

File Name: P:\Projects\2011\11-0107-32-E04-Rev 1.dwg - Tab: E04 Plotted By: Dderoch 12/03/01 [Thu 2:31pm]

EQUIPMENT SCHEDULE

EQUIPMENT TAG	EQUIPMENT			DESCRIPTION	LOCATION	POWER REQUIREMENTS				SUPPLY PANEL				CABLE				STARTER			LOCAL DISC.			CONTROL			NOTES						
	SUPPLIED	INSTALLED	CONNECTED			HP	KW	FLA	VOLTAGE	PHASE	PANEL NAME	BREAKER	DISCONNECT SWITCH	TIME-DELAY FUSE	POLES	NUMBER OF RUNS	NUMBER OF WIRES	WIRE SIZE (COPPER)	CONDUIT SIZE	SIZE	TYPE	SUPPLIED	INSTALLED	CONNECTED	TYPE	SUPPLIED		INSTALLED	CONNECTED				
																														HP	KW	FLA	VOLTAGE
B-1	M	M	F	BOILER 1	MECHANICAL ROOM			12	208	1	PM-1	20			2	1	2	12	16mm					NFD	E	E	E	DDC	M	M	M	1	
B-2	M	M	F	BOILER 2	MECHANICAL ROOM			5	120	1	PM-1	15			1	1	2	12	16mm					NFD	E	E	E	DDC	M	M	M	1	
B-3	M	M	F	BOILER 3	MECHANICAL ROOM			17	120	1	PM-1	30			1	1	2	10	16mm					NFD	E	E	E	DDC	M	M	M	1	
B-4	M	M	F	BOILER 4	MECHANICAL ROOM			17	120	1	PM-1	30			1	1	2	10	16mm					NFD	E	E	E	DDC	M	M	M	1	
PU-1	M	M	E	SYSTEM CIRCULATION PUMP	MECHANICAL ROOM	7.5			208	3	PM-1	60			3	1	3	8	21mm		VFD	E	E	E				PS	M	M	E	1,2,5,6	
PU-2	M	M	E	SYSTEM CIRCULATION PUMP (100% BACKUP)	MECHANICAL ROOM	7.5			208	3	PM-1	60			3	1	3	8	21mm		VFD	E	E	E				PS	M	M	E	1,2,5,6	
PU-3	M	M	E	SYSTEM CIRCULATION PUMP	MECHANICAL ROOM	7.5			208	3	PM-1	60			3	1	3	8	21mm		VFD	E	E	E				PS	M	M	E	1,2,5,6	
PU-4	M	M	E	SYSTEM CIRCULATION PUMP (100% BACKUP)	MECHANICAL ROOM	7.5			208	3	PM-1	60			3	1	3	8	21mm		VFD	E	E	E				PS	M	M	E	1,2,5,6	
PU-5	M	M	E	BOILER CIRC PUMP	MECHANICAL ROOM	1.5			208	3	MCC-1			15	3	1	3	12	16mm	1	FVNR	E	E	E	NFD	E	E	E	DDC	M	M	M	1,3
PU-6	M	M	E	BOILER CIRC PUMP	MECHANICAL ROOM	0.75			208	3	MCC-1			15	3	1	3	12	16mm	1	FVNR	E	E	E	NFD	E	E	E	DDC	M	M	M	1,3
WMU-1	M	M	E	WATER MAKEUP UNIT	MECHANICAL ROOM		0.05		115	1	PM-1	15			1	1	2	12	16mm								PS	M	M	M	1,9		
WMU-2	M	M	E	WATER MAKEUP UNIT	MECHANICAL ROOM		0.05		115	1	PM-1	15			1	1	2	12	16mm								PS	M	M	M	1,9		

EQUIPMENT SCHEDULE LEGEND

- O OWNER
- E ELECTRICAL CONTRACTOR
- M MECHANICAL CONTRACTOR
- LVT LOW VOLTAGE THERMOSTAT
- LT LINE VOLTAGE THERMOSTAT
- RAT REVERSE ACTING THERMOSTAT
- HTS HUMIDITY TIMER SWITCH
- VS VARIABLE SPEED SWITCH
- LS LINE VOLTAGE SWITCH
- COS CO/VG GAS SENSOR
- FS FLOAT SWITCH
- PS PRESSURE SWITCH
- HOA HAND/OFF/AUTO SWITCH
- TC TIME CLOCK
- VFD VARIABLE FREQUENCY DRIVE
- MAG MAGNETIC STARTER
- MAN MANUAL STARTER
- DDC DIRECT DIGITAL CONTROL
- FD FUSED DISCONNECT
- NFD NON-FUSED DISCONNECT
- ECP EQUIPMENT CONTROL PANEL
- FVNR FULL VOLTAGE NON-REVERSING
- PB PUSHBUTTON

NOTES:

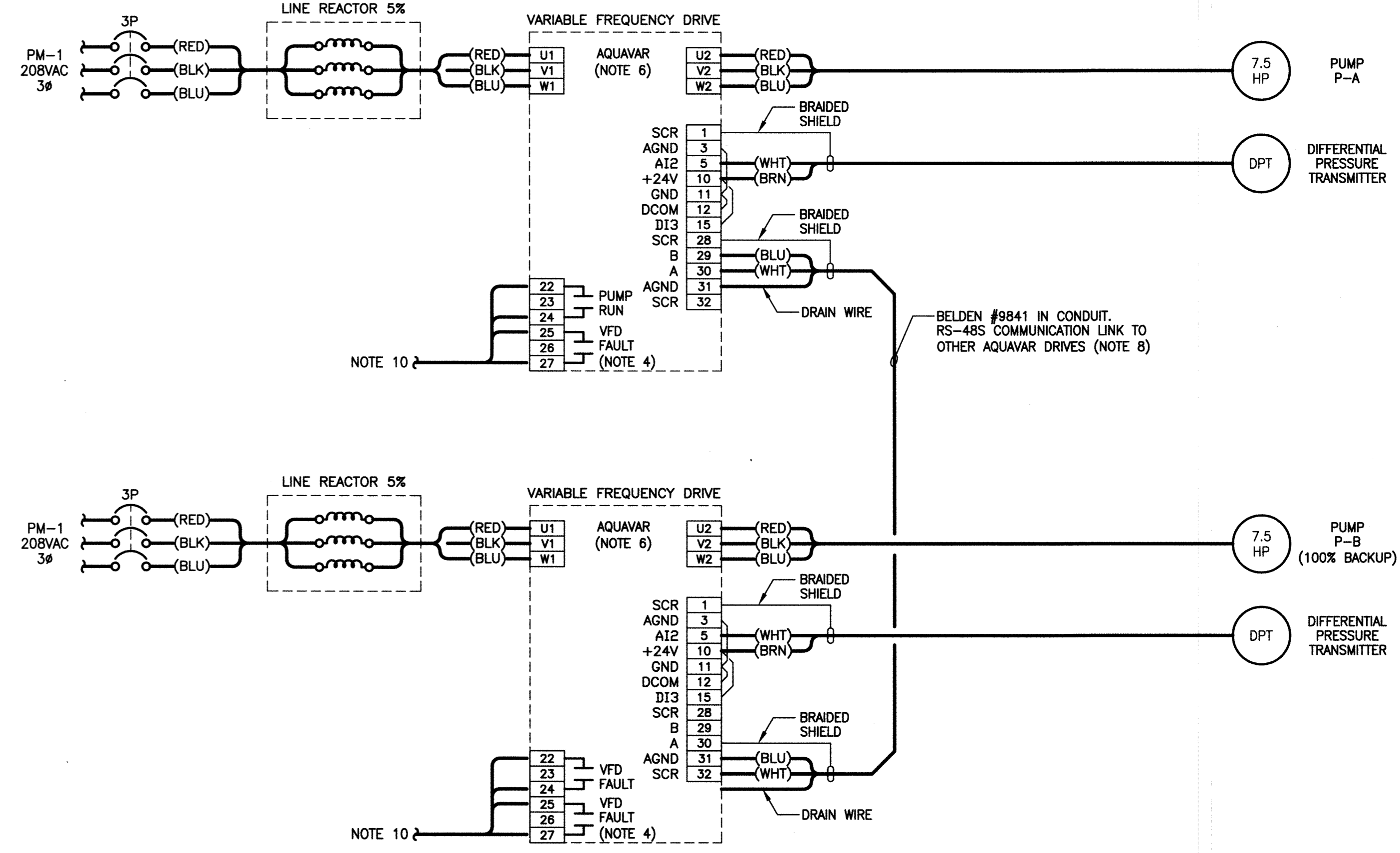
1. REFER TO THE MECHANICAL DRAWINGS FOR LOCATION OF ALL MECHANICAL EQUIPMENT.
2. REFER TO PANEL SCHEDULES FOR CIRCUIT NUMBERS.
3. CONTRACTOR TO RE-USE THE EXISTING STARTERS WITHIN MCC-1 TO FEED THE NEW EQUIPMENT. CONTRACTOR TO PROVIDE ALL NEW FUSING AND PARTS AS REQUIRED FOR A COMPLETE AND OPERATIONAL SYSTEM.
4. PROGRAMMABLE RELAY 'R3' IS TO BE HELD CLOSED FOR NORMAL OPERATION AND SHALL OPEN ON FAULT OR LOSS OF POWER.
5. REFER TO THE MECHANICAL DRAWINGS AND SPECIFICATIONS FOR A FULL SEQUENCE OF OPERATION AND CONTROL FOR THE TWO PUMP SYSTEMS. THE CONTRACTOR IS RESPONSIBLE FOR ALL PROGRAMMING, JUMPERS AND ADDITIONAL EQUIPMENT TO PROVIDE A COMPLETE AND FULL OPERATION SYSTEM TO CERTIFY THE REQUIRED SEQUENCE OF OPERATION IS MET.
6. PROVIDE AN AQUAVAR #CPC20241 OR APPROVED EQUIVALENT IN ACCORDANCE TO B6.
7. PROVIDE 120V POWER FROM PANEL PM-1 FOR ALL CONTROL PANELS AS REQUIRED. CONTRACTOR TO COORDINATE WITH THE CONTROLS SUBCONTRACTOR FOR EXACT QUANTITY.
8. FOLLOW MANUFACTURER'S RECOMMENDATIONS FOR CONNECTION OF COMMUNICATION LINK AND SETTING OF DIP SWITCHES.
9. EQUIPMENT IS COMPLETE WITH A PLUG TYPE CONNECTION. CONTRACTOR TO PROVIDE A RECEPTACLE TO MATCH. RECEPTACLE TO BE MOUNTED ON THE UNISTRUT FRAME.
10. CONTRACTOR TO EXTEND BACK TO THE FACILITY METASYS CONTROL PANEL LOCATED ON EAST WALL OF MECHANICAL ROOM.

SUPPLY: 208V 3Ø 4W
 MAINS AMPACITY: 225
 INCOMING: BREAKER LUGS
 MAIN BREAKER REQUIRED: YES NO
 MAIN BREAKER AMPS:
 BUS MATERIAL: COPPER ALUMINUM
 BUS AND BREAKER RATING: 25ka

NAME PLATE:
PANEL 'PM - 1'

LOCATION: MECHANICAL ROOM ON COLUMN
 MOUNTING: SURFACE FLUSH
 MANUFACTURER:
 MODEL NO:
 BREAKER: PLUG-IN BOLT-ON
 TVSS: YES NO
 SERVICE ENTRANCE RATED: YES NO

REV	DATE	BY	DESCRIPTION	VA	P	BKR	A	B	C	BKR	P	VA	CCT	REV	
1													1		
B	3		SYSTEM CIRCULATION PUMP PU-1	8718	3	60				60	3	8718	2	B	
B	7		SYSTEM CIRCULATION PUMP (100% BACKUP) PU-2	8718	3	60				60	3	8718	8	B	
B	9		SYSTEM CIRCULATION PUMP (100% BACKUP) PU-4	8718	3	60				60	3	8718	10	B	
B	13		BOILER B-1	2496	2	20				15	1	50	14	B	
B	17		BOILER B-2	624	1	15				15	1	50	18	B	
B	19		BOILER B-3	2064	1	30				25	3	5000	20	B	
B	21		BOILER B-4	2064	1	30				25	3	5000	22	B	
B	23												24	B	
B	25												26	B	
B	27												28	B	
B	29												30	B	
B	31												32	B	
B	33												34	B	
B	35		SPARE		1	15				20	1		36	B	
B	37		SPARE		1	15				20	1		38	B	
B	39		SPARE		1	15				15	1		40	B	
B	41		SPARE		1	15				15	1		42	B	
				LOAD 'A'			LOAD 'B'			LOAD 'C'					
				16,653			16,653			16,653					



(A) TYPICAL VFD SYSTEM WIRING SCHEMATIC
SCALE: NTS



B.M. ELEV.	KGS GROUP		CONSULTING ENGINEERS & PROJECT MANAGERS		ENGINEER'S SEAL
	DESIGNED BY: CLS	CHECKED BY:	WINNIPEG (204) 896-1209	THUNDER BAY (807) 345-2233	THE ORIGINAL ISSUE REV. 0 WAS STAMPED, DATED AND SIGNED
	DRAWN BY: GCN	APPROVED BY:	BY: C.P. SURGEONER	ON: 12/02/24	Y/M/D
			HOR. SCALE: AS SHOWN	RELEASED FOR CONSTRUCTION:	CONSULTANT DRAWING NO. E04
			VERTICAL:	DATE:	
1	RE-ISSUED FOR TENDER	12/03/01			
0	ISSUED FOR TENDER	12/02/24			
NO.	REVISIONS	DATE	BY	DATE	

THE CITY OF WINNIPEG
 PLANNING, PROPERTY & DEVELOPMENT

PROJECT TITLE: **ST. JAMES CENTENNIAL POOL**
 644 PARKDALE STREET
 BID OPPORTUNITY: 45-2012
 UPGRADE HYDRONIC HEATING SYSTEM

MECHANICAL EQUIPMENT SCHEDULE, PANEL SCHEDULE AND VFD SCHEMATIC

SHEET OF **004** OF **004**

COMPUTER FILE NAME: **11-0107-32-E04**

CITY DRAWING NUMBER