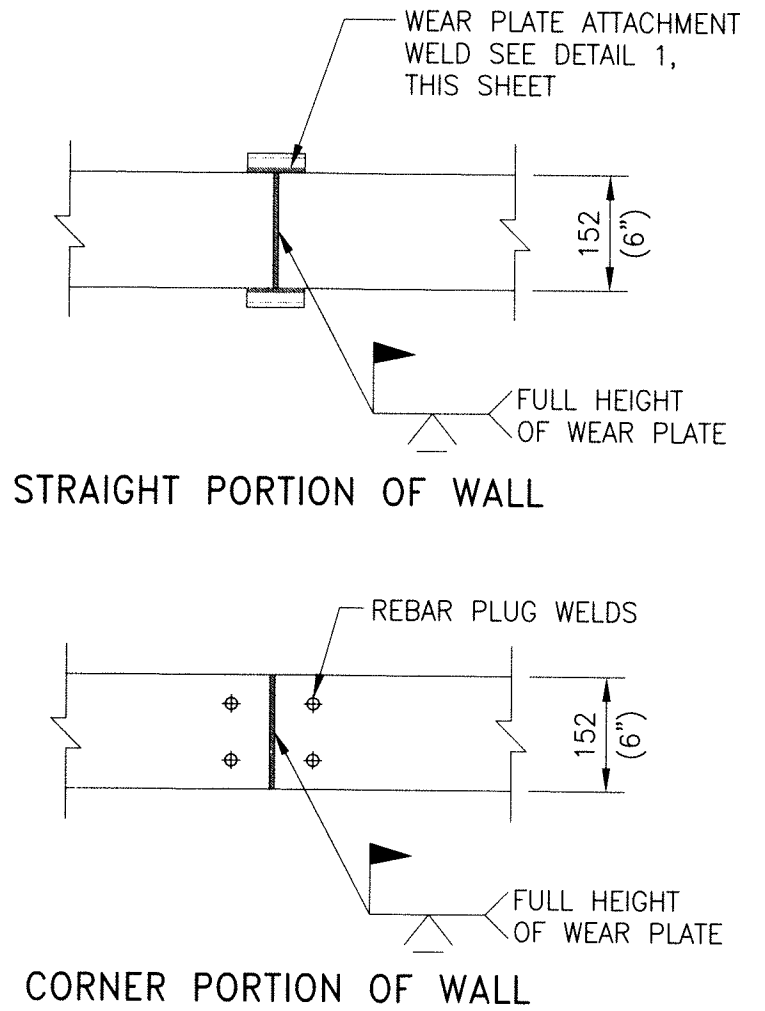
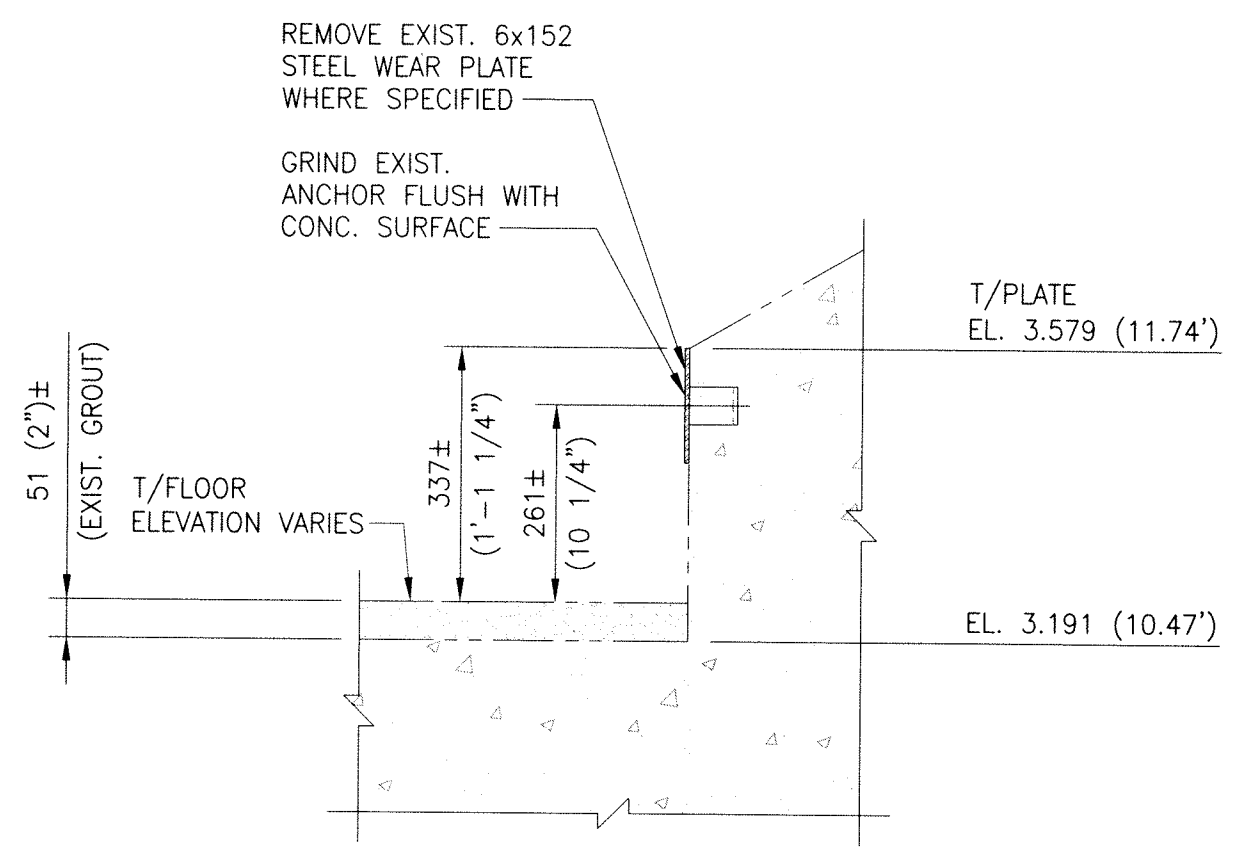


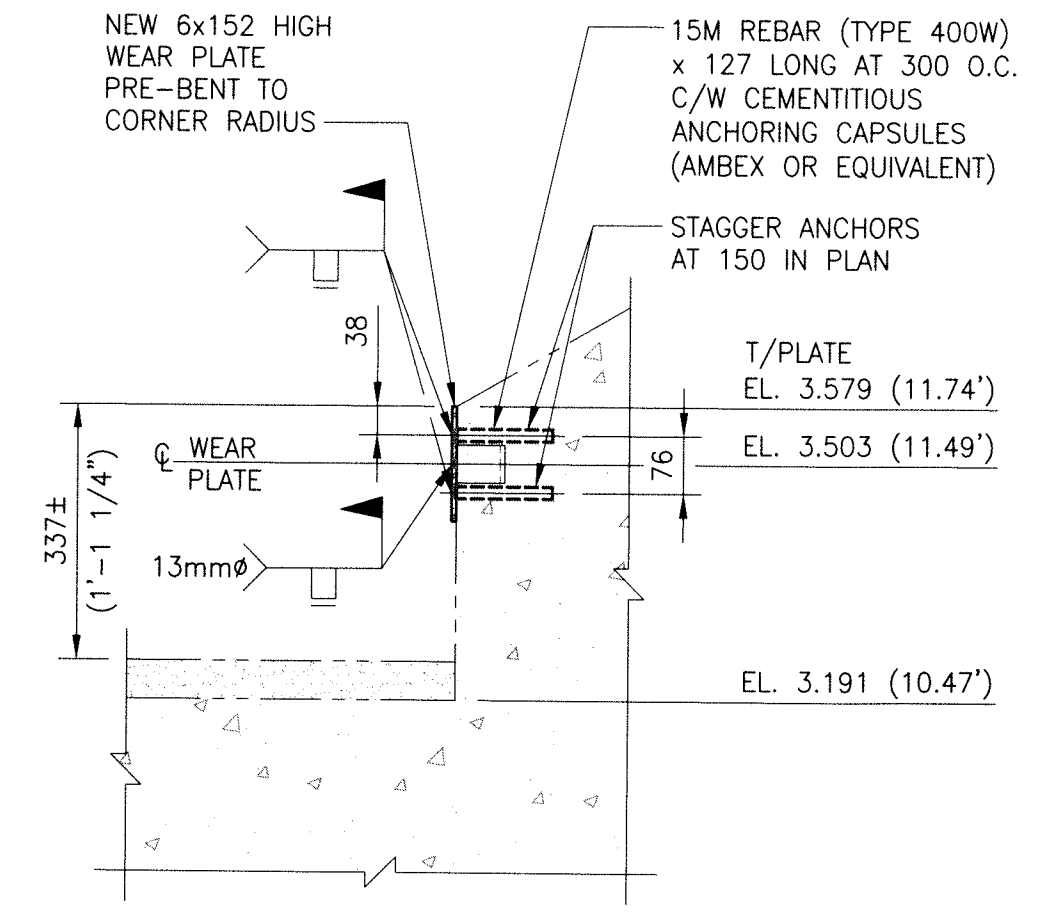
1 DETAIL - WEAR PLATE STRAIGHT PORTION OF WALL
SCALE: 1:10



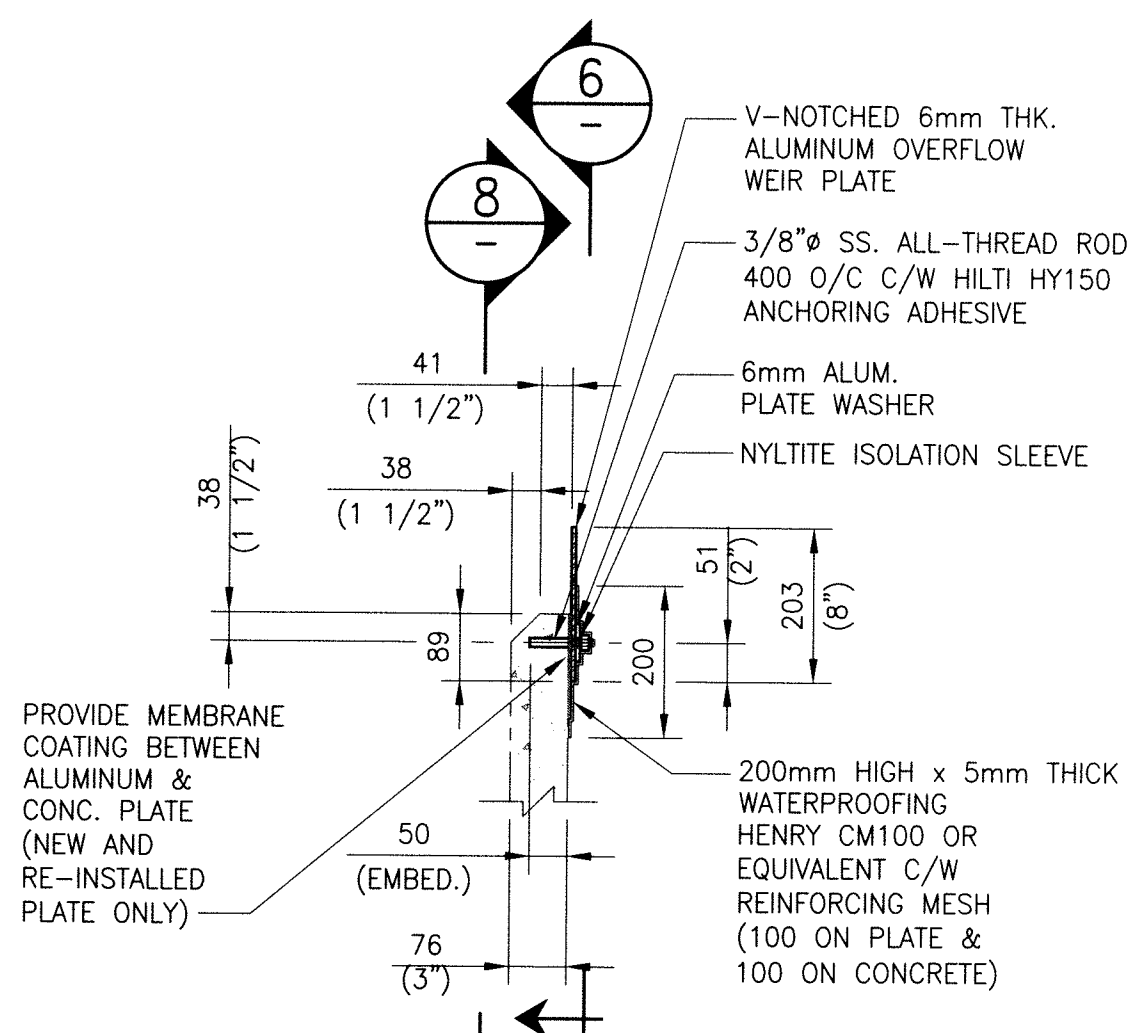
2 DETAIL - WEAR PLATE SPLICE
SCALE: 1:10



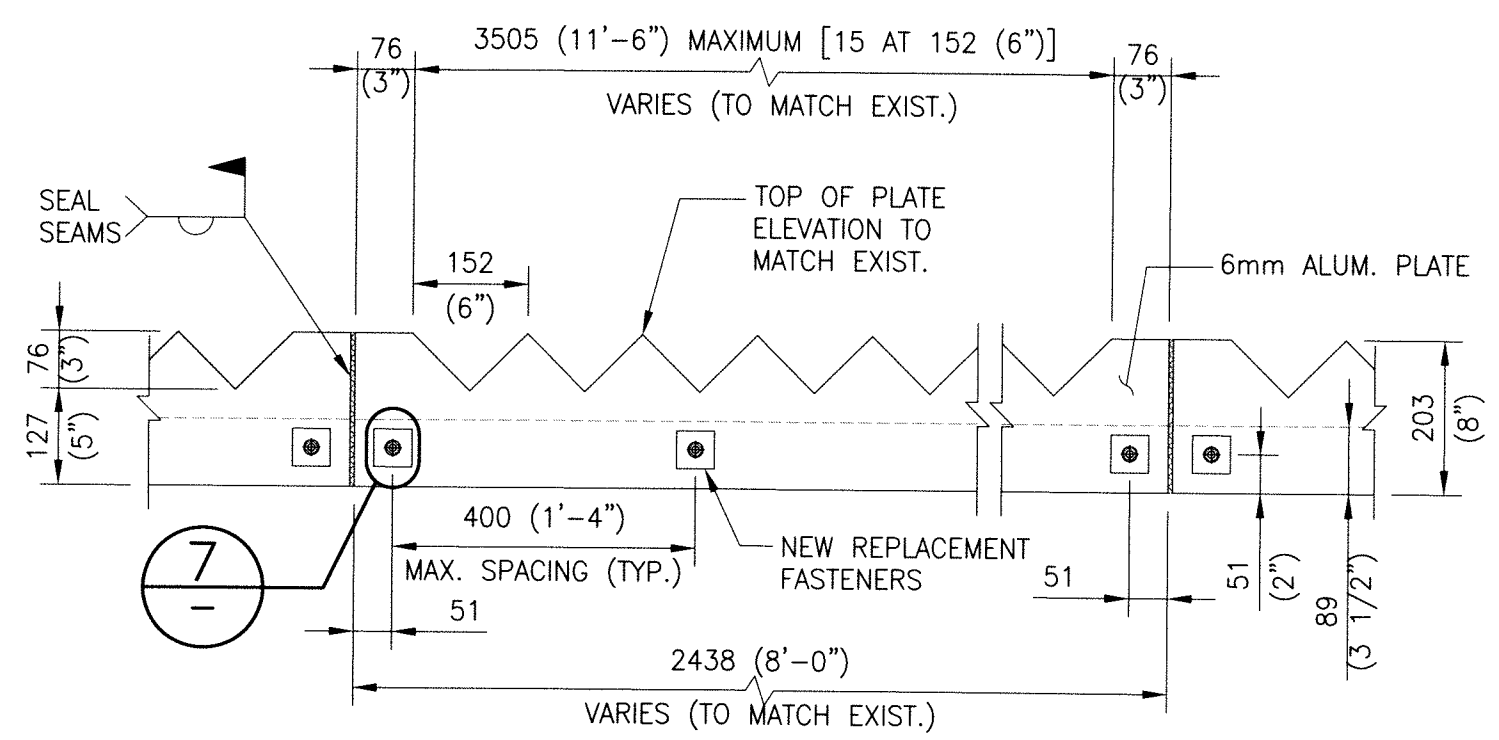
3 DETAIL - WEAR PLATE CORNER PORTION OF WALL (EXIST.)
SCALE: 1:10



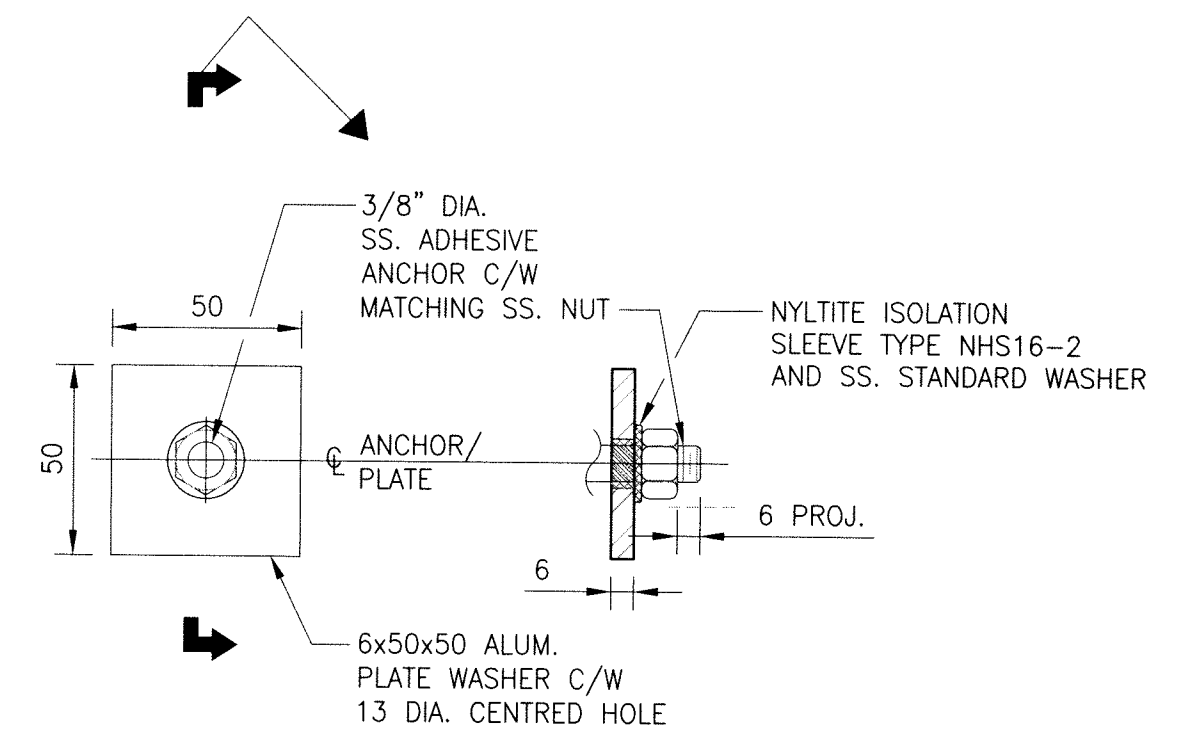
4 DETAIL - WEAR PLATE CORNER PORTION OF WALL (NEW)
SCALE: 1:10



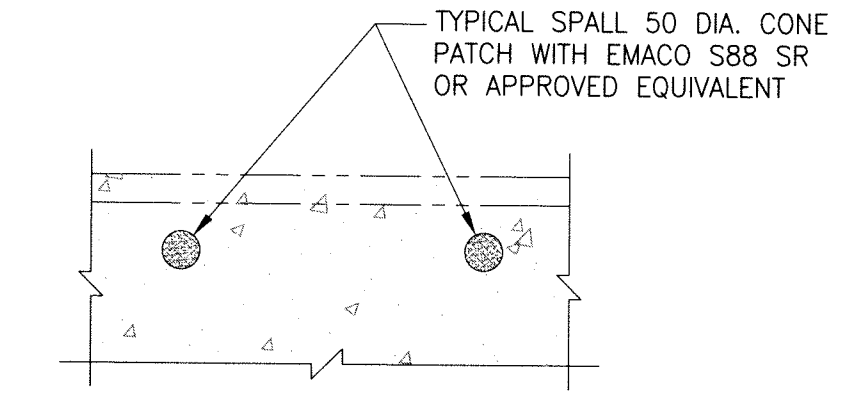
5 DETAIL - OVERFLOW WEIR PLATE
SCALE: 1:10



6 DETAIL - TYPICAL OVERFLOW WEIR PLATE
SCALE: 1:10

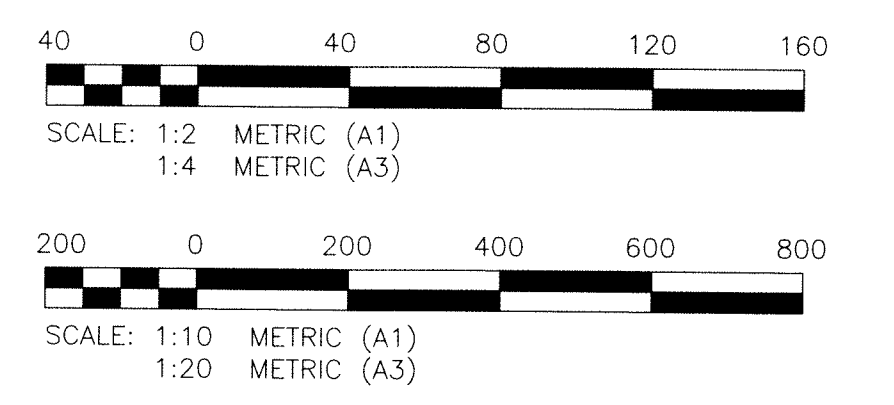


7 DETAIL - PLATE WASHERS
SCALE: 1:2

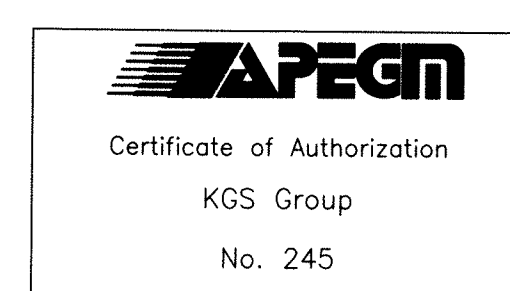


8 DETAIL - SPALL REPAIRS
SCALE: 1:10

- NOTES:**
1. WORK THIS DRAWING IN COMBINATION WITH THE PROJECT SPECIFICATIONS.
 2. REFER TO DWG. S02 FOR GENERAL NOTES.
 3. REFER TO CLARIFIER PLANS TO DETERMINE QUANTITIES.

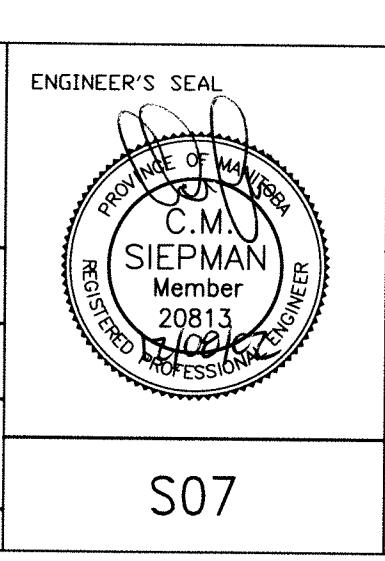


METRIC
WHOLE NUMBERS INDICATE MILLIMETRES
DECIMALIZED NUMBERS INDICATE METRES



NO.	REVISIONS	DATE	BY	DATE
0	ISSUED FOR CONSTRUCTION	12/08/02	CMS	
				2011 07 15

		DESIGNED BY	KRD	CHECKED BY	CMS
		DRAWN BY	FBV	APPROVED BY	
HDR. SCALE: AS NOTED VERTICAL: AS NOTED		RELEASED FOR CONSTRUCTION			



THE CITY OF WINNIPEG
WATER AND WASTE DEPARTMENT

NEWPCC
SECONDARY CLARIFIERS 7 TO 10 REHABILITATION
WEIR & WEAR PLATES
DETAILS

SHEET 7 OF 10
CITY DRAWING NUMBER
1-0101S-S0007-001