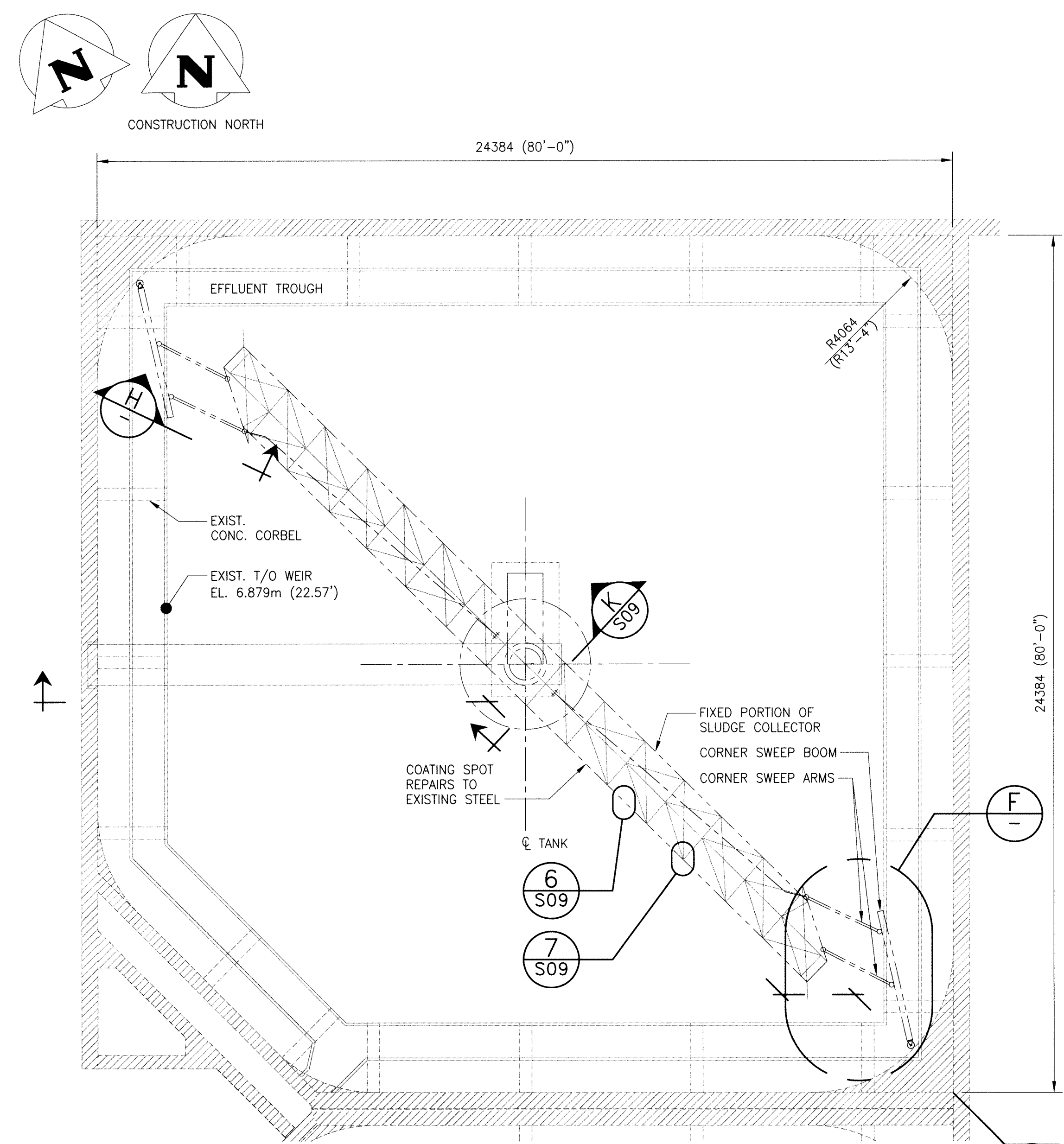
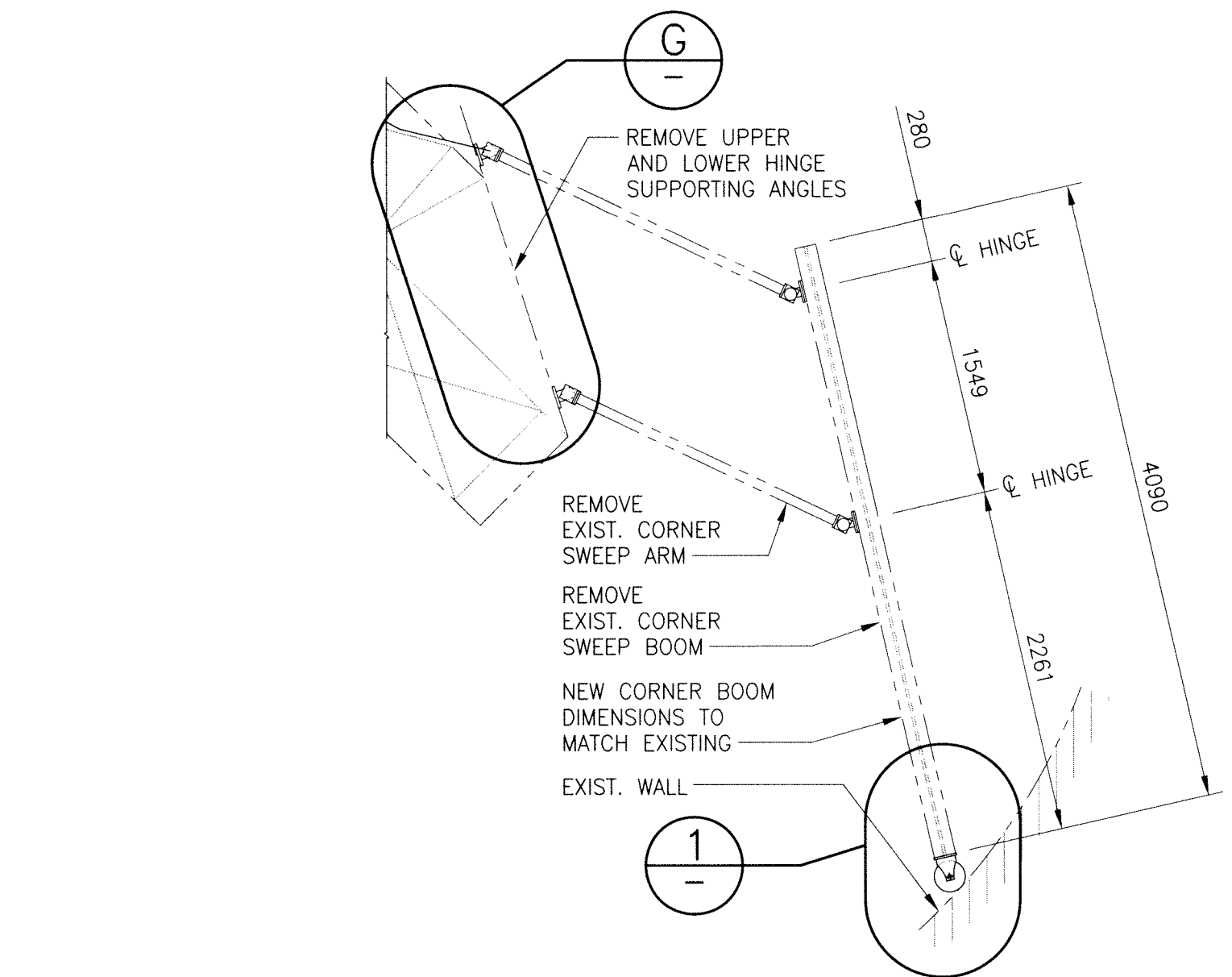


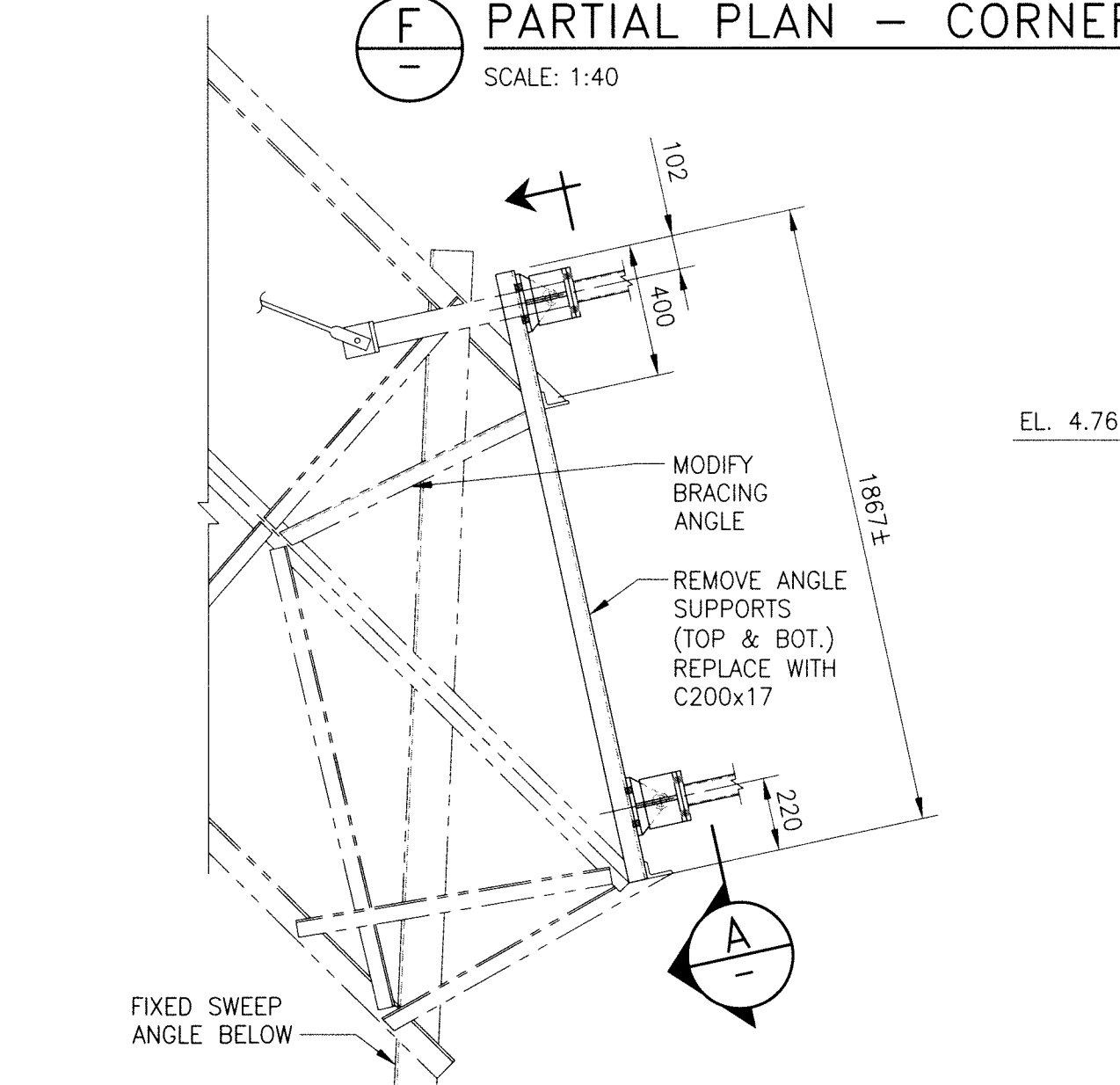
File Name: \\w-file-2\p-data\Projects\2011\11-0107-31\Doc\Control\ToBeIssued\DWG\1-0101S-S0008-001.dwg - Tab: S08 Plotted By: DDeroche 08/02/2012 [Thu 4:28pm]



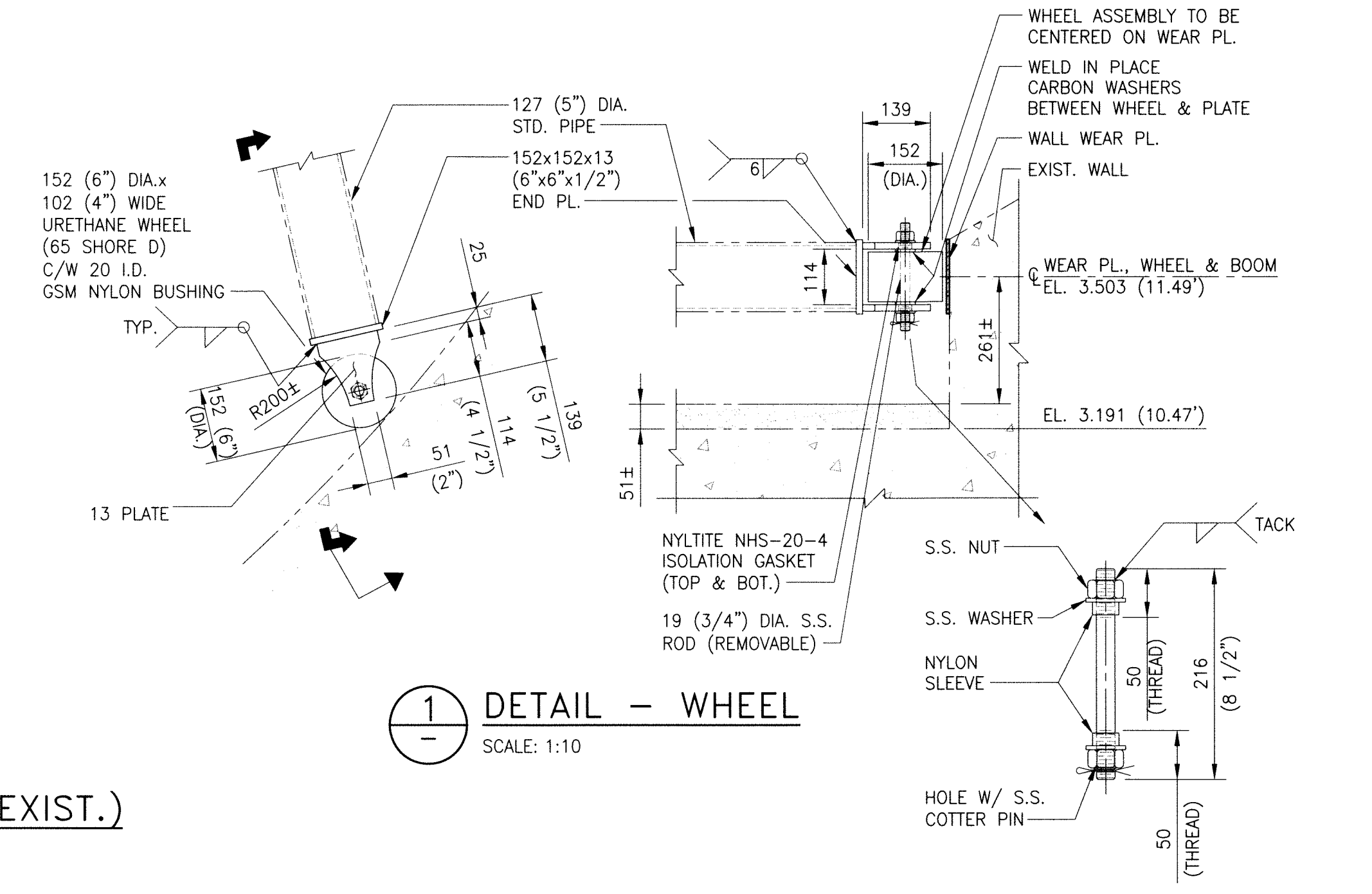
PLAN - SLUDGE COLLECTOR
SCALE: 1:100



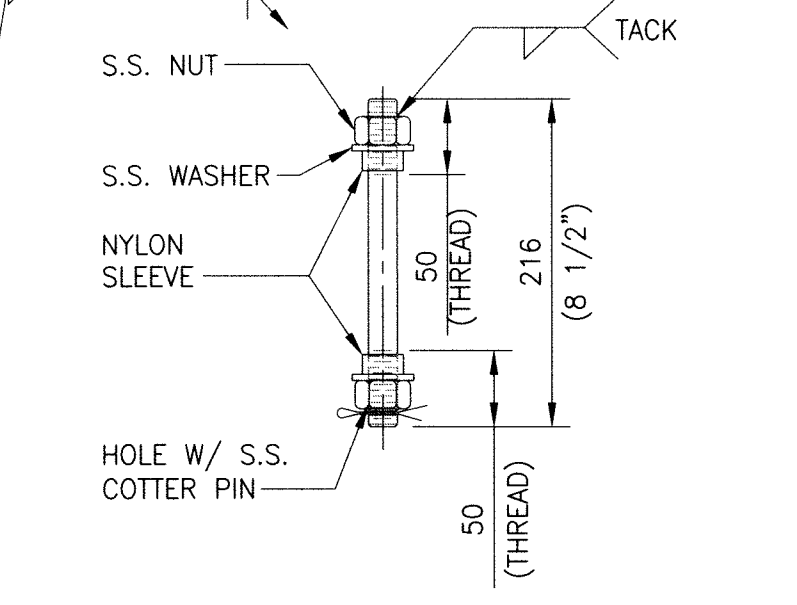
F PARTIAL PLAN - CORNER SWEEP (EXIST.)
SCALE: 1:40



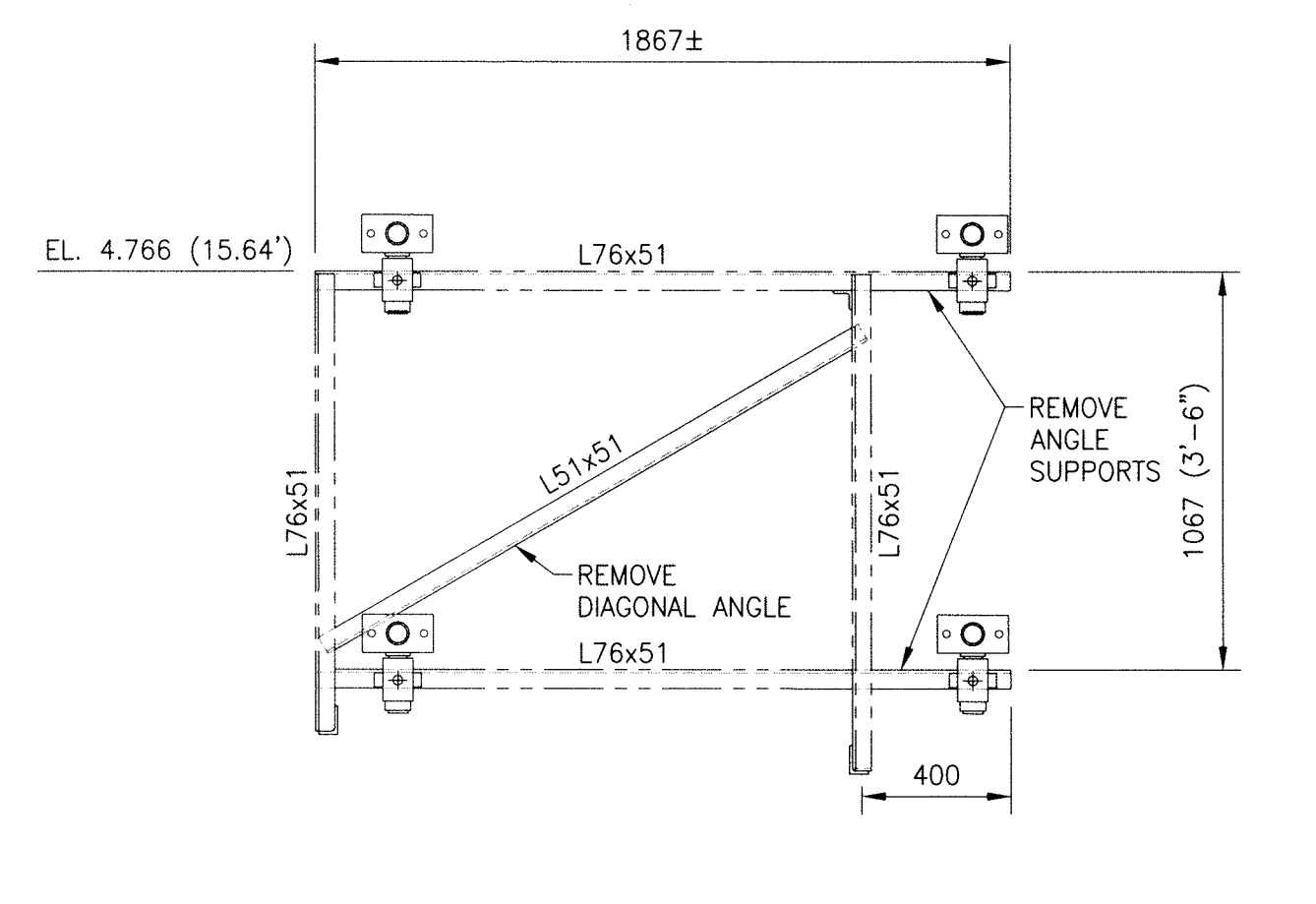
G DETAIL - PIVOT SUPPORT MEMBER
SCALE: 1:20



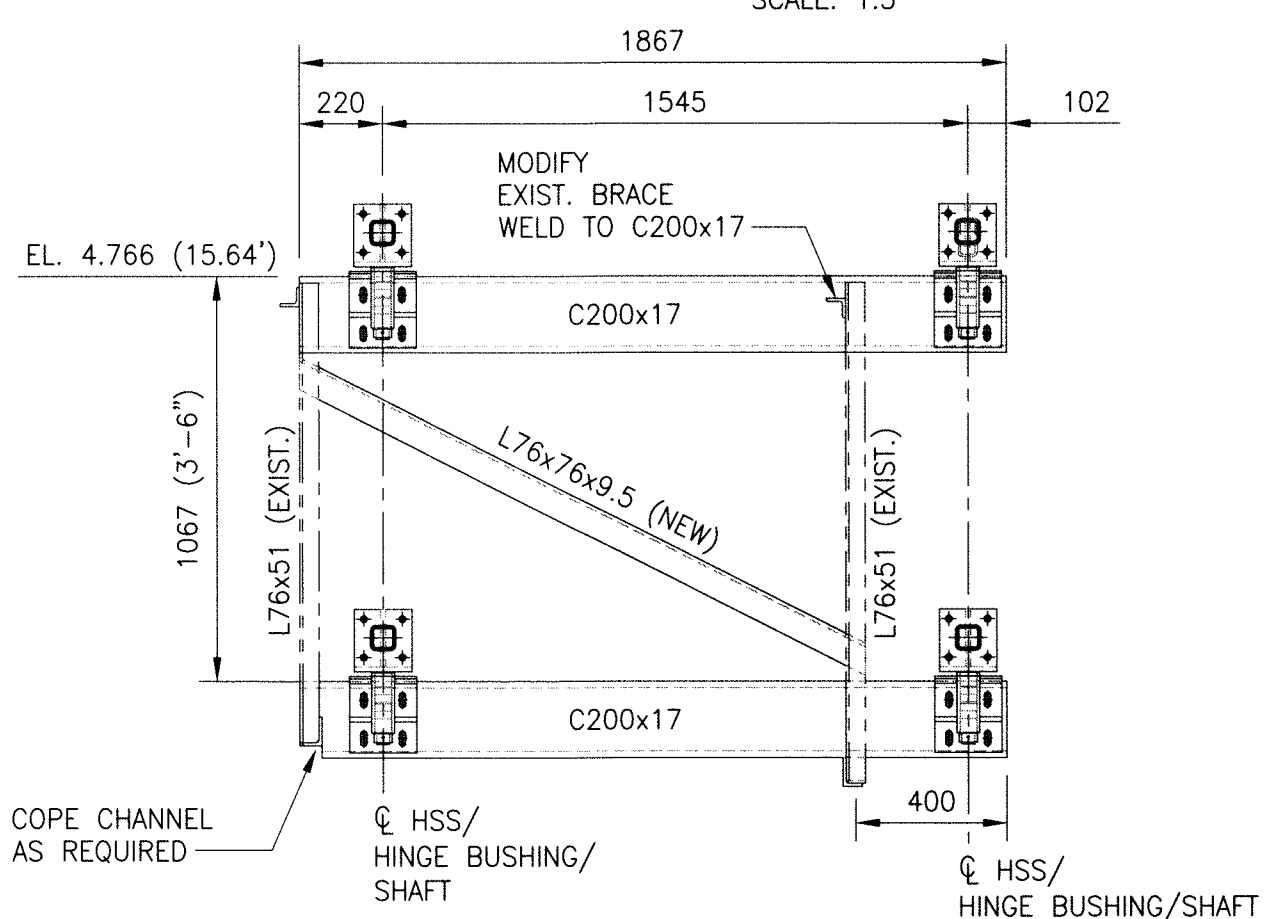
1 DETAIL - WHEEL
SCALE: 1:10



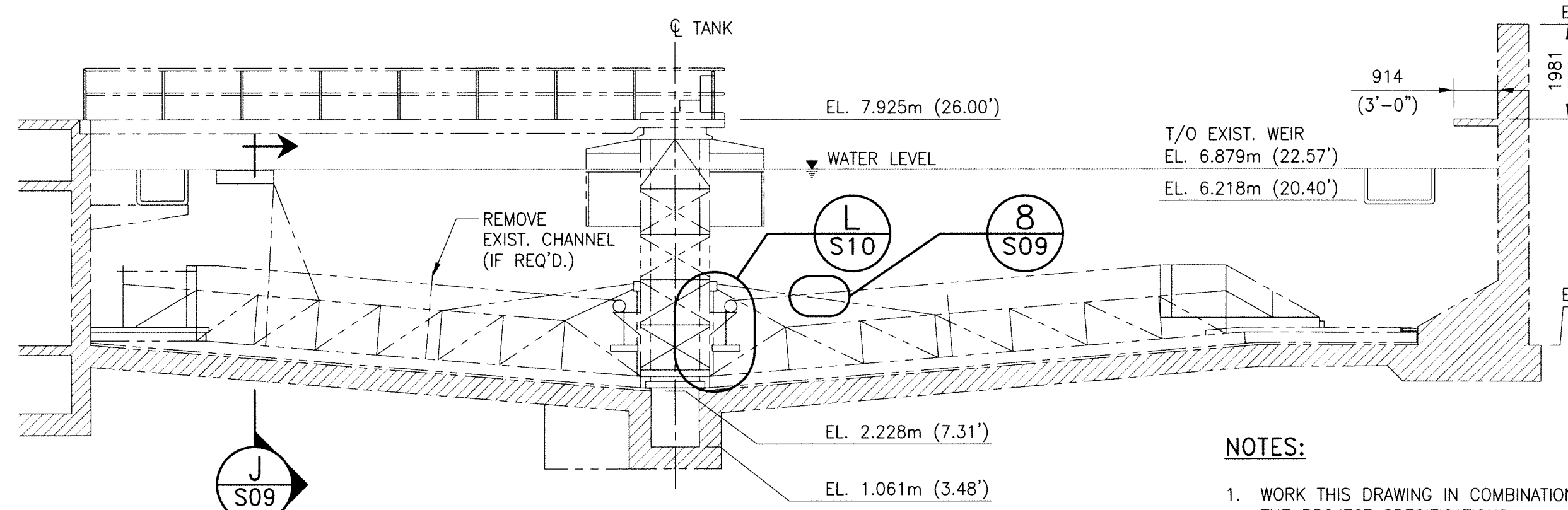
WHEEL SHAFT
SCALE: 1:5



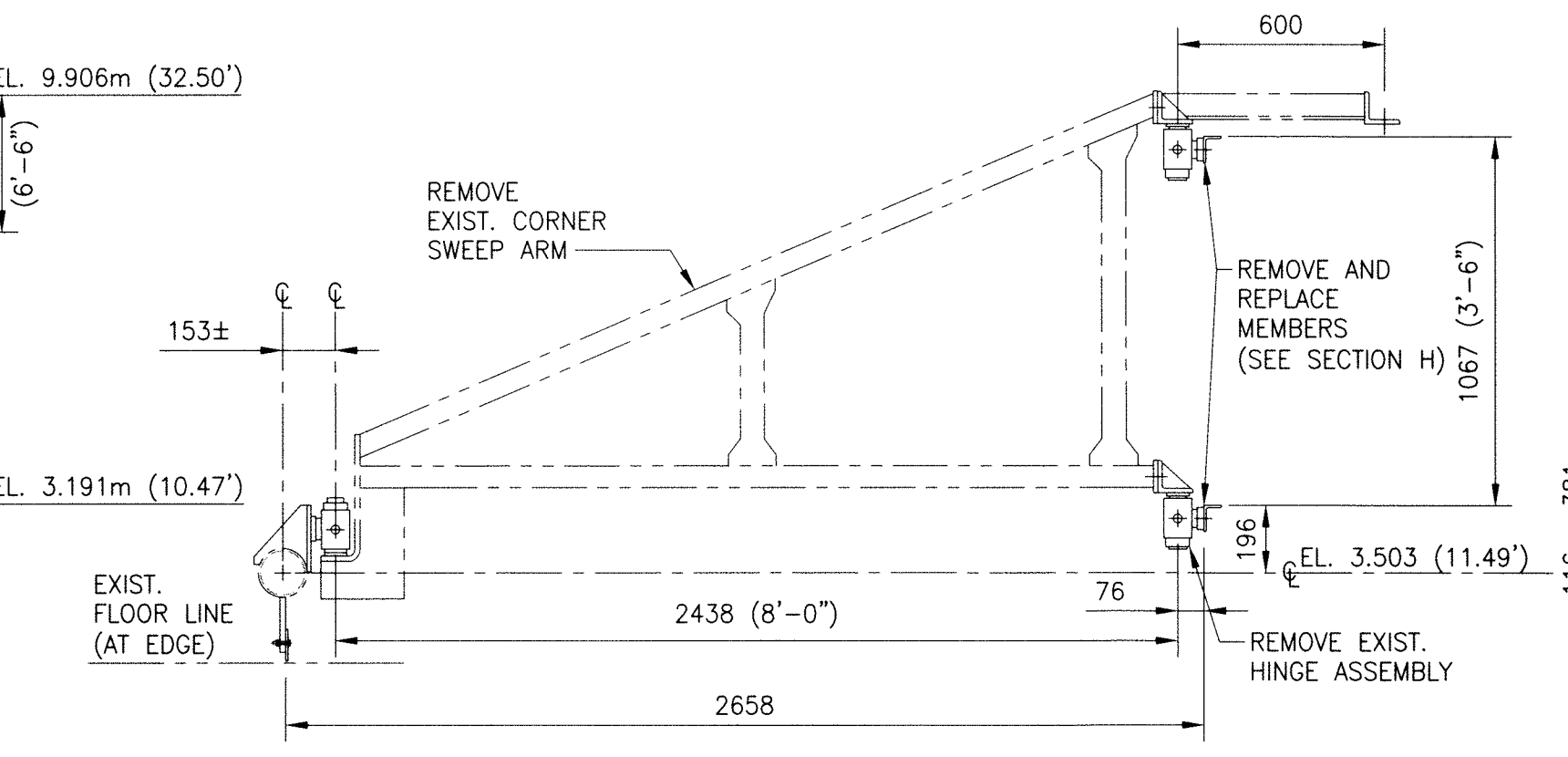
A1 PIVOT SUPPORT MEMBERS (EXIST.)
SCALE: 1:20



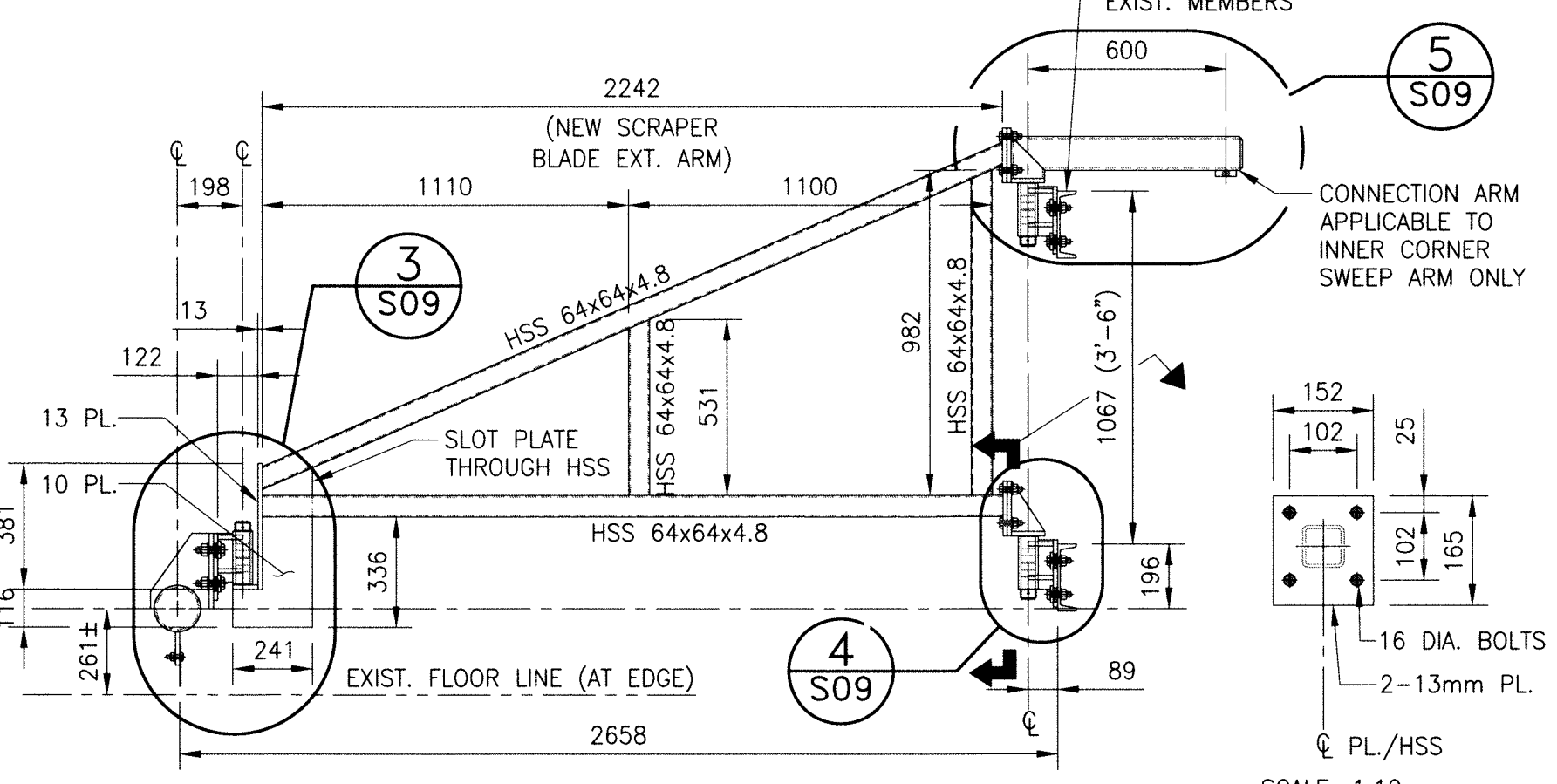
A1 PIVOT SUPPORT MEMBERS (NEW)
SCALE: 1:20



E SECTION - SLUDGE COLLECTOR
SCALE: 1:100

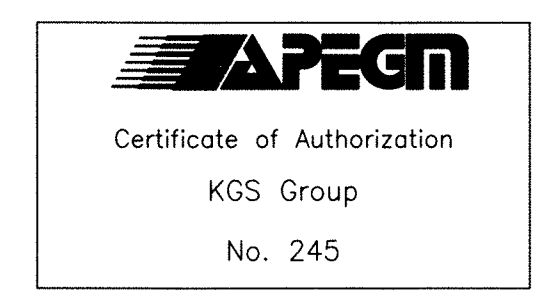
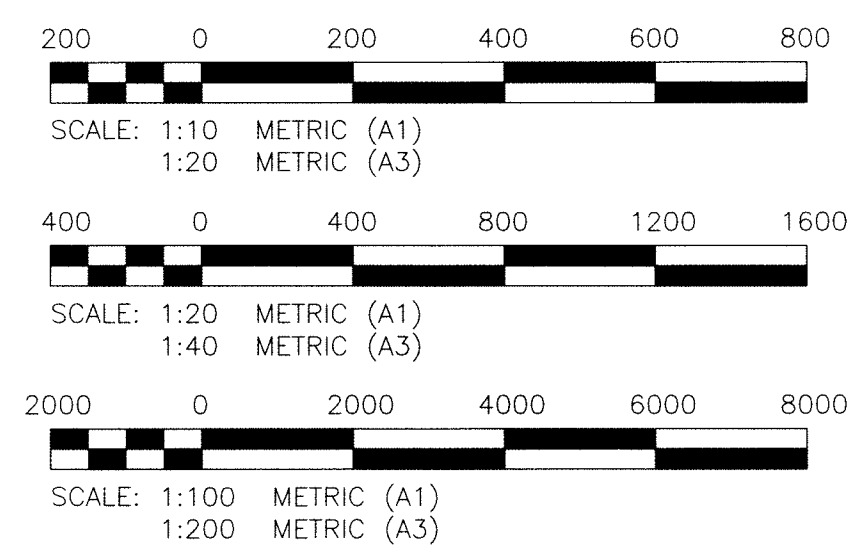


H SECTION - CORNER SWEEP ARM (EXIST.)
SCALE: 1:20



H SECTION - CORNER SWEEP ARM (NEW)
SCALE: 1:20

- NOTES:**
1. WORK THIS DRAWING IN COMBINATION WITH THE PROJECT SPECIFICATIONS.
 2. REFER TO DWG. S02 FOR GENERAL NOTES.
 3. REPAIR LOCATIONS, DIMENSIONS AND QUANTITIES ARE APPROXIMATE AND ARE TO BE FIELD CONFIRMED BY THE CONTRACTOR AND APPROVED BY THE CONTRACT ADMINISTRATOR.



FIELD BOOK #		KGS GROUP CONSULTING ENGINEERS		ENGINEER'S SEAL	
DESIGNED BY	KRD	CHECKED BY	CMS		
DRAWN BY	FBV	APPROVED BY			
HDR. SCALE	AS NOTED	RELEASED FOR CONSTRUCTION			
ISSUED FOR CONSTRUCTION	12/08/08	CMS	2011 07 15	S08	
REVISIONS	DATE	BY	DATE		

THE CITY OF WINNIPEG
WATER AND WASTE DEPARTMENT

NEWPCC
SECONDARY CLARIFIERS 7 TO 10 REHABILITATION
SLUDGE COLLECTOR
PLAN, SECTIONS & DETAILS

SHEET 8 OF 10
CITY DRAWING NUMBER
1-0101S-S0008-001