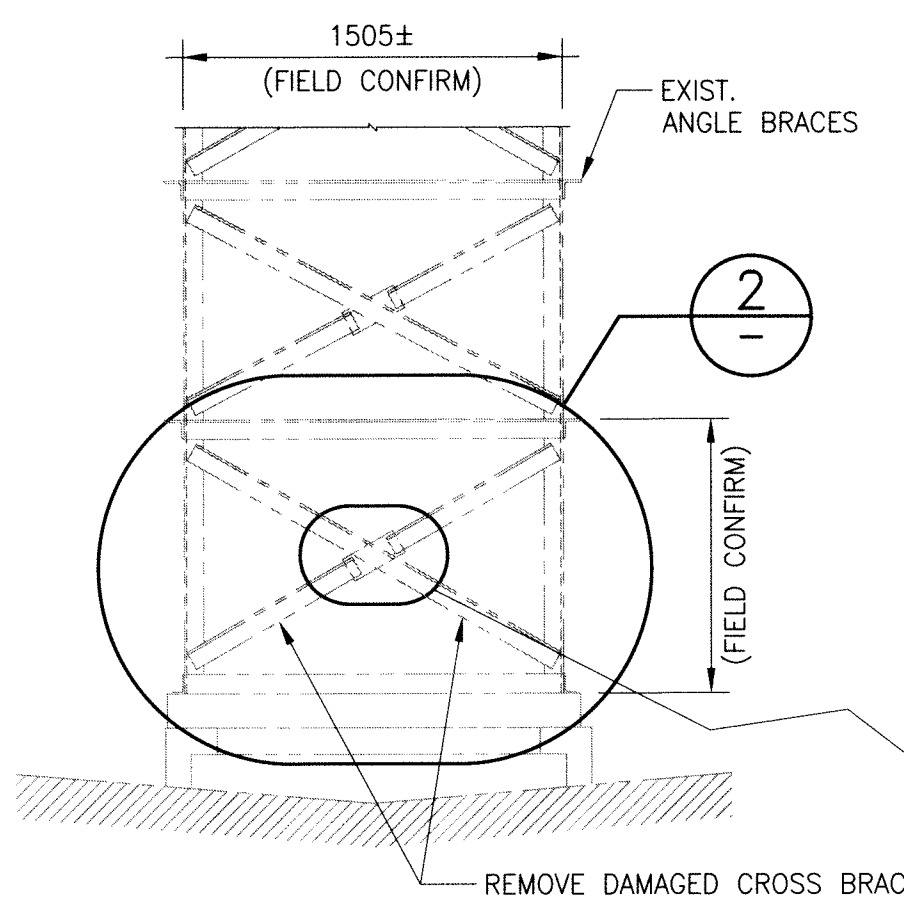
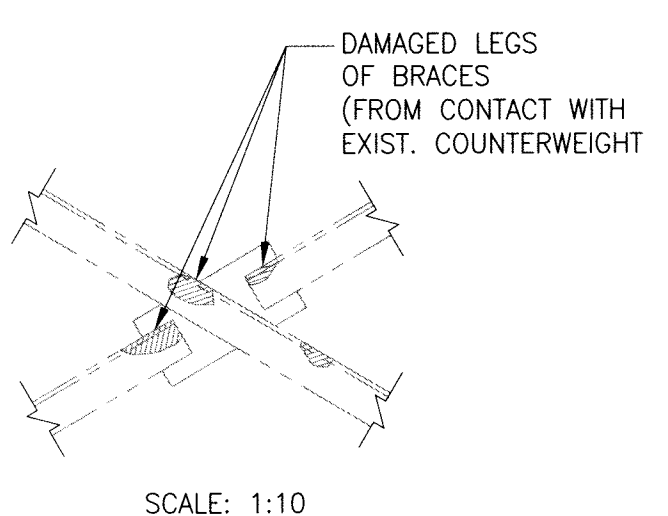


CW-9-M564-1  
 File Name: \\k-file-2p-data-projects\2011\11-0107-31\Doc.Control\ToBeIssued\DWG\1-0101S-S0009-001.dwg - Tab: S09 Plotted By: DDeroche 08/02/2012 [Thu 4:28pm]

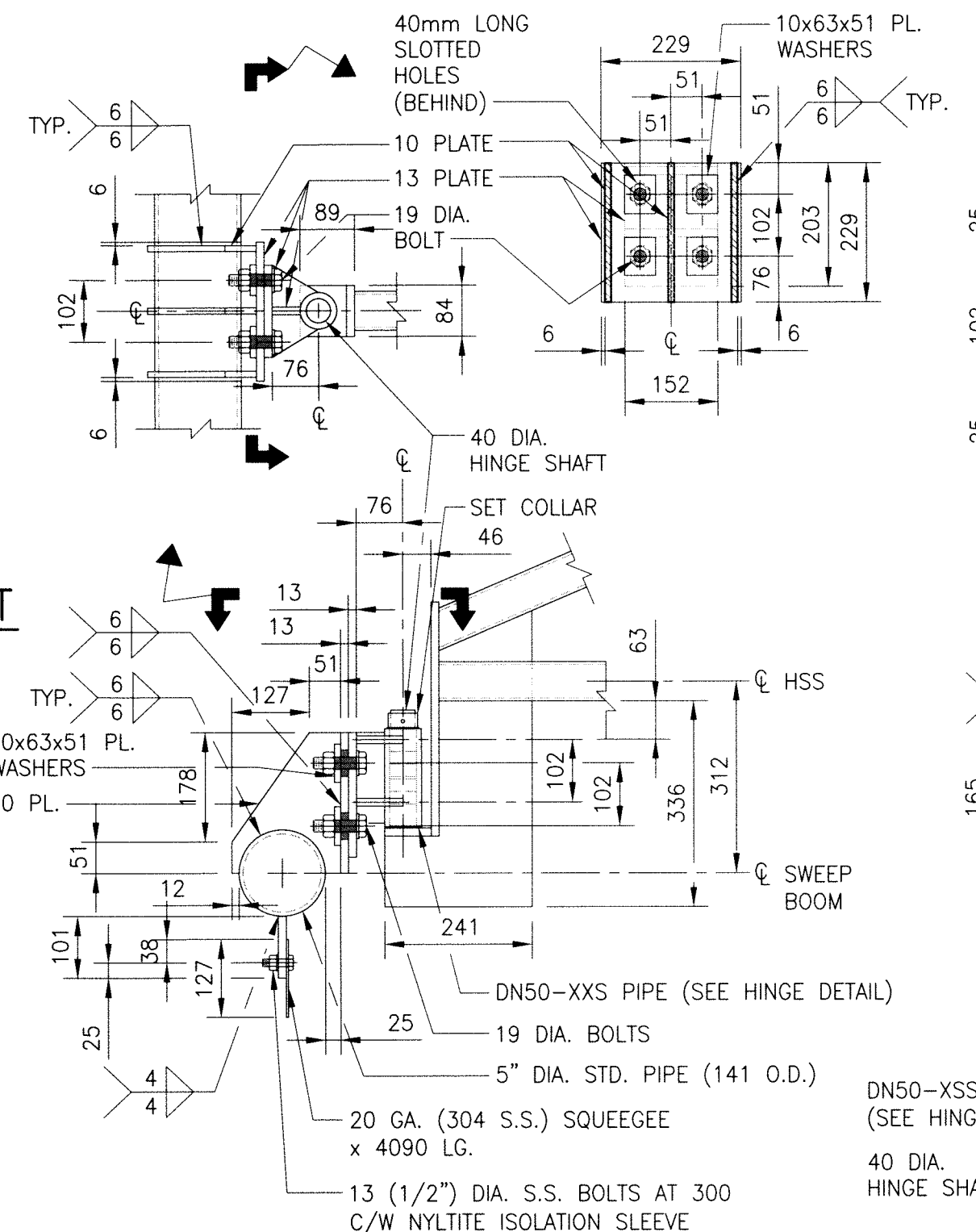


**K**  
**S08** PARTIAL SECTION - TOWER STEEL  
SCALE: 1:30

**2**  
**1** DETAIL - CROSS BRACE REPLACEMENT  
SCALE: 1:20



SCALE: 1:10

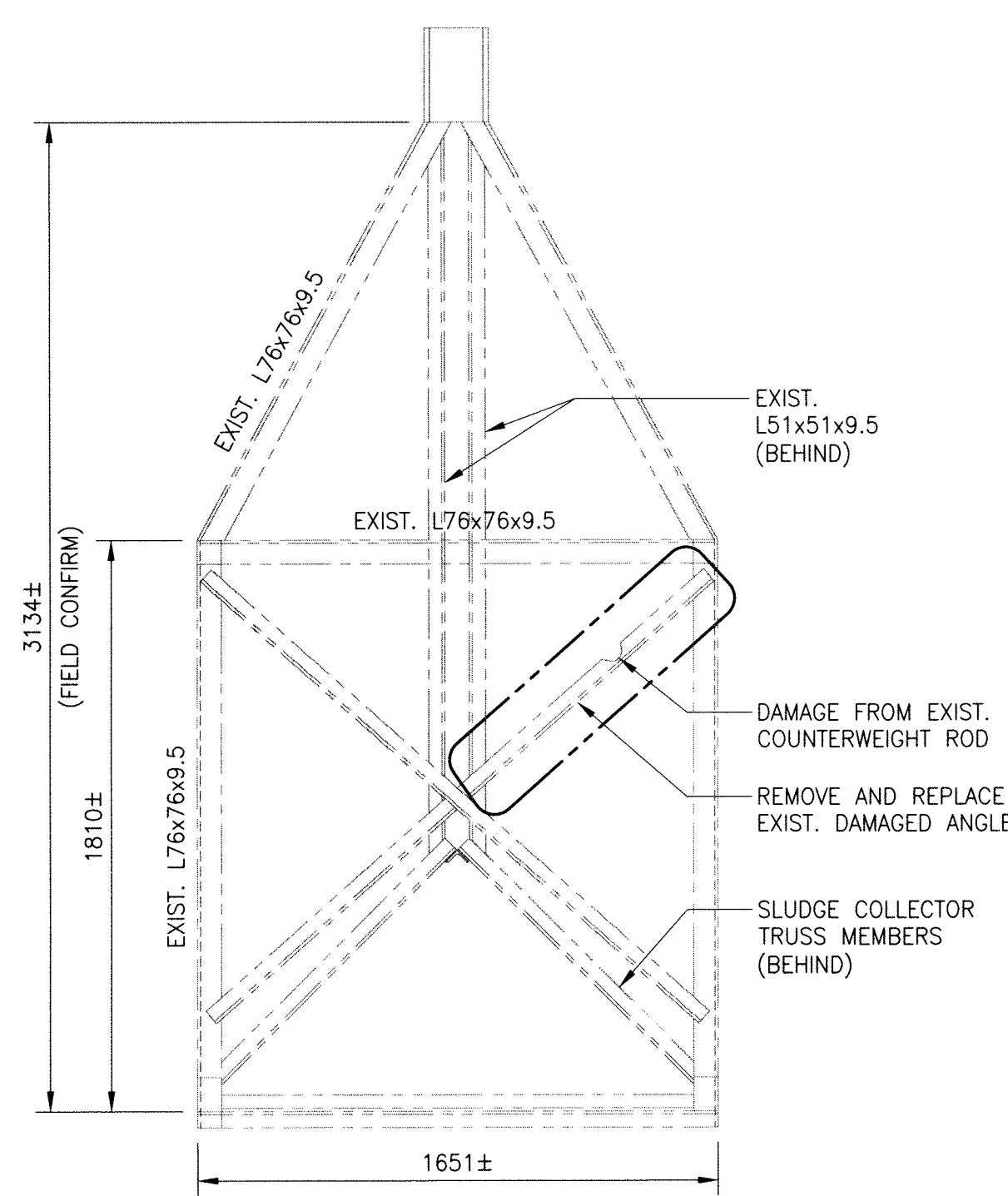


**3**  
**S08** DETAIL - HINGE (NEW)  
SCALE: 1:10

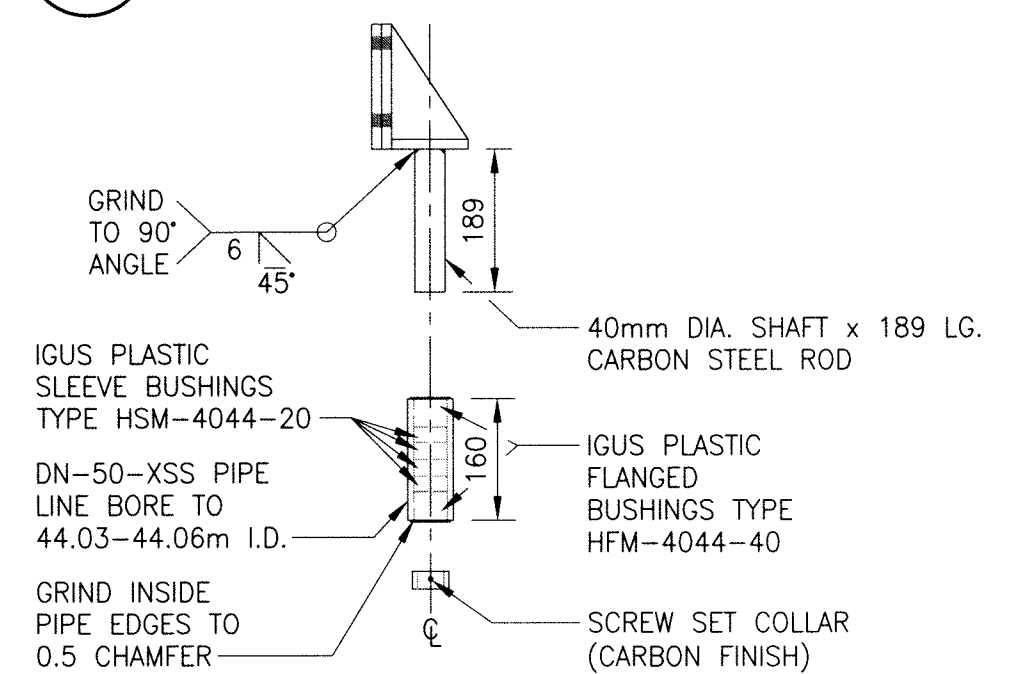
**4**  
**S08** DETAIL - HINGE (NEW)  
SCALE: 1:10

**5**  
**S08** DETAIL - HINGE (NEW)  
SCALE: 1:10

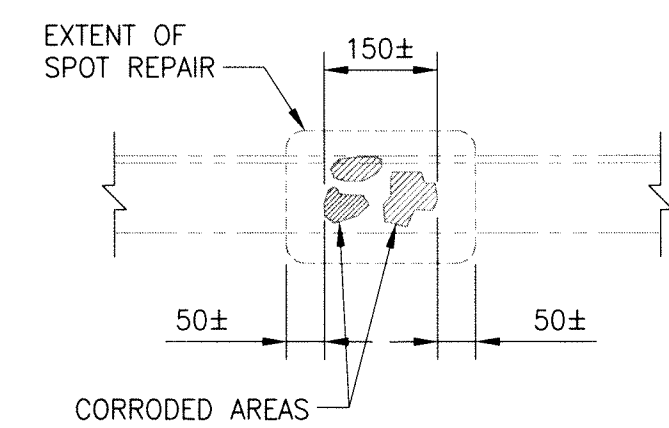
DETAIL - STRUCTURAL WASHER  
SCALE: 1:10



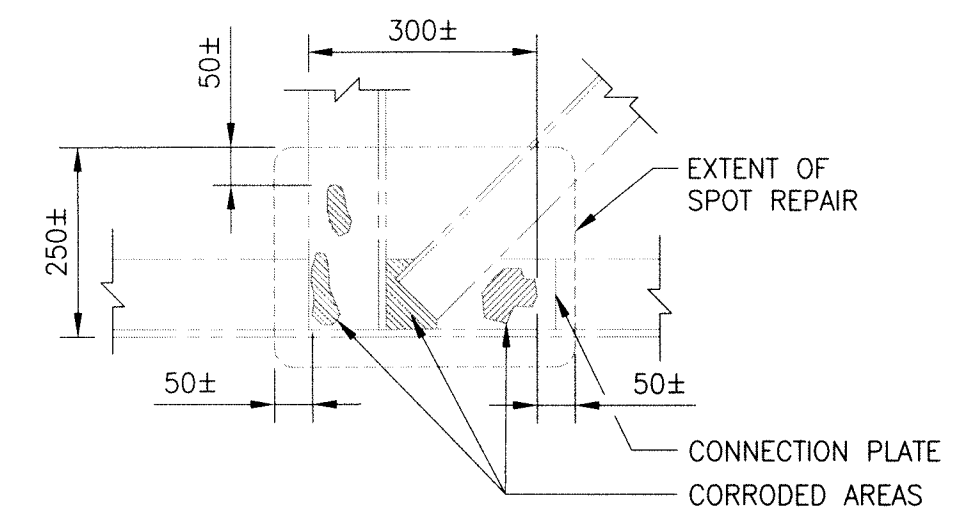
**J**  
**S08** PARTIAL SECTION - SCUM COLLECTOR SUPPORT  
SCALE: 1:20



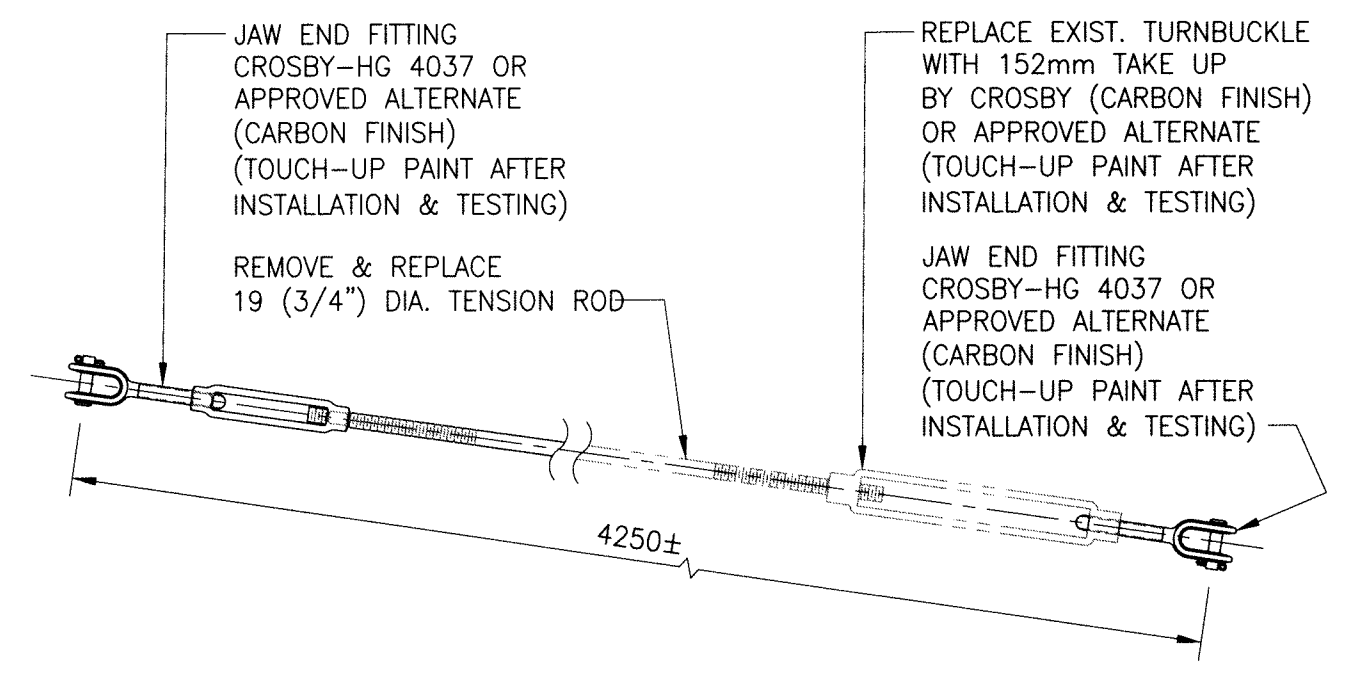
DETAIL - HINGE (TYPICAL)  
SCALE: 1:10



**6**  
**S08** TYPICAL COATING SPOT REPAIR - STRAIGHT AREAS  
SCALE: 1:10

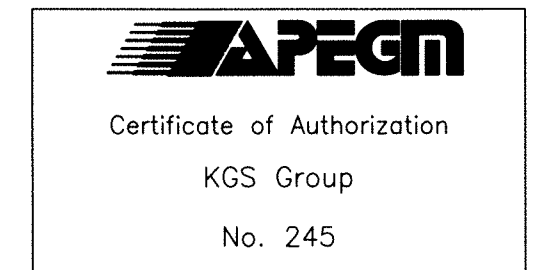
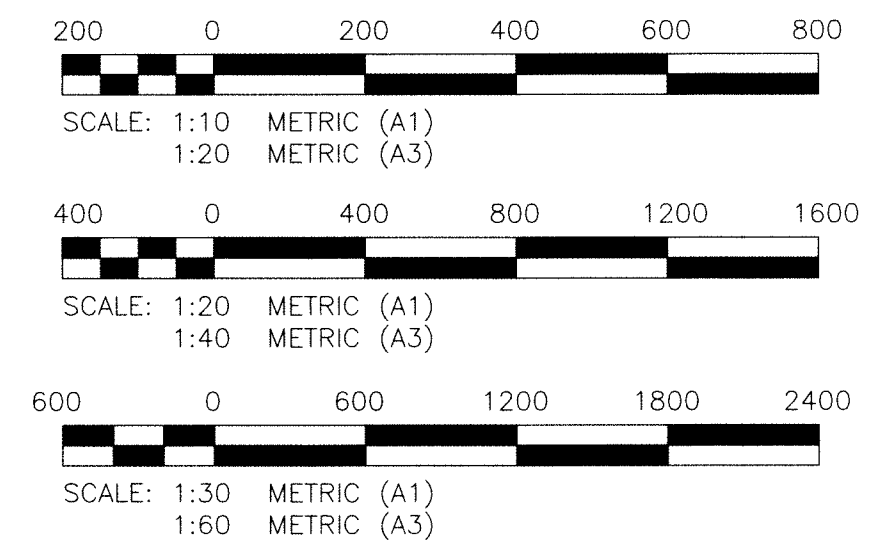


**7**  
**S08** TYPICAL COATING SPOT REPAIR - CONNECTION AREAS  
SCALE: 1:10



**8**  
**S08** DETAIL - SLUDGE COLLECTOR TENSION ROD SUPPORT  
SCALE: 1:10

- NOTES:**
- WORK THIS DRAWING IN COMBINATION WITH THE PROJECT SPECIFICATIONS.
  - REFER TO DWG. S02 FOR GENERAL NOTES.
  - REPAIR LOCATIONS, DIMENSIONS AND QUANTITIES ARE APPROXIMATE AND ARE TO BE FIELD CONFIRMED BY THE CONTRACTOR AND APPROVED BY THE CONTRACT ADMINISTRATOR.



FIELD BOOK #:			ENGINEER'S SEAL
POSTED TO LBIS			
DESIGNED BY	KRD	CHECKED BY	CMS
DRAWN BY	FBV	APPROVED BY	
HDR. SCALE	AS NOTED	RELEASED FOR CONSTRUCTION	
VERTICAL SCALE	AS NOTED	DATE	2011 07 15
ISSUED FOR CONSTRUCTION	12/08/08	DATE	
NO. REVISIONS		DATE	

**THE CITY OF WINNIPEG**  
 WATER AND WASTE DEPARTMENT  
 NEWPCC  
 SECONDARY CLARIFIERS 7 TO 10 REHABILITATION  
**SLUDGE COLLECTOR**  
 SECTIONS & DETAILS  
 SHEET 9 OF 10  
 CITY DRAWING NUMBER  
 1-0101S-S0009-001