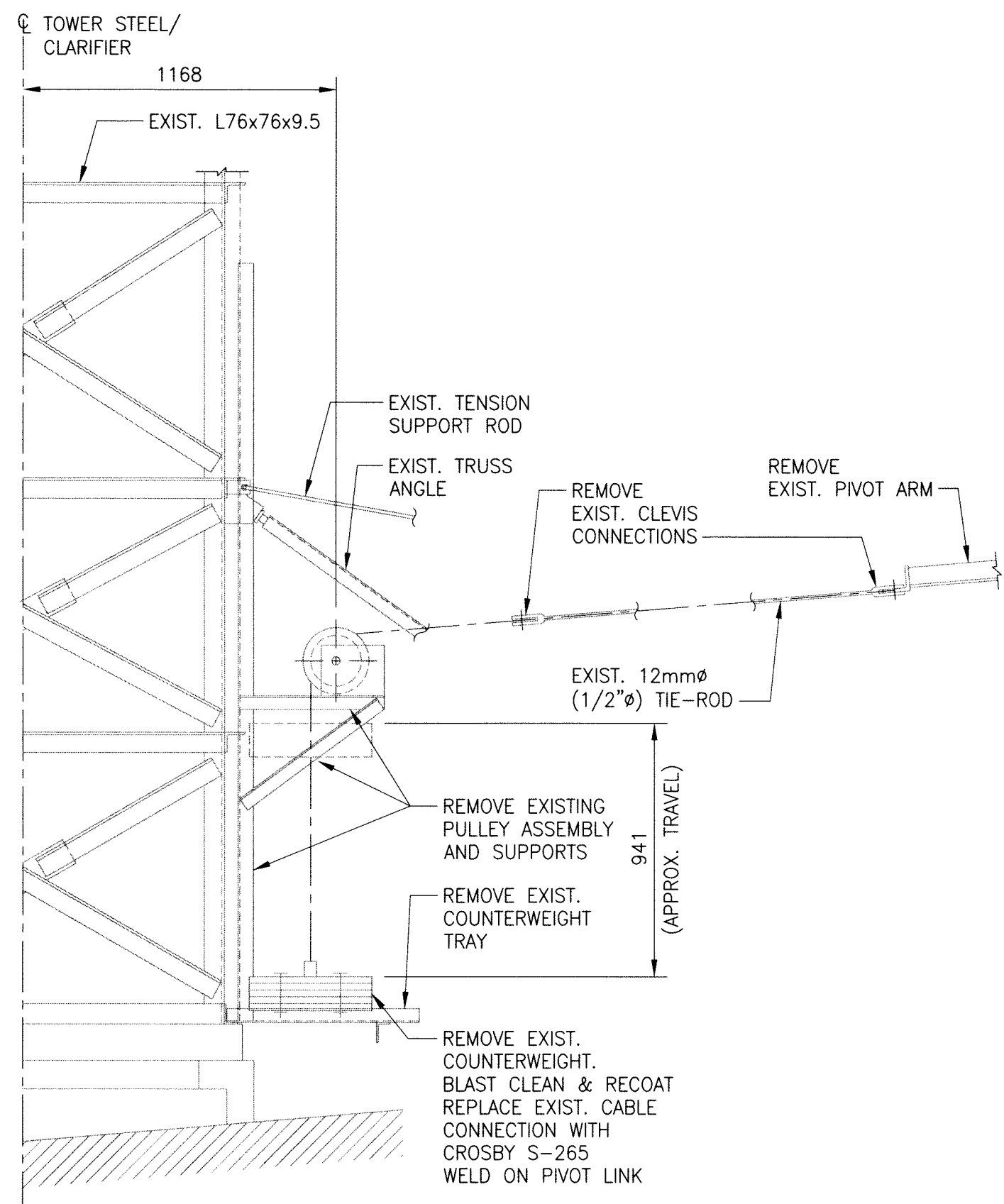
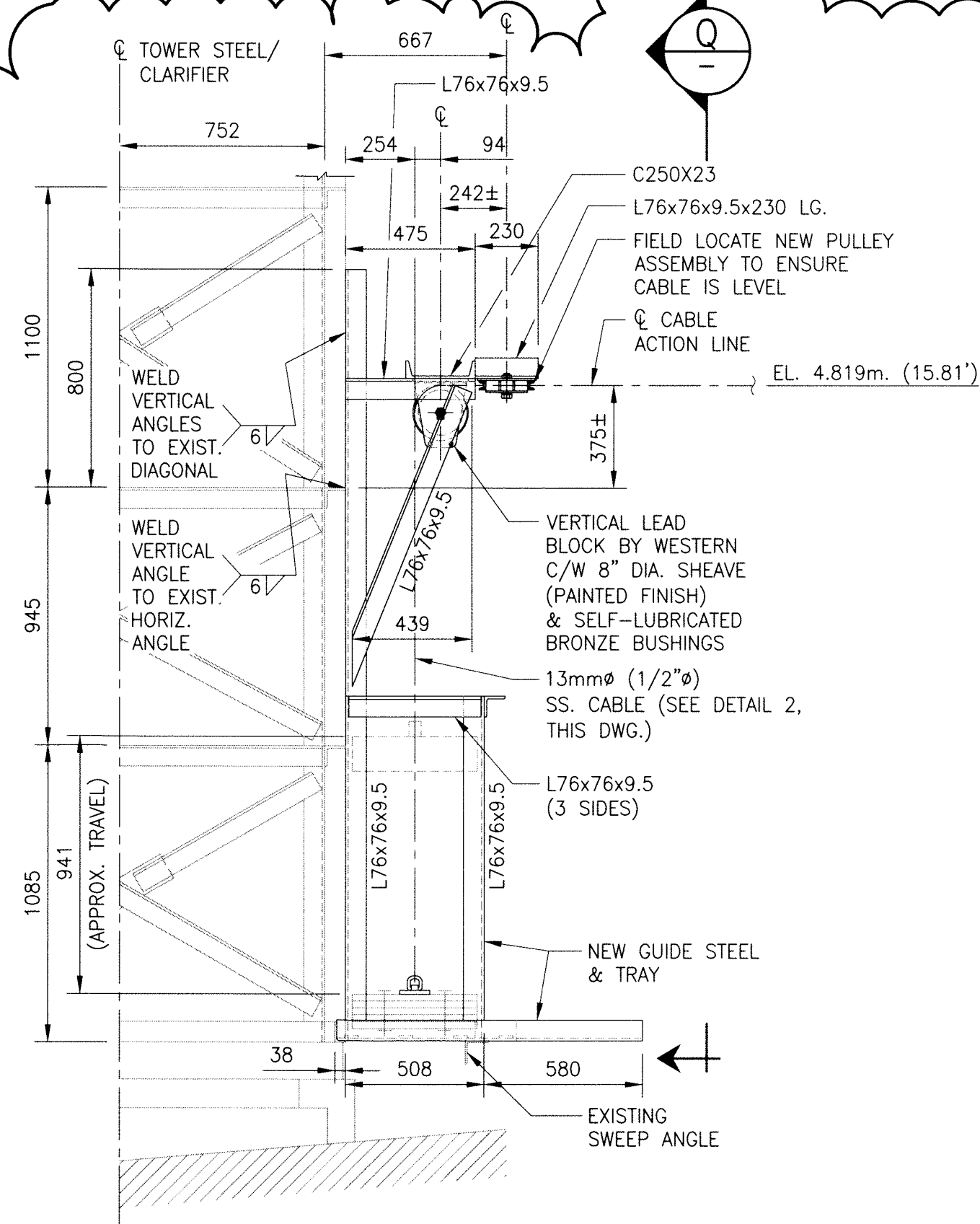


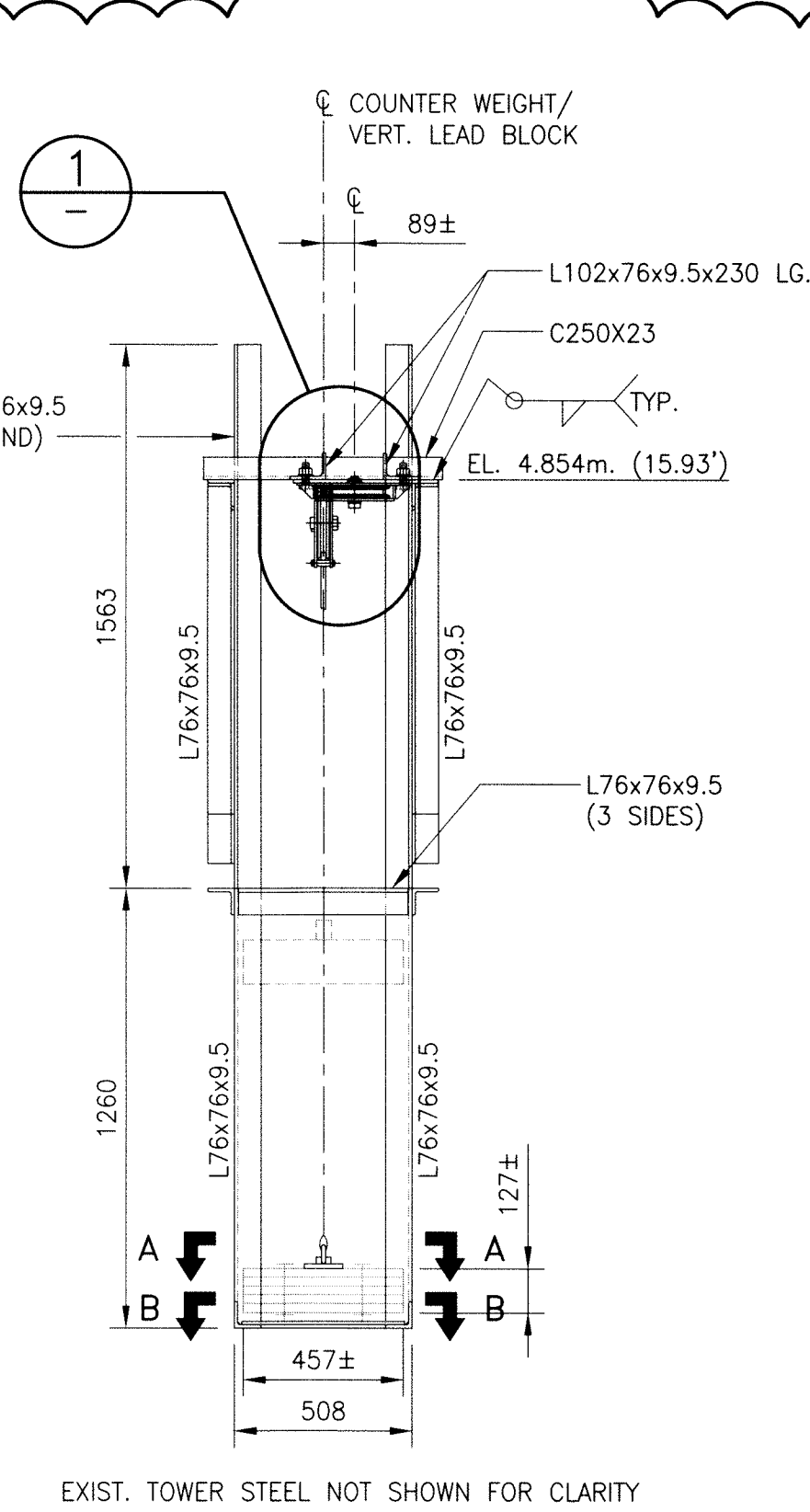
CW-9-M564-1
 File Name: \\k-file-2\p-data\Projects\2011\11-0107-31\Doc\Control\TabBeissued\DWG\1-0101S-S0010-001.dwg - Tab: S10 Plotted By: Dderoche 08/02/2012 [Thu 4:29pm]



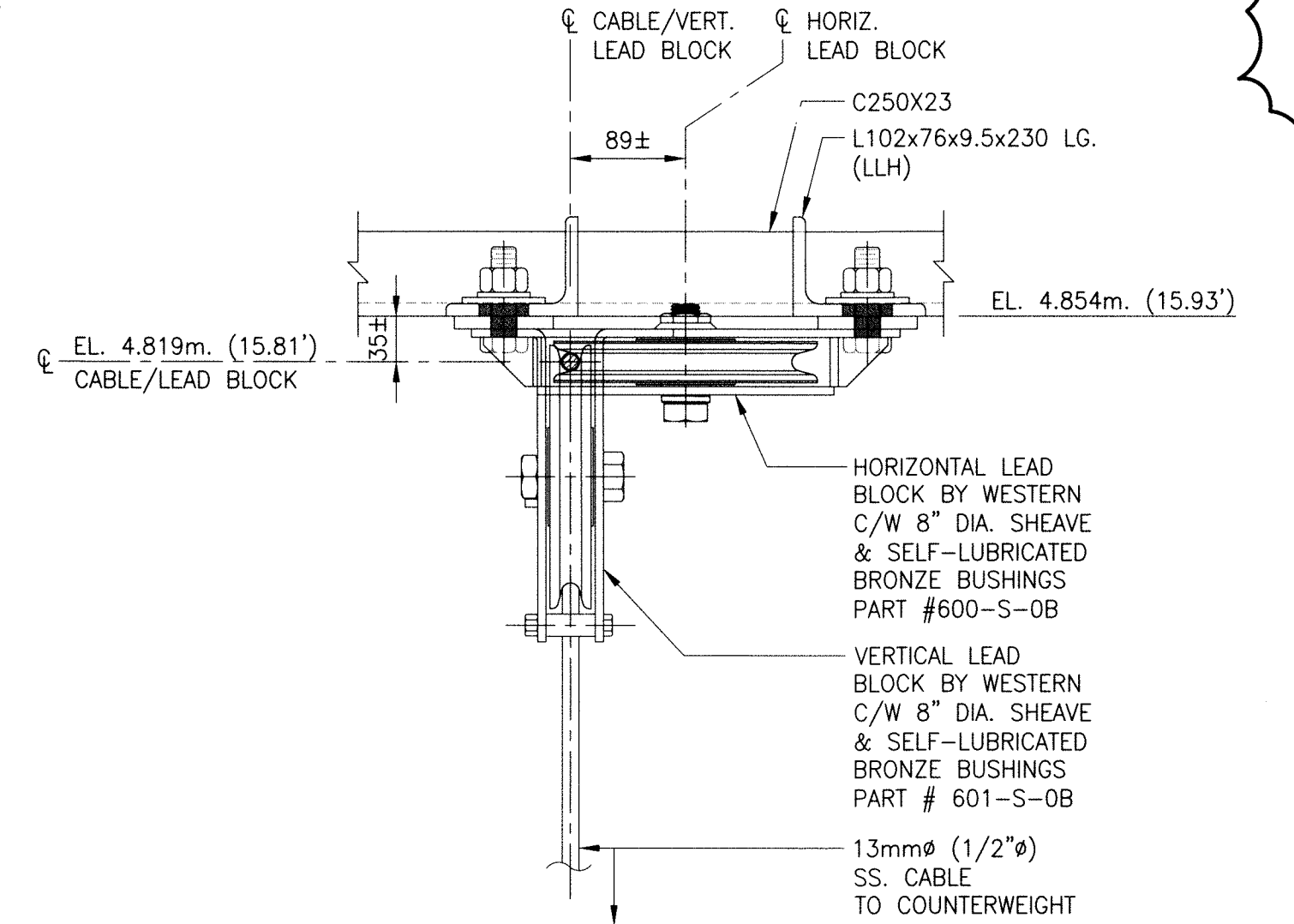
L S08 **DETAIL - COUNTER WEIGHT TRAY (EXIST.)**
 SCALE: 1:20



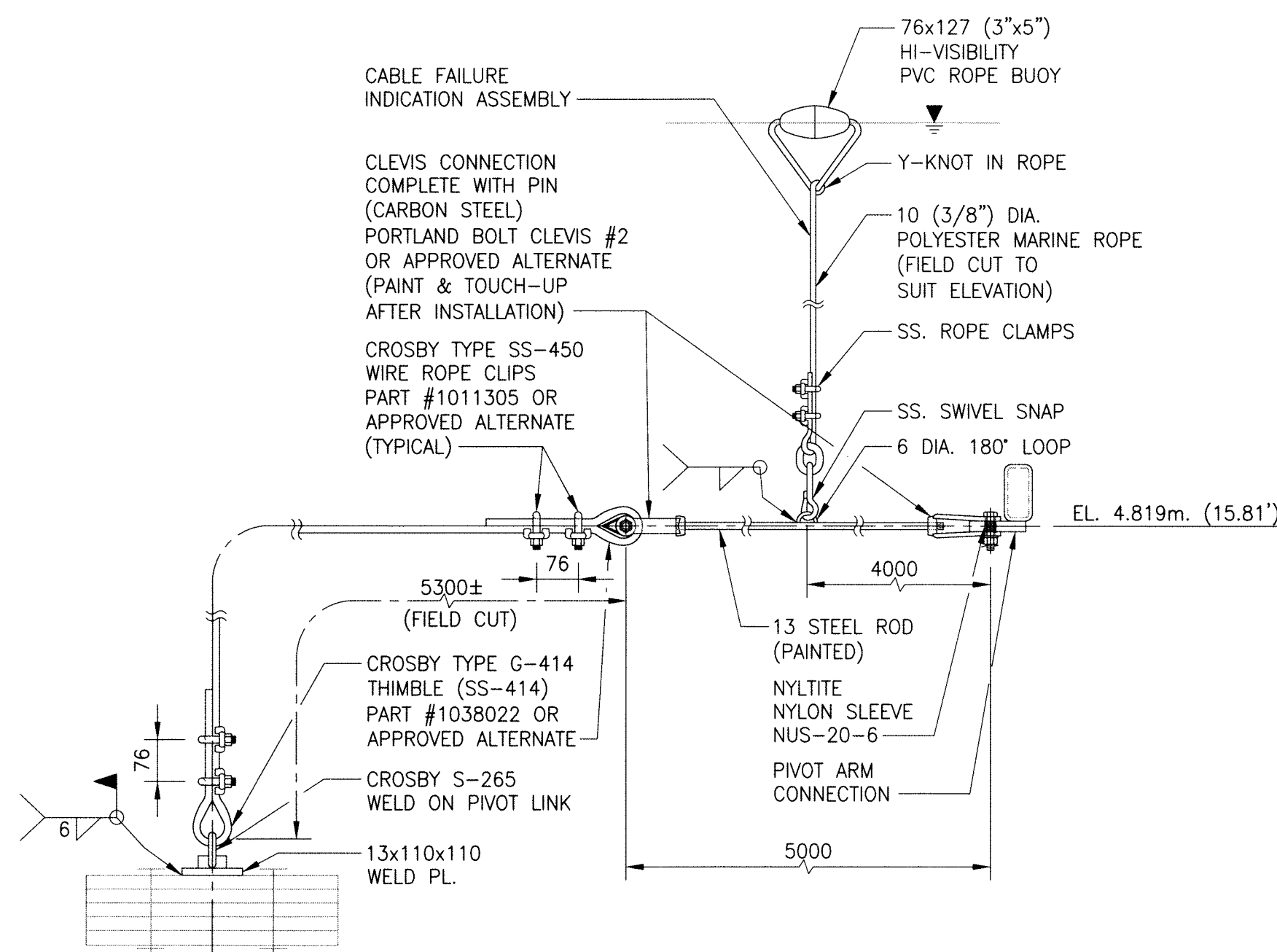
L S08 **DETAIL - COUNTER WEIGHT TRAY (NEW)**
 SCALE: 1:20



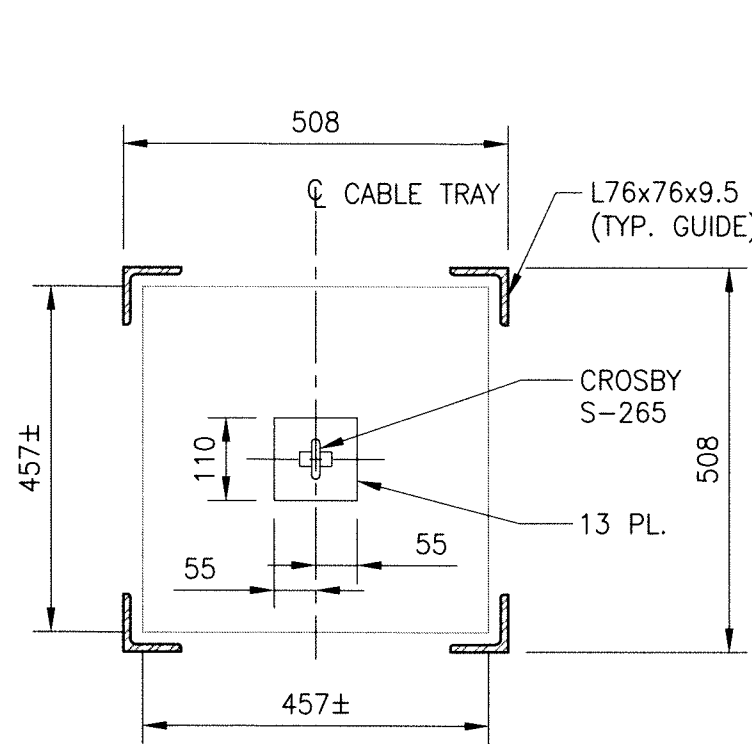
Q **SECTION**
 SCALE: 1:20



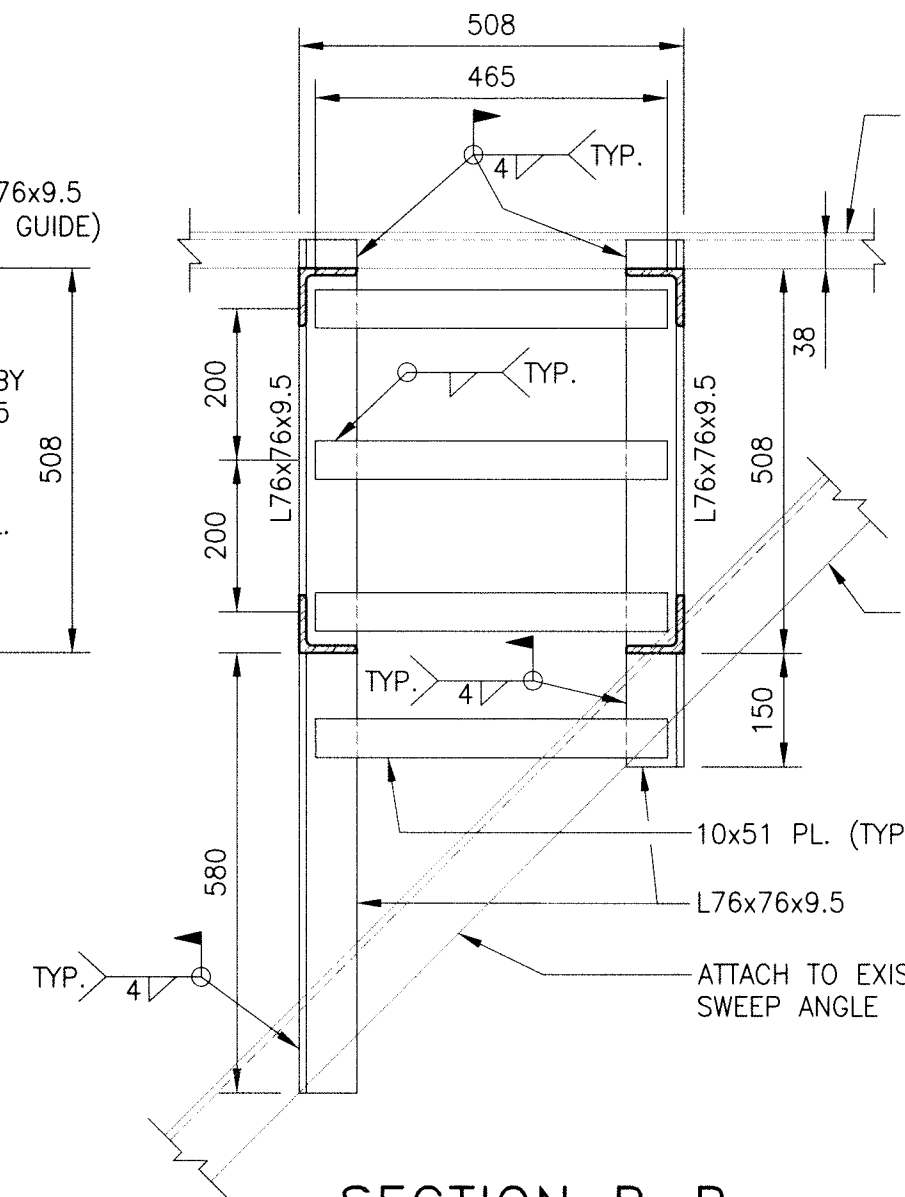
1 **DETAIL - PULLEY ASSEMBLY**
 SCALE: 1:5



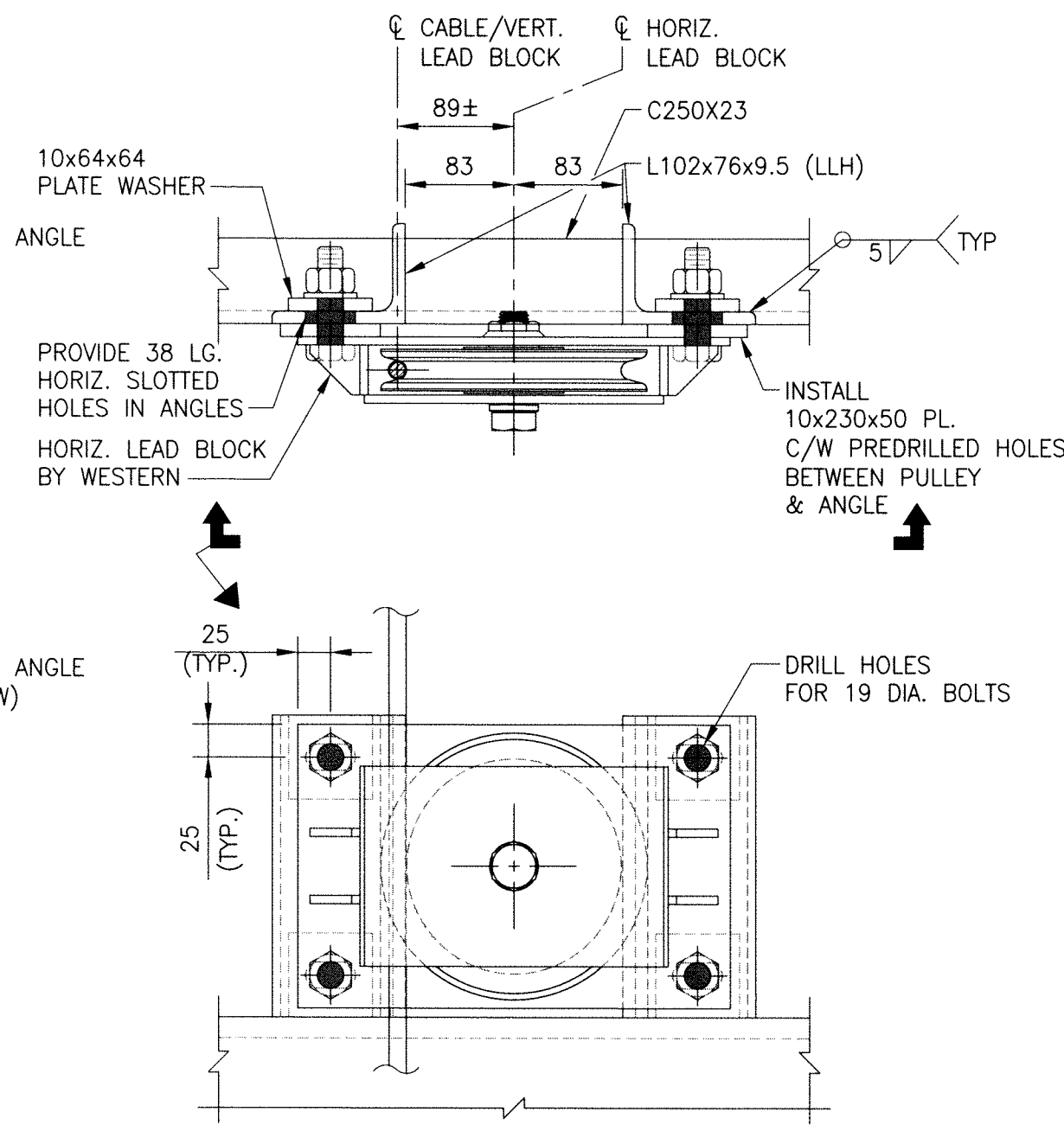
2 **DETAIL - COUNTER WEIGHT CONNECTION**
 SCALE: 1:10



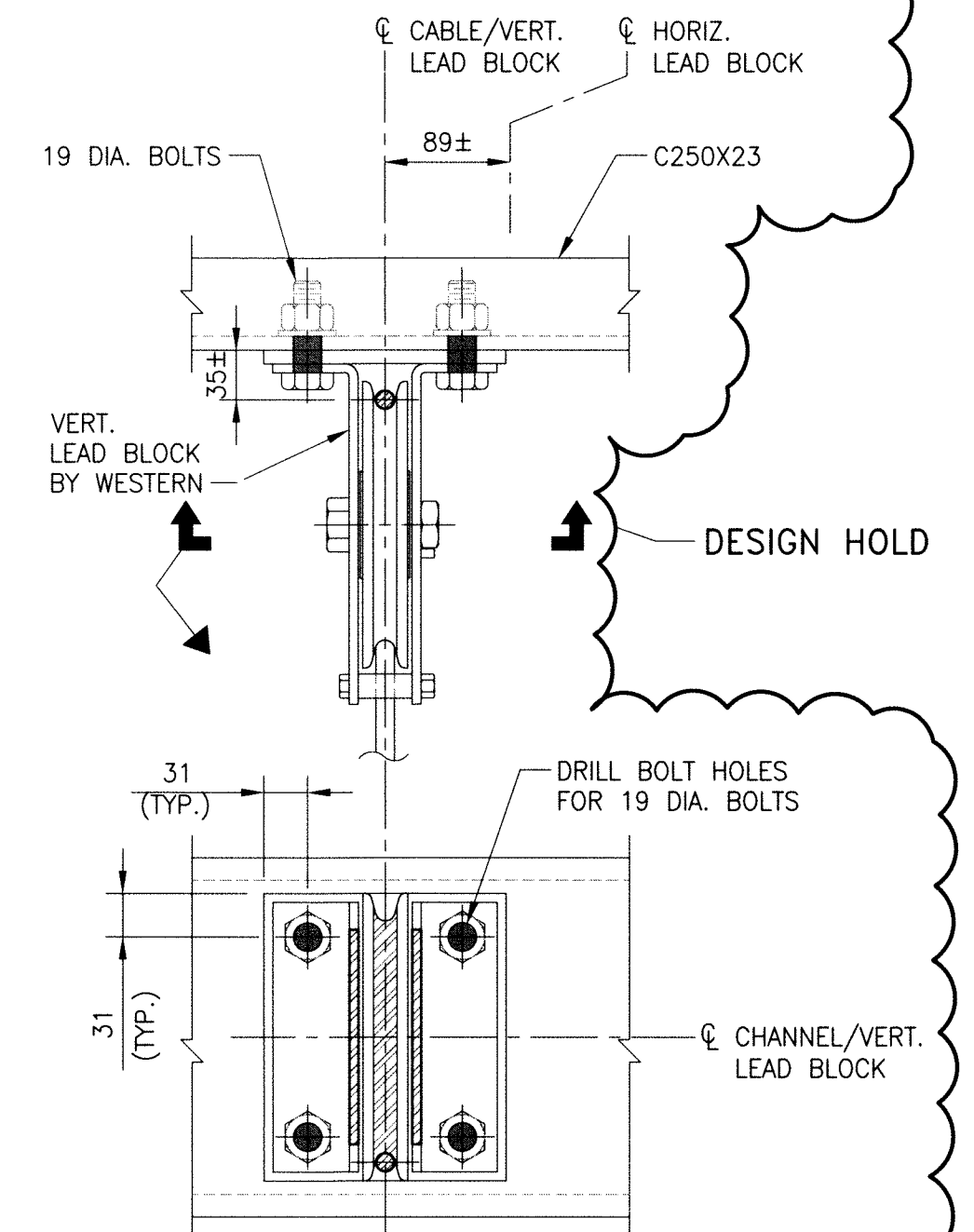
SECTION A-A
 SCALE: 1:10



SECTION B-B
 SCALE: 1:10

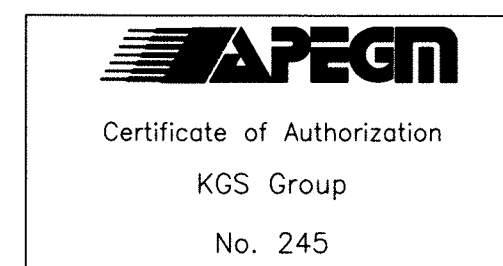
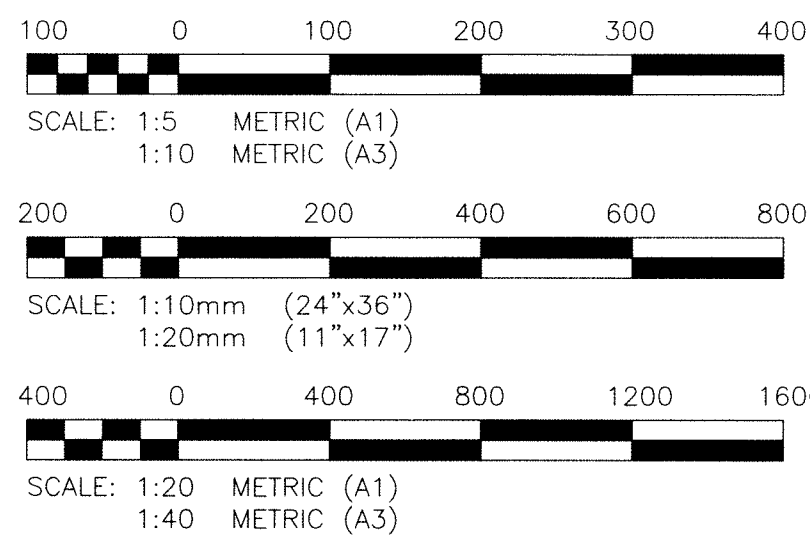


1A **DETAIL**
 SCALE: 1:5



1B **DETAIL**
 SCALE: 1:5

- NOTES:**
1. WORK THIS DRAWING IN COMBINATION WITH THE PROJECT SPECIFICATIONS.
 2. REFER TO DWG. S02 FOR GENERAL NOTES.
 3. REPAIR LOCATIONS, DIMENSIONS AND QUANTITIES ARE APPROXIMATE AND ARE TO BE FIELD CONFIRMED BY THE CONTRACTOR AND APPROVED BY THE CONTRACT ADMINISTRATOR.



FIELD BOOK #:			ENGINEER'S SEAL
POSTED TO LBIS			
DESIGNED BY	KRD	CHECKED BY	CMS
DRAWN BY	FBV	APPROVED BY	
HDR. SCALE	AS NOTED	RELEASED FOR CONSTRUCTION	
VERTICAL SCALE	AS NOTED	DATE	2011 07 15
NO. REVISIONS	DATE	BY	DATE

THE CITY OF WINNIPEG
 WATER AND WASTE DEPARTMENT

NEWPCC
 SECONDARY CLARIFIERS 7 TO 10 REHABILITATION
 COUNTERWEIGHT ASSEMBLY
 SECTIONS & DETAILS

SHEET 10 OF 10
 CITY DRAWING NUMBER
 1-0101S-S0010-001

S10