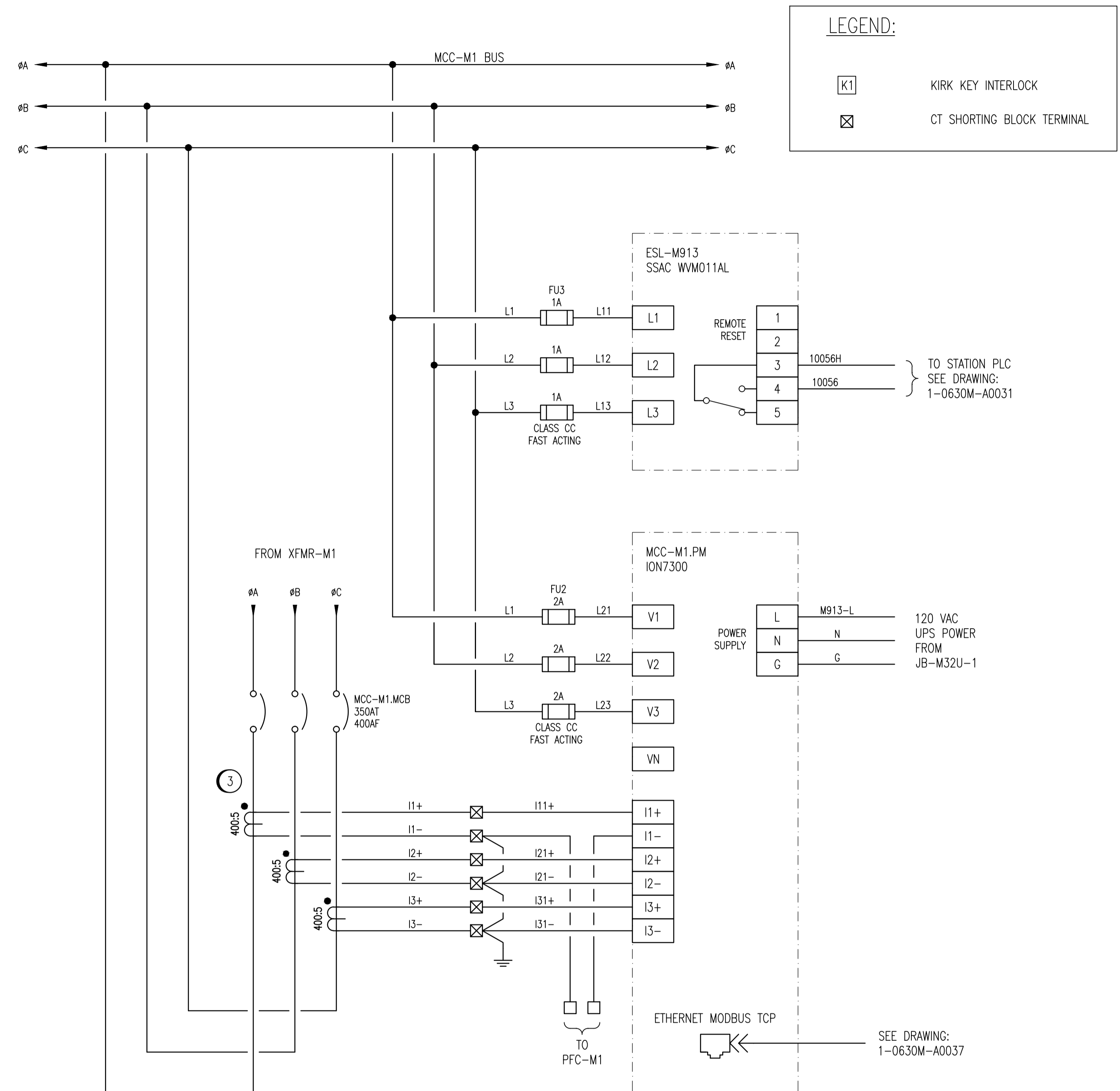


**MCC-M1 ELEVATION - 'NON-ESSENTIAL'**  
SCALE: NTS



**DETAIL: MCC-M1 POWER METER AND VOLTAGE MONITOR**  
SCALE: NTS

**SPECIFIC NOTES:**

- ① NO NEW FLOOR PENETRATION REQUIRED.
- ② LOCATE MCC SECTION ABOVE THE EXISTING FLOOR PENETRATION.
- ③ CONTRACTOR TO VERIFY CT RATINGS ARE ADEQUATE FOR THE BURDENS PRESENT.

LAST SAVE: 2012/08/16 - 4:04pm  
PATH: M:\508955\AENG\47ELE\DD - General DWG\1-0630M-E0026-001-01.dwg

DRAWING NUMBER	REFERENCE DRAWINGS
1-0630M-E0066	JB-M32U-1 LAYOUT AND SCHEMATIC
1-0630M-E0028	MCC SCHEDULES
1-0630M-E0023	MCC-M1 SINGLE LINE DIAGRAM



NO.	REVISIONS	DATE	DESIGN	CHECK
01	ADDENDUM 1, BID OPP. 490-2012	2012/08/14	BJC	CJR
00	ISSUED FOR TENDER, BID OPP. 490-2012	2012/07/23	BJC	CJR

DESIGNED BY:	B. CLEVEN
CHECKED BY:	C. REIMER
DRAWN BY:	M.J. PERSSON
APPROVED BY:	C. REIMER
SCALE:	NTS
DATE:	2011/12/19
CONSULTANT NO.:	508955-0000-47DD-0026

ENGINEER'S SEAL  
**PRELIMINARY**  
NOT TO BE USED FOR CONSTRUCTION

**THE CITY OF WINNIPEG**  
WATER AND WASTE DEPARTMENT

MACLEAN WATER PUMPING STATION

MCC ELEVATION AND DETAILS  
MCC-M1

CITY DRAWING NUMBER: 1-0630M-E0026

SHEET: 001

REV.: 01

SIZE: A1