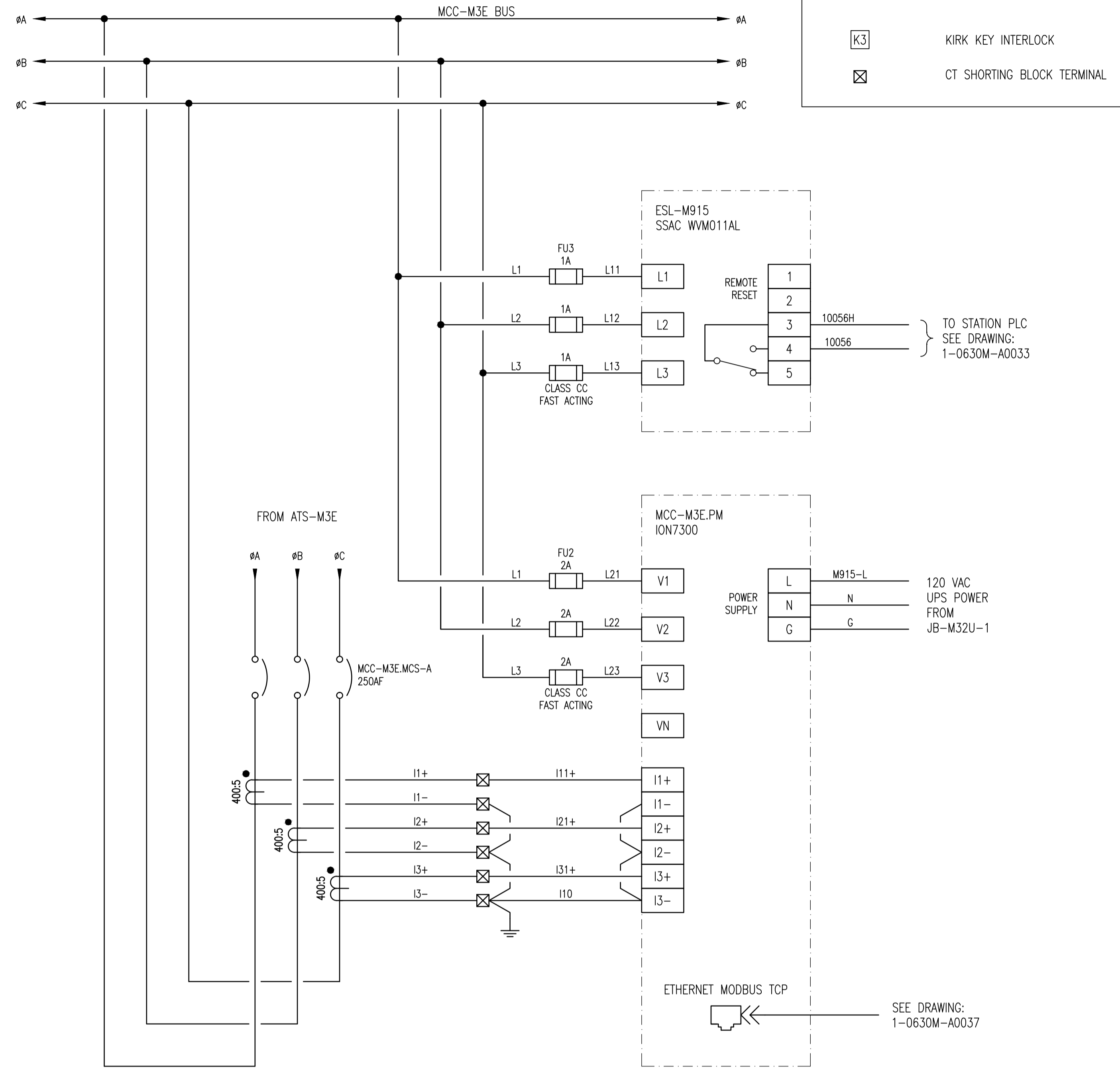


MCC-M3E - FRONT ELEVATION
SCALE: NTS



DETAIL: MCC-M3E POWER METER AND VOLTAGE MONITOR
SCALE: NTS

1-0630M-E0066	JB-M32U-1 LAYOUT AND SCHEMATIC
1-0630M-E0025	MCC-M3E SINGLE LINE DIAGRAM
1-0630M-E0028	MCC SCHEDULES
DRAWING NUMBER	REFERENCE DRAWINGS



NO.	REVISIONS	DATE	DESIGN	CHECK
01	ADDENDUM 1, BID OPP. 490-2012	2012/08/14	BJC	CJR
00	ISSUED FOR TENDER, BID OPP. 490-2012	2012/07/23	BJC	CJR

SNC-LAVALIN INC.
148 Nature Park Way
Winnipeg, MB, Canada R3P 0X7
204-798-8080

DESIGNED BY: B. CLEVEN
CHECKED BY: C. REIMER
DRAWN BY: M.J. PERSSON
APPROVED BY: C. REIMER
SCALE: NTS
RELEASED FOR CONSTRUCTION BY: [Signature]
DATE: 2011/12/23
CONSULTANT NO.: 508955-0000-47DD-0027

ENGINEER'S SEAL
PRELIMINARY
NOT TO BE USED FOR CONSTRUCTION

THE CITY OF WINNIPEG
WATER AND WASTE DEPARTMENT

MACLEAN WATER PUMPING STATION
MCC ELEVATION AND DETAILS
MCC-M3E

CITY DRAWING NUMBER: 1-0630M-E0027
SHEET: 001
REV: 01
SIZE: A1