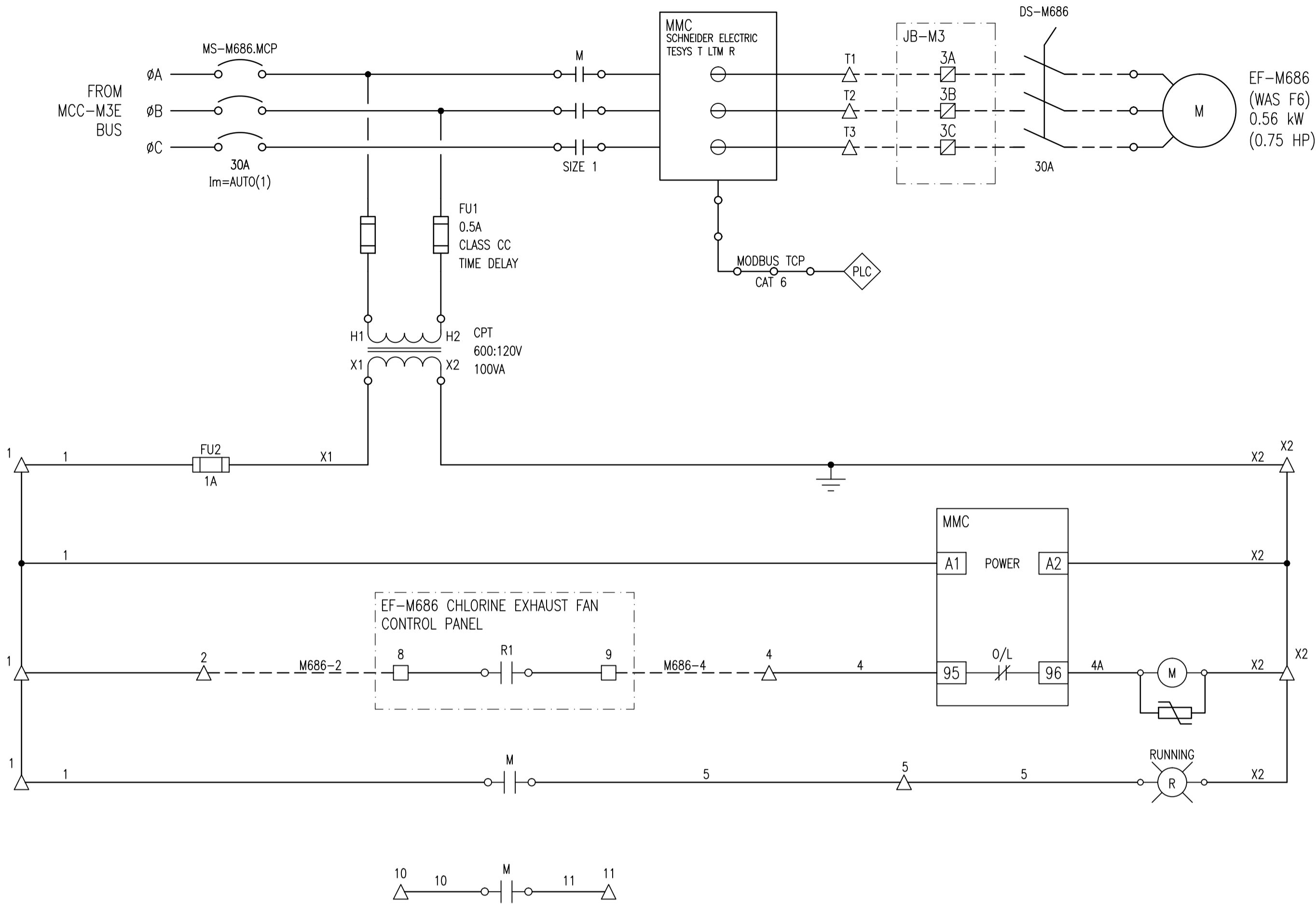
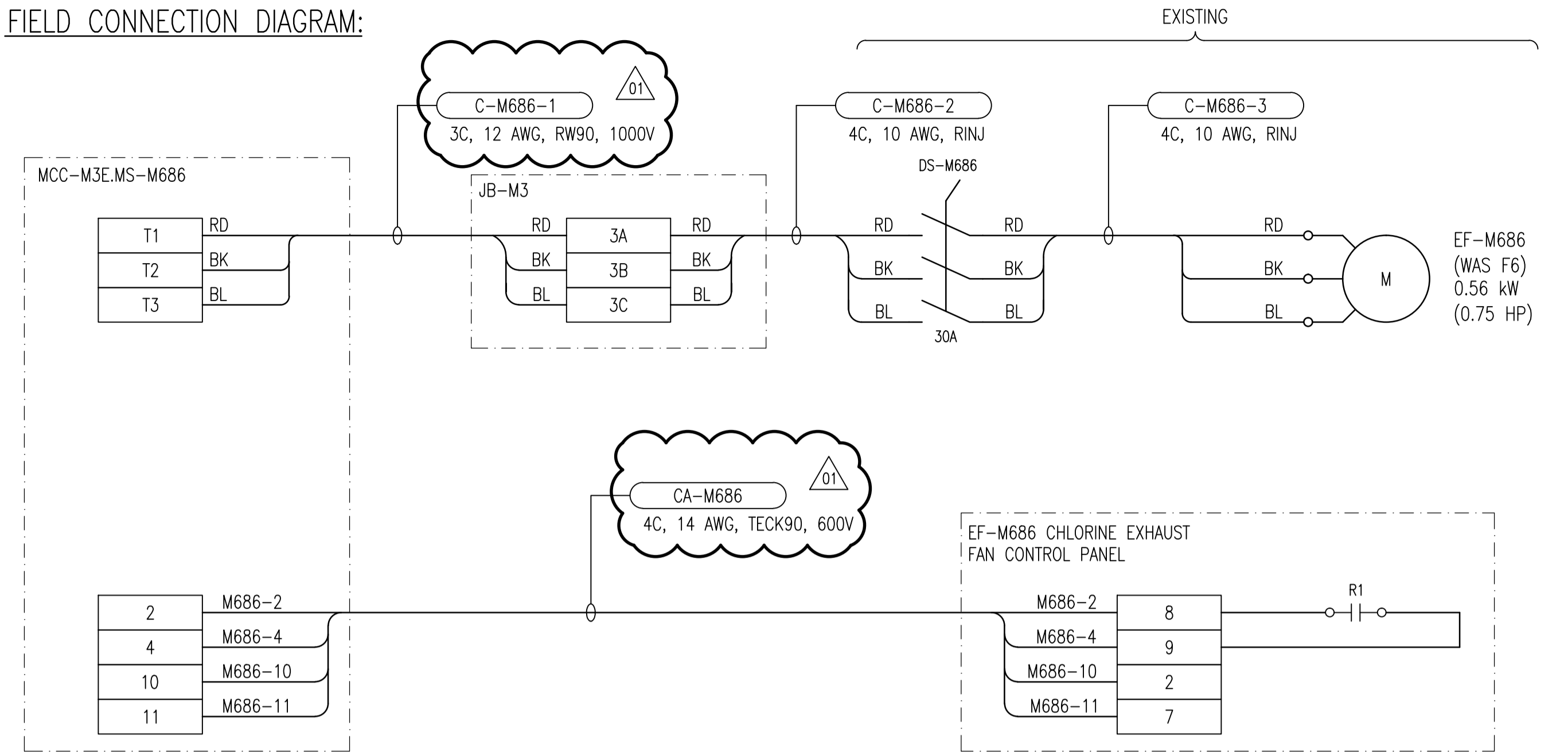


ELEMENTARY DIAGRAM:



FIELD CONNECTION DIAGRAM:



CONSTRUCTION NOTES:

- 1 INVESTIGATE EXISTING WIRING TO THE EXHAUST FAN CONTROL PANEL(S) AND MODIFY WIRING FROM THAT SHOWN AS REQUIRED TO REPLICATE EXISTING FUNCTIONALITY. PROVIDE AS-BUILT MARKUPS TO THE CONTRACT ADMINISTRATOR.
- 2 PROVIDE IDENTIFICATION LAMACOIDS FOR ALL CHLORINE EXHAUST FAN CONTROL PANELS APPLICABLE TO EF-M686.

LEGEND:

- △ TERMINAL IN MOTOR STARTER COMPARTMENT
- TERMINAL IN LCP-M600
- ⊠ TERMINAL IN JUNCTION BOX
- ⊙(R) INDICATING LIGHT, R = RED, A = AMBER
- ⊙(M) CONTACTOR COIL
- ⊠ TRANSIENT VOLTAGE SUPPRESSOR

1-0630M-E0027	MCC ELEVATION, MCC-M3E
1-0630M-E0025	SINGLE LINE DIAGRAM, MCC-M3E
DRAWING NUMBER	REFERENCE DRAWINGS



NO.	REVISIONS	DATE	DESIGN	CHECK
01	ADDENDUM 1, BID OPP. 490-2012	2012/08/14	BJC	CJR
00	ISSUED FOR TENDER, BID OPP. 490-2012	2012/07/23	BJC	CJR

 SNC-LAVALIN INC. 148 Nature Park Way Winnipeg, MB, Canada R3P 0X7 204-786-8080	
DESIGNED BY: B. CLEVEN	CHECKED BY: C. REIMER
DRAWN BY: M.J. PERSSON	APPROVED BY: C. REIMER
SCALE: NTS	RELEASED FOR CONSTRUCTION BY: DATE:
DATE: 2012/05/03	DATE:
CONSULTANT NO.: 508955-0000-47DD-0054	

ENGINEER'S SEAL
PRELIMINARY
 NOT TO BE
 USED FOR
 CONSTRUCTION

 THE CITY OF WINNIPEG WATER AND WASTE DEPARTMENT			
MACLEAN WATER PUMPING STATION			
MOTOR STARTER SCHEMATIC EF-M686			
CL2 EQUIPMENT ROOM EXHAUST FAN			
CITY DRAWING NUMBER 1-0630M-E0054	SHEET 001	REV. 01	SIZE A1