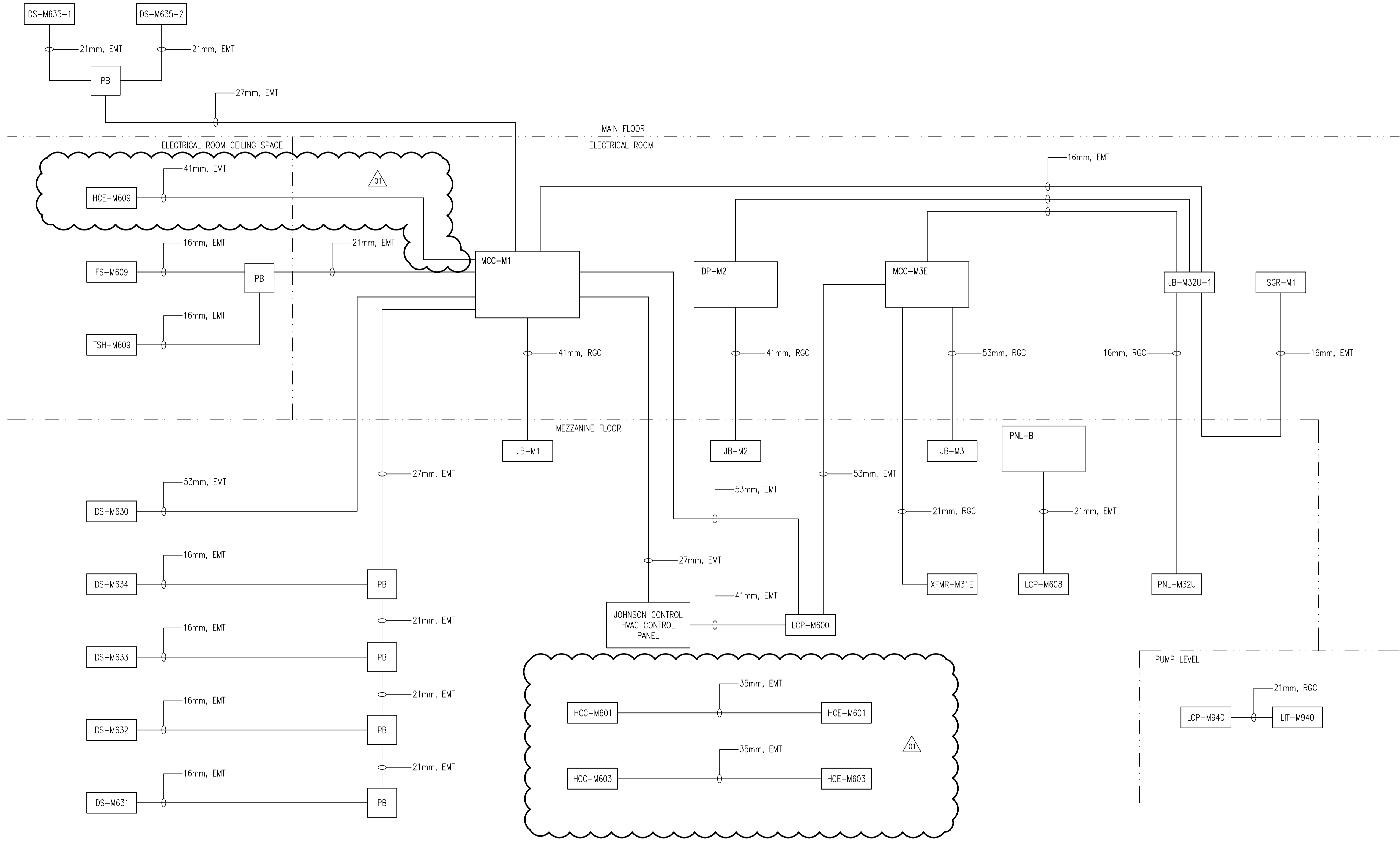


LEGEND	
RGC	RIGID GALVANIZED CONDUIT
PB	PULL BOX
EMT	ELECTRICAL METALLIC TUBING



CONDUIT RISER DIAGRAM
SCALE: NTS

- NOTES:**
1. INSTALL ADDITIONAL PULL BOXES AS REQUIRED.
 2. NOT ALL CONDUITS ARE NECESSARILY SHOWN. THE LACK OF A CONDUIT ON THIS DRAWING DOES NOT ELIMINATE THE REQUIREMENT FOR CONDUIT INSTALLATION.
 3. INSTALL APPROPRIATELY RATED GREEN GROUND (BONDING) WIRES IN ALL CONDUIT.
 4. ALL FITTINGS ARE TO BE LIQUID-TITE.



NO.	REVISIONS	DATE	DESIGN	CHECK
01	ADDENDUM 2, BID OPP. 490-2012	2012/08/22	BJC	CJR
00	ISSUED FOR TENDER, BID OPP. 490-2012	2012/07/23	VE	CJR

DESIGNED BY:	V. ELIMBAN
CHECKED BY:	C. REIMER
DRAWN BY:	M.J. PERSSON
APPROVED BY:	C. REIMER
SCALE:	NTS
RELEASED FOR CONSTRUCTION BY:	
DATE:	2012/06/14
DATE:	
CONSULTANT NO.:	508955-0000-47DD-0040

ENGINEER'S SEAL
PRELIMINARY
NOT TO BE USED FOR CONSTRUCTION

THE CITY OF WINNIPEG
WATER AND WASTE DEPARTMENT

MACLEAN WATER PUMPING STATION
CONDUIT RISER DIAGRAM

CITY DRAWING NUMBER: 1-0630M-E0040
SHEET: 001
REV.: 01
SIZE: A1