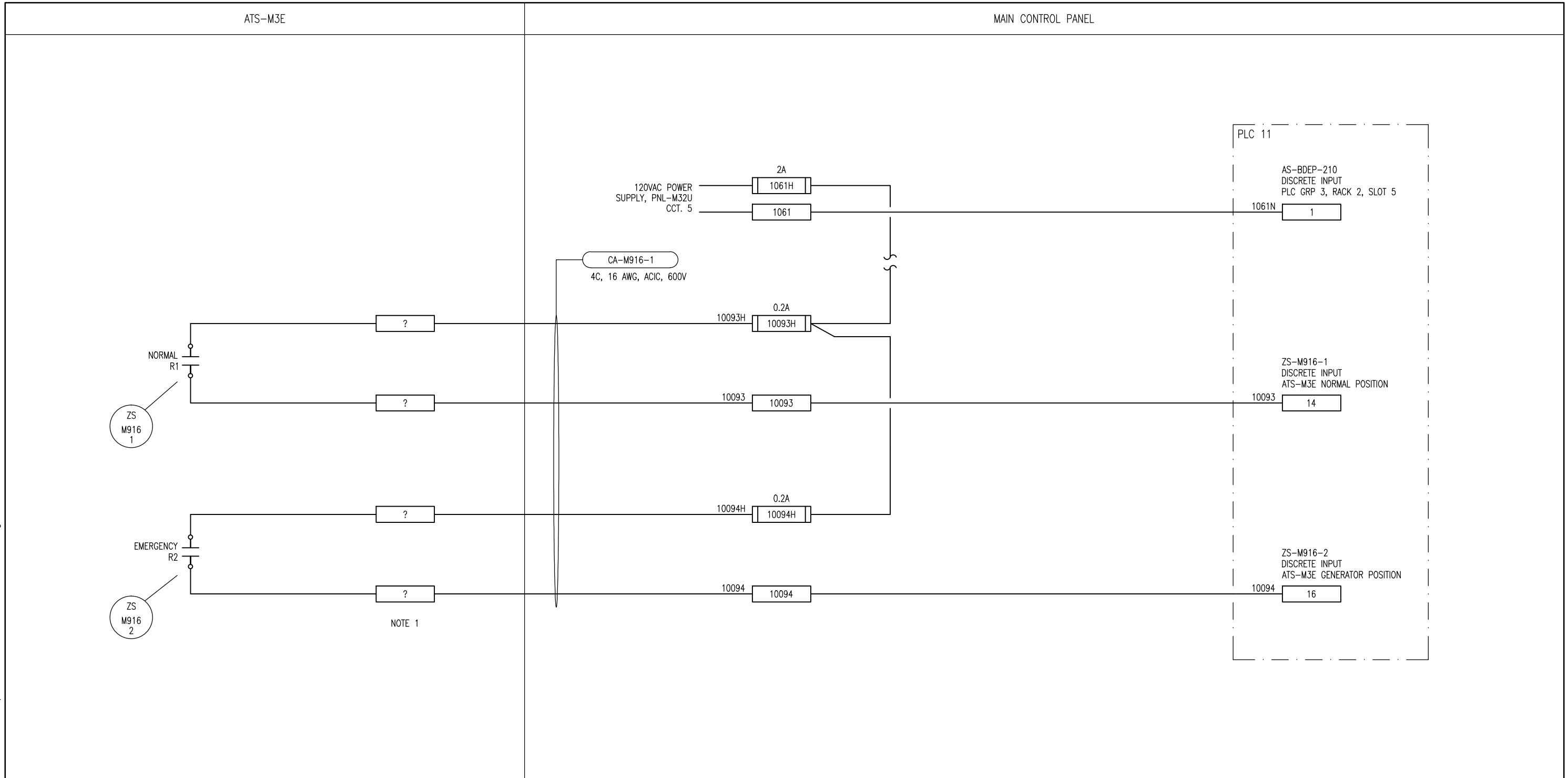


B SIZE - 279mm x 432mm

General DWG\1-0630M-A0030-001-00.dwg

LAST SAVE: 2012/07/27 - 8:05am
 PATH: M:\508955\4ENG\48&c\DD -



NOTES

1. PROVIDE AS-BUILT MARKUPS INDICATING TERMINAL NUMBERS USED WITHIN ATS-M3E.

SNC-Lavalin Inc.
No. 4489

| NO. | REVISIONS | DATE | DESIGN | CHECK |
|-----|--------------------------------------|------------|--------|-------|
| 00 | ISSUED FOR TENDER, BID OPP. 490-2012 | 2012/07/23 | VE | CJR |

SNC-LAVALIN INC.
 148 Nature Park Way
 Winnipeg, MB, Canada R3P 0X7
 204-786-8080

| | |
|--|---------------------------|
| DESIGNED BY: V. ELIMBAN | CHECKED BY: C. REIMER |
| DRAWN BY: MJ. PERSSON | APPROVED BY: C. REIMER |
| SCALE: NTS | DATE: 2012/01/23 |
| RELEASED FOR CONSTRUCTION | |
| BY: | DATE: |
| CONSULTANT NO.: 508955-0000-48DD-0030 | |

ENGINEER'S SEAL

PRELIMINARY

NOT TO BE
USED FOR
CONSTRUCTION

THE CITY OF WINNIPEG
WATER AND WASTE DEPARTMENT

MACLEAN WATER PUMPING STATION

LOOP DIAGRAM
ATS-M3E POSITION STATUS
LOOP M916

| | | | |
|---------------------|-------|------|------|
| CITY DRAWING NUMBER | SHEET | REV. | SIZE |
| 1-0630M-A0030 | 001 | 00 | B |