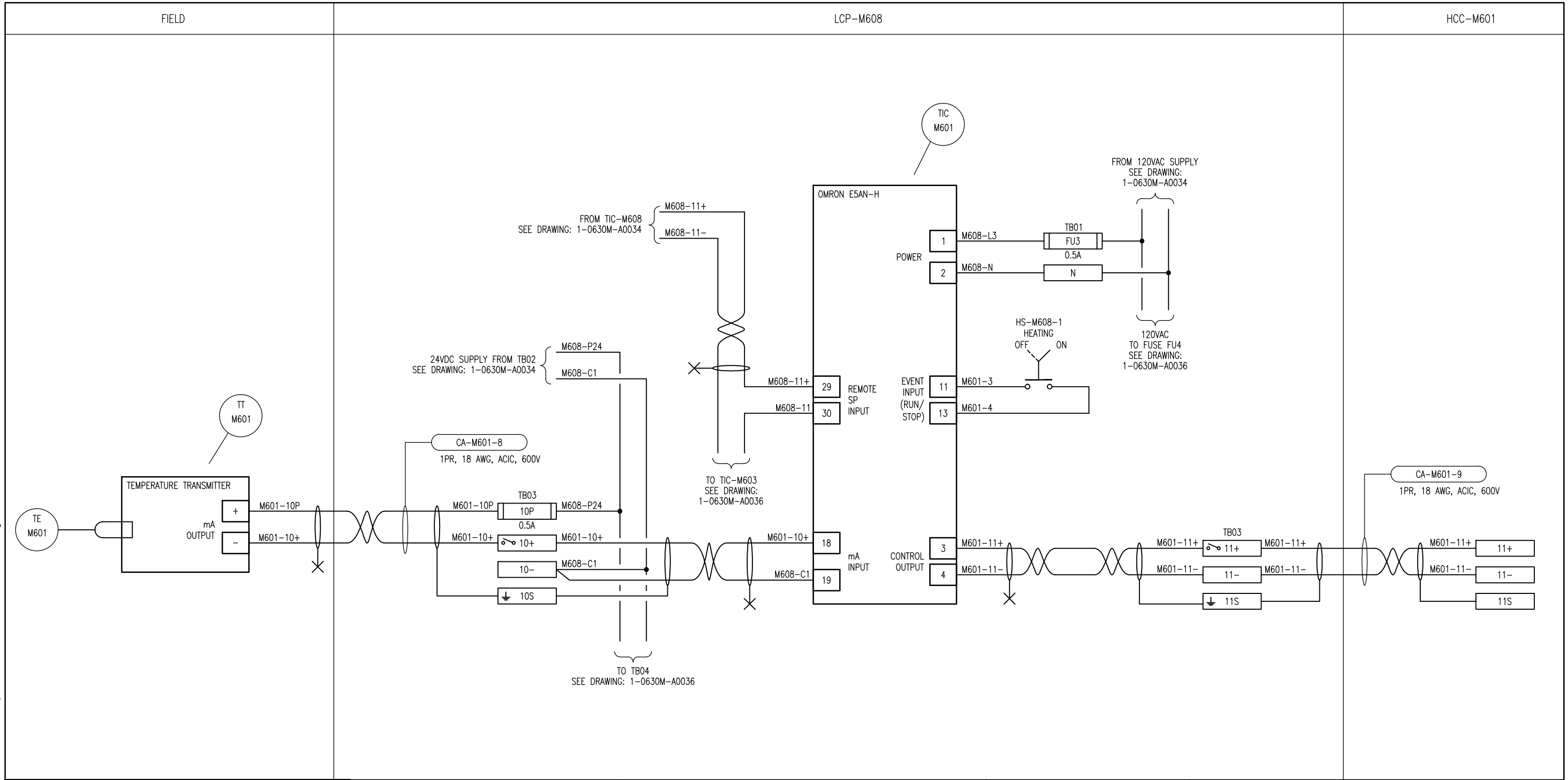


B SIZE - 279mm x 432mm

General DWG\1-0630M-A0035-001-00.dwg

LAST SAVE: 2012/07/27 - 8:08am  
 PATH: M:\508955\4ENG\48&c\DD -



- NOTES**
1. TT-M601 TO BE 24VDC LOOP POWERED.
  2. CONFIGURE TIC-M601 TO TURN OFF THE CONTROL OUTPUT IN STOP MODE.



**SNC-LAVALIN INC.**  
 148 Nature Park Way  
 Winnipeg, MB, Canada R3P 0X7  
 204-786-8080

NO.	REVISIONS	DATE	DESIGN	CHECK
00	ISSUED FOR TENDER, BID OPP. 490-2012	2012/07/23	BJC	CJR

DESIGNED BY: B. CLEVEN	CHECKED BY: C. REIMER
DRAWN BY: M.J. PERSSON	APPROVED BY: C. REIMER
SCALE: NTS	DATE: 2012/05/27
RELEASED FOR CONSTRUCTION DATE:	
CONSULTANT NO.: 508955-0000-48DD-0035	

ENGINEER'S SEAL

**PRELIMINARY**  
 NOT TO BE  
 USED FOR  
 CONSTRUCTION

**THE CITY OF WINNIPEG**  
 WATER AND WASTE DEPARTMENT

MACLEAN WATER PUMPING STATION

LOOP DIAGRAM  
 AHU-M601 DISCHARGE AIR TEMPERATURE  
 LOOP M601

CITY DRAWING NUMBER 1-0630M-A0035	SHEET 001	REV. 00	SIZE B
--------------------------------------	--------------	------------	-----------