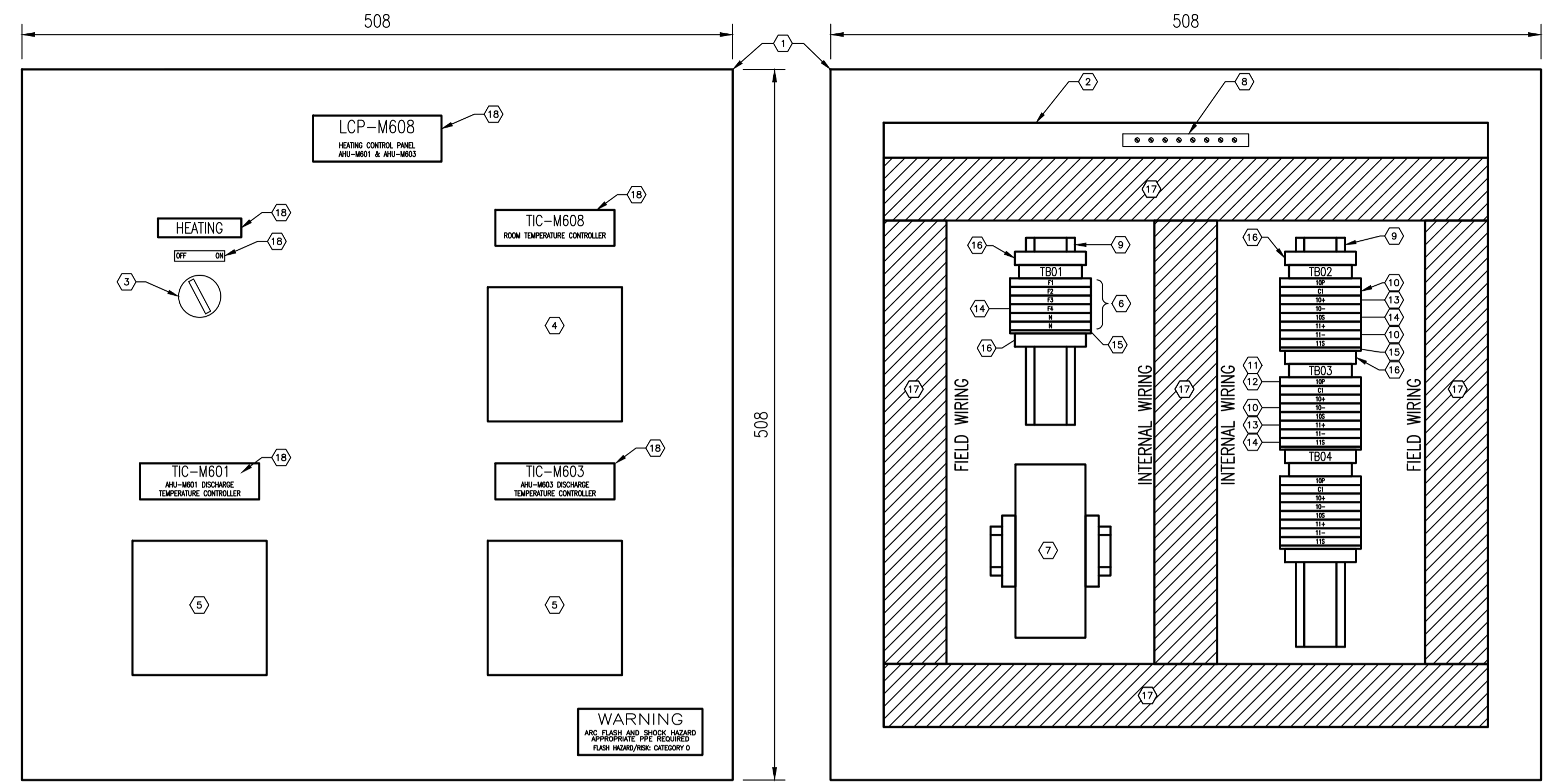
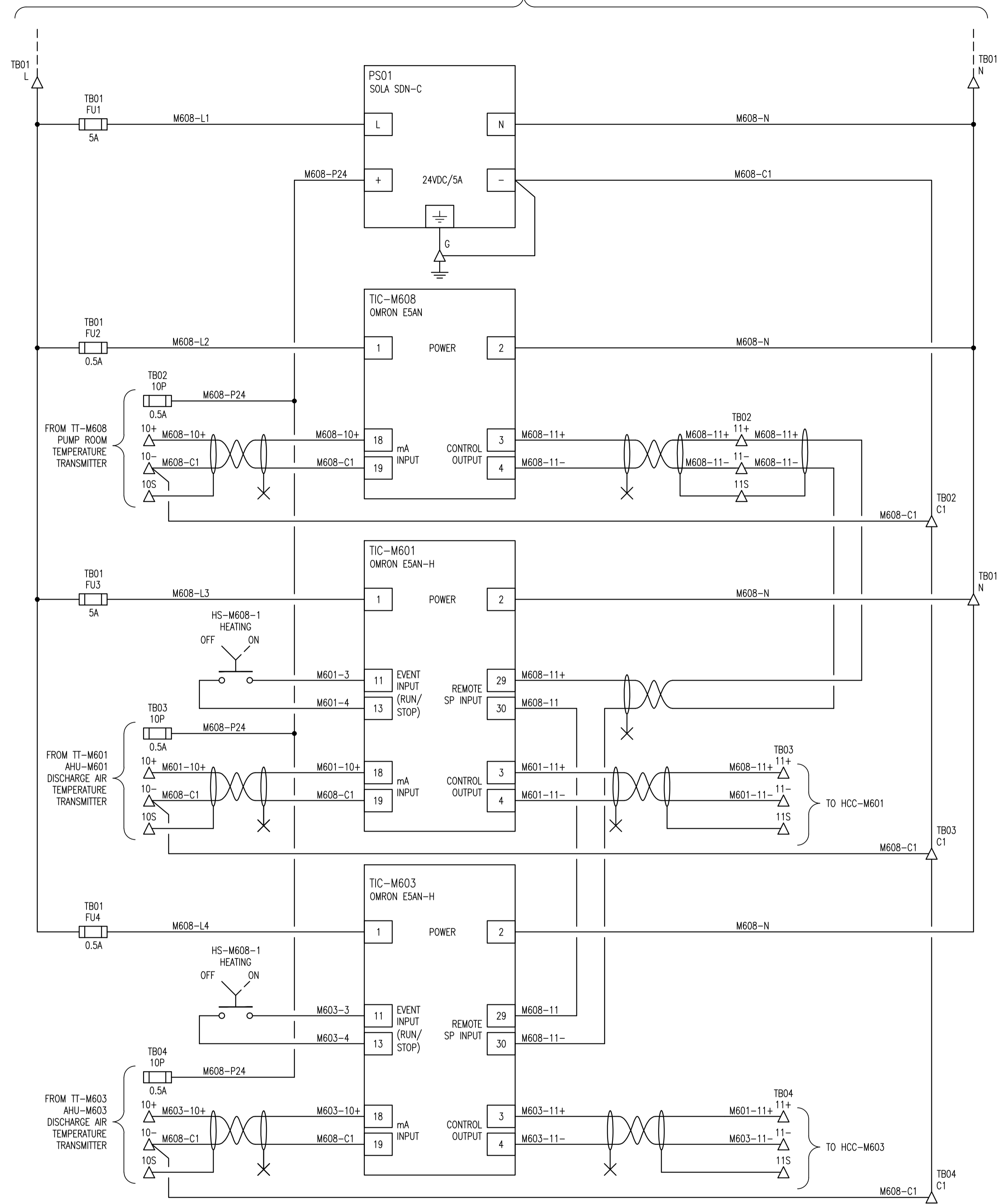


A1 SIZE - 594mm x 841mm

120 VAC FROM PNL-B, CCT. 24



EXTERIOR PANEL VIEW
SCALE: 1 : 3

INTERIOR PANEL VIEW
SCALE: 1 : 3

BILL OF MATERIALS

ITEM	QTY	DESCRIPTION	MANUFACTURER	CATALOG NUMBER
1	1	SINGLE DOOR, TYPE 12, WALL MOUNTED ENCLOSURE	HOFFMAN	A202006LP
2	1	BACKPAN	HOFFMAN	A20P20
3	1	2 POSITION SELECTOR SWITCH, MAINTAINED, 2 N.O/2 N.C.	ALLEN-BRADLEY	800T-H2B
4	1	TEMPERATURE CONTROLLER, CURRENT/VOLTAGE INPUT, CURRENT OUTPUT	OMRON	E5AN-C3ML-500-N
5	2	TEMPERATURE CONTROLLER, CURRENT/VOLTAGE INPUT, CURRENT OUTPUT, REMOTE SP INPUT	OMRON	E5AN-HAA2HBM-500
6	2	OUTPUT UNIT FOR ITEM 5, CURRENT OUTPUT	OMRON	E53-C3N
7	1	24VDC POWER SUPPLY, 120W	SOLA HD	SDN-5-24-100C
8	1	GROUND BAR, 6-TAP	ILSCO	D167-6
9	AS REQ'D	35mm DIN RAIL	PHOENIX CONTACT	0801733
10	AS REQ'D	FEED-THROUGH TERMINAL	PHOENIX CONTACT	3046184
11	AS REQ'D	FUSED TERMINAL BLOCK	PHOENIX CONTACT	3046142
12	AS REQ'D	FUSE CONNECTOR	PHOENIX CONTACT	3036806
13	AS REQ'D	DISCONNECT TERMINAL	PHOENIX CONTACT	3046139
14	AS REQ'D	POTENTIAL EARTH TERMINAL	PHOENIX CONTACT	3046207
15	AS REQ'D	TERMINAL END PLATE	PHOENIX CONTACT	3047141
16	AS REQ'D	TERMINAL END CLAMP	PHOENIX CONTACT	1201442
17	AS REQ'D	NARROW SLOT WIRING DUCT, 1.75"x3.12"	PANDUIT	-
18	AS REQ'D	LAMACOIDS	-	-

LAST SAVE: 2012/07/27 - 8:10am
PATH: M:\508955\4ENG\48&C\DO - General DWG\1-0630M-A0039-001-00.dwg

DRAWING NUMBER	REFERENCE DRAWINGS
1-0630M-A0036	AHU-M603 DISCHARGE AIR TEMP. LOOP DIAGRAM
1-0630M-A0035	AHU-M601 DISCHARGE AIR TEMP. LOOP DIAGRAM
1-0630M-A0034	PUMP ROOM TEMPERATURE LOOP DIAGRAM



NO.	REVISIONS	DATE	DESIGN	CHECK
00	ISSUED FOR TENDER, BID OPP. 490-2012	2012/07/23	BJC	CJR

SNC-LAVALIN INC.
148 Nature Park Way
Winnipeg, MB, Canada R3P 0X7
204-786-8080

DESIGNED BY: B. CLEVEN
DRAWN BY: M.J. PERSSON
SCALE: 1:3
DATE: 2012/05/15
CONSULTANT NO.: 508955-0000-4800-0039

CHECKED BY: C. REIMER
APPROVED BY: C. REIMER
RELEASED FOR CONSTRUCTION BY: [Signature]
DATE: [Signature]

ENGINEER'S SEAL

PRELIMINARY
NOT TO BE
USED FOR
CONSTRUCTION

THE CITY OF WINNIPEG
WATER AND WASTE DEPARTMENT

MACLEAN WATER PUMPING STATION

PANEL LAYOUT AND SCHEMATIC
LCP-M608
HEATING CONTROL PANEL

CITY DRAWING NUMBER: 1-0630M-A0039
SHEET: 001
REV: 00
SIZE: A1