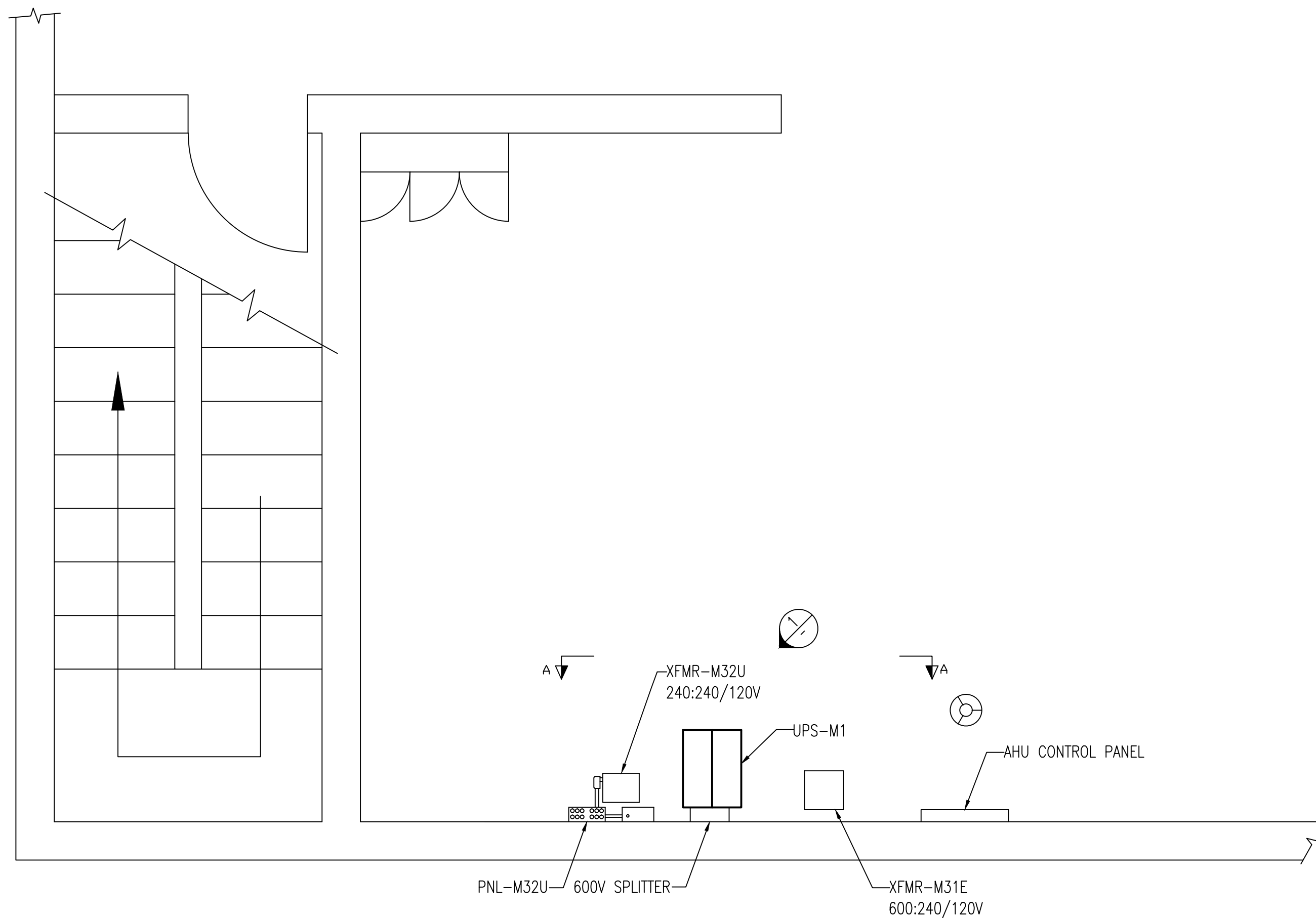
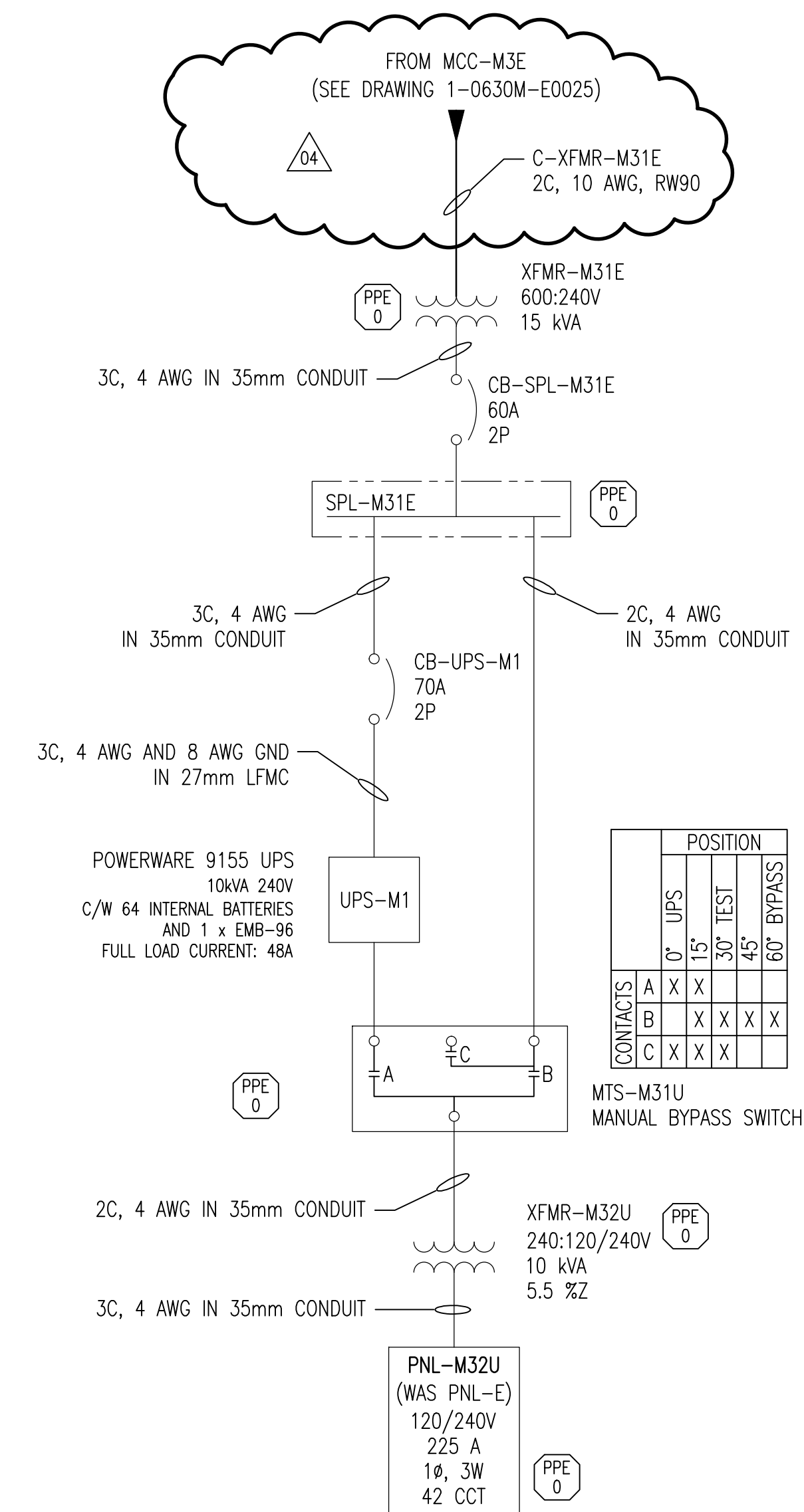




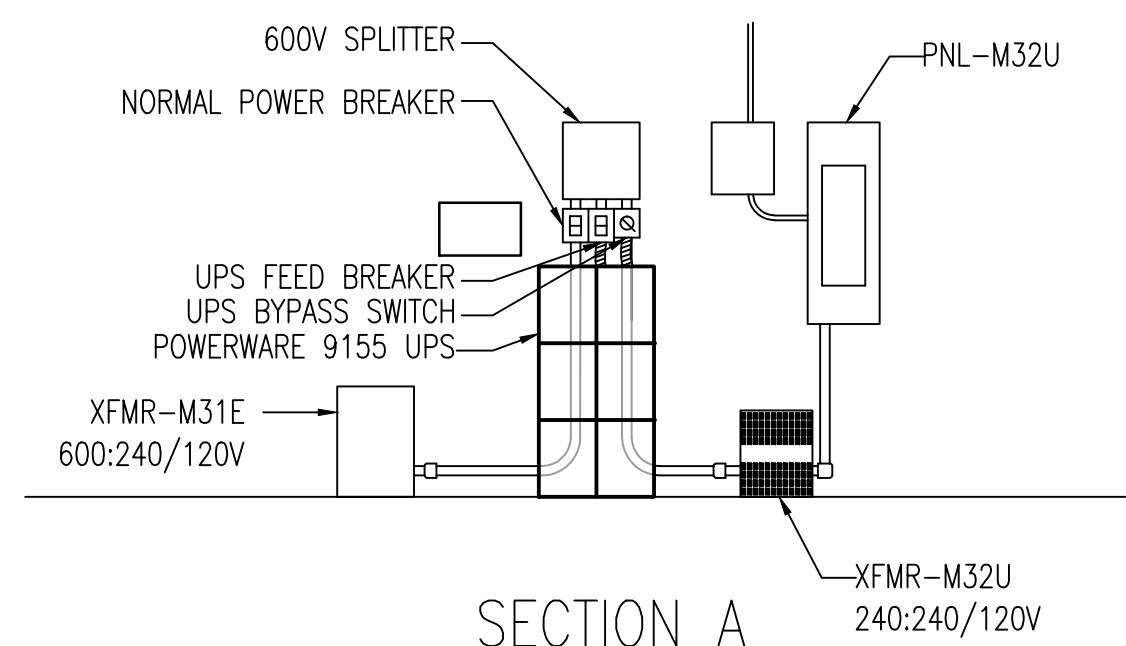
LEGEND	
LFMC	LIQUID TIGHT FLEXIBLE METAL CONDUIT
LFNMC	LIQUID TIGHT FLEXIBLE NON-METALLIC CONDUIT
RGS	RIGID GALVANIZED STEEL CONDUIT



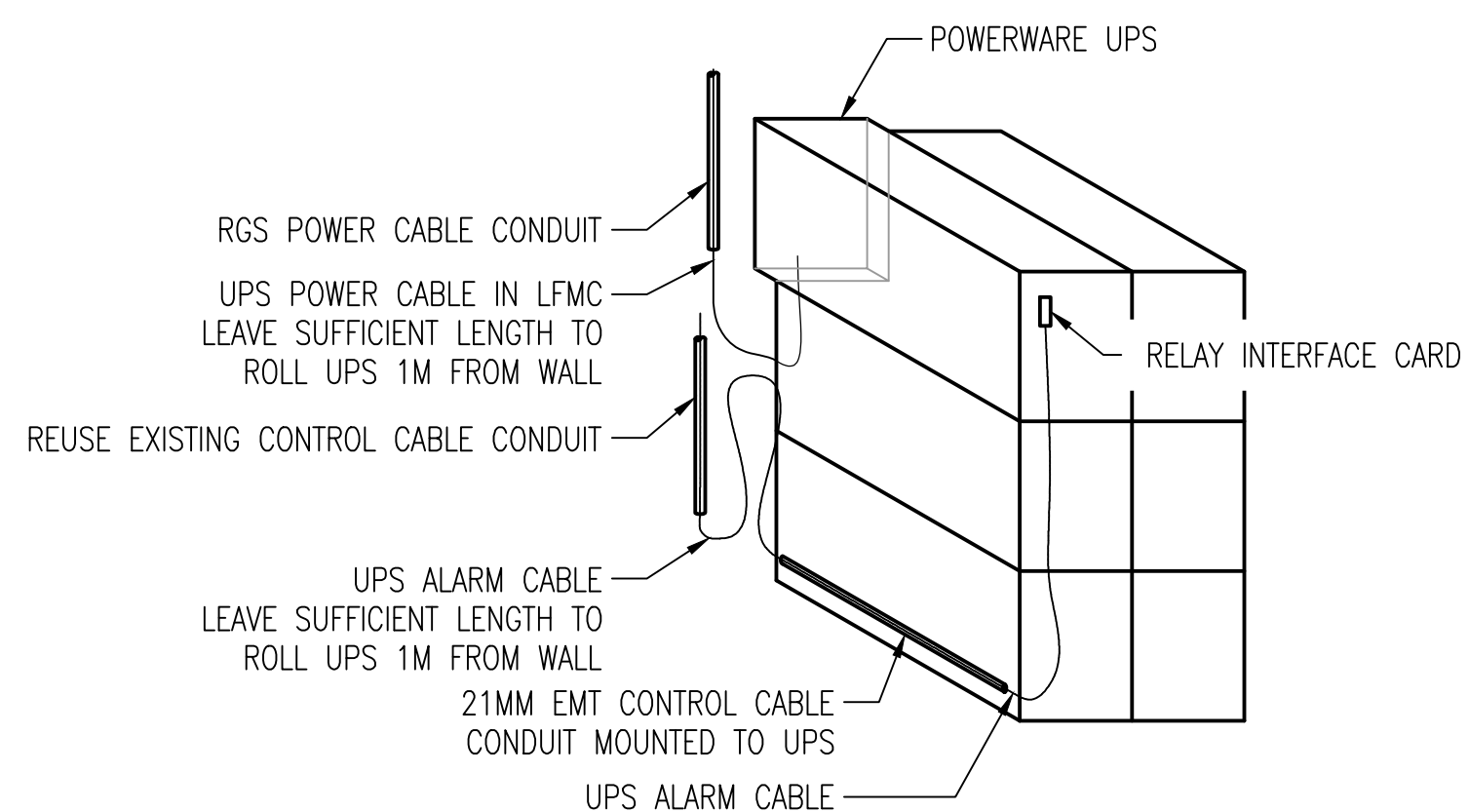
MECHANICAL LEVEL FLOOR PLAN
SCALE: N.T.S.



SINGLE LINE DIAGRAM



SECTION A
SCALE: N.T.S.



DETAIL 1 - UPS-M1
SCALE: N.T.S.

DRAWING NUMBER	REFERENCE DRAWINGS



NO.	REVISIONS	DATE	DESIGN	CHECK
04	ISSUED FOR TENDER, BID OPP. 490-2012	2012/07/23	BJC	CJR
03	ISSUED FOR CITY USE	2011/05/30	BC	CJR
02	AS BUILT	2008/11/24	AEO	-
01	ISSUED FOR CONSTRUCTION	2008/05/13	DC	-
00	ISSUED FOR TENDER	2008/01/08	AEO	-

 SNC-LAVALIN INC. 148 Nature Park Way Winnipeg, MB, Canada R3P 0X7 204-786-8080	
DESIGNED BY: C. REIMER	CHECKED BY: C. REIMER
DRAWN BY: A. OLIVER	APPROVED BY: C. REIMER
SCALE: NTS	RELEASED FOR CONSTRUCTION BY: DATE: 2007/07/05
CONSULTANT NO.: 508955-0000-47DD-0008	

ENGINEER'S SEAL
PRELIMINARY
NOT TO BE
USED FOR
CONSTRUCTION

 THE CITY OF WINNIPEG WATER AND WASTE DEPARTMENT			
MACLEAN WATER PUMPING STATION UPS UPGRADES SINGLE LINE DIAGRAM & LAYOUT REMOVALS & INSTALLATIONS			
CITY DRAWING NUMBER	SHEET	REV.	SIZE
1-0630M-E0008	001	04	A1