

FOR REFERENCE ONLY

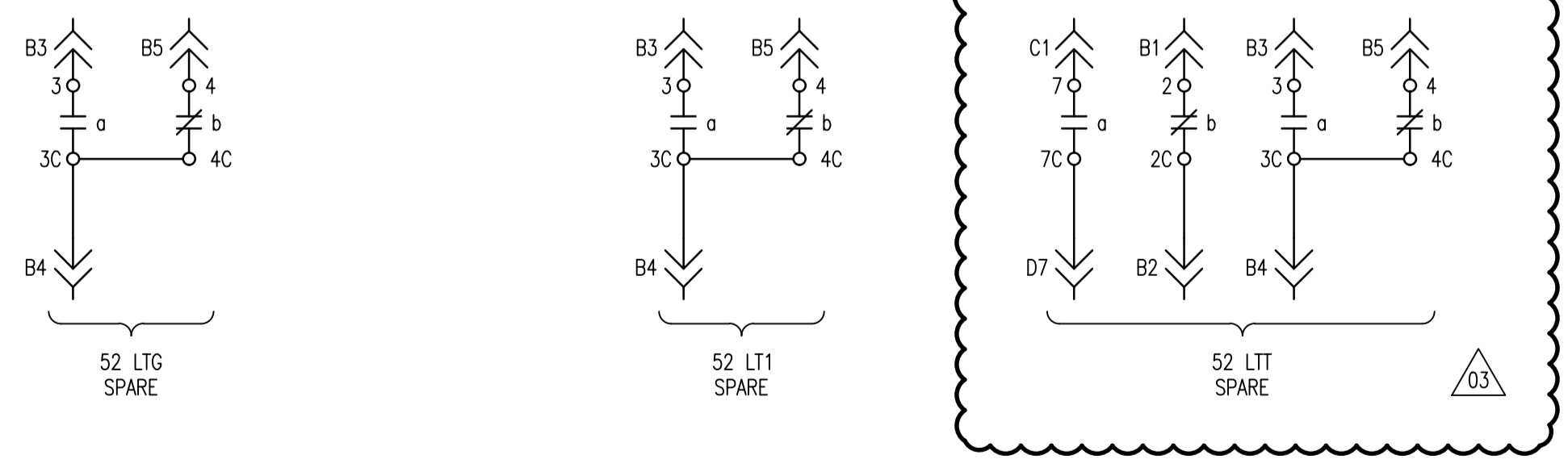
LEGEND:

DEVICE IDENTIFIERS:

- 27 UNDERVOLTAGE RELAY
- 27X AUXILIARY UNDERVOLTAGE RELAY
- 27X2 AUXILIARY UNDERVOLTAGE RELAY
- 43 MANUAL TRANSFER OR SELECTOR DEVICE
- 52 AC CIRCUIT BREAKER
- 83 AUTOMATIC SELECTIVE CONTROL OR TRANSFER RELAY
- G CUT-OFF SWITCH
- X AUXILIARY RELAY
- Y ANTI-PUMP RELAY; PREVENTS RECLOSING ON A SUSTAINED CLOSE COMMAND

DEVICE SUFFIXES:

- a NORMALLY OPEN BREAKER POSITION, CONTACT IS CLOSED WHEN BREAKER IS CLOSED
- aa CONTACT IS OPEN WHEN THE OPERATING MECHANISM IS IN THE NON-OPERATED POSITION.
- A AUTO
- b NORMALLY CLOSED BREAKER POSITION, CONTACT IS CLOSED WHEN THE BREAKER IS OPEN
- BA BELL ALARM
- bb CONTACT IS CLOSED WHEN THE OPERATING MECHANISM IS IN THE NON-OPERATED POSITION.
- CC CLOSING COIL
- M MANUAL
- PB PUSH BUTTON
- TC TRIP COIL



AS-BUILT DRAWING

THIS DRAWING WAS PREPARED USING UNVERIFIED INFORMATION PROVIDED BY OTHERS AND THEREFORE NO WARRANTY OR CERTIFICATION IS PROVIDED.

- NOTES:**
- THIS DRAWING IS BASED ON THE ORIGINAL SHOP DRAWING 113C1508 SHEET 4 OF 4.



NO.	REVISIONS	DATE	DESIGN	CHECK
03	REVISED 52 LIT SPARES	2011/11/14	BC	CJR
02	AS-BUILT	2011/06/07	BC	CJR
01	ISSUED FOR CONSTRUCTION	2011/01/03	BC	CJR
00	ISSUED FOR CITY USE	2011/01/03	BC	CJR

SNC-LAVALIN INC.
148 Nature Park Way
Winnipeg, MB, Canada R3P 0X7
204-786-8080

DESIGNED BY: EXISTING
CHECKED BY: B. CLEVEN
DRAWN BY: S. COATES
APPROVED BY: C. REIMER
SCALE: NTS
RELEASED FOR CONSTRUCTION BY: []
DATE: 2010/09/02
DATE: []
CONSULTANT NO.: 113099-0000-47DD-0002

ENGINEER'S SEAL

ORIGINAL DRAWING SEALED BY:
C. J. REIMER
SNC-LAVALIN
MEMBER #21968
2011/01/06
REV. 01
CHANGES ONLY

THE CITY OF WINNIPEG
WATER AND WASTE DEPARTMENT

MACLEAN WATER PUMPING STATION

CONTROL SCHEMATIC
600V SWITCHGEAR
BREAKERS 52LTI, 52LTG

CITY DRAWING NUMBER: 1-0630M-E0017
SHEET: 001
REV: 03
SIZE: A1