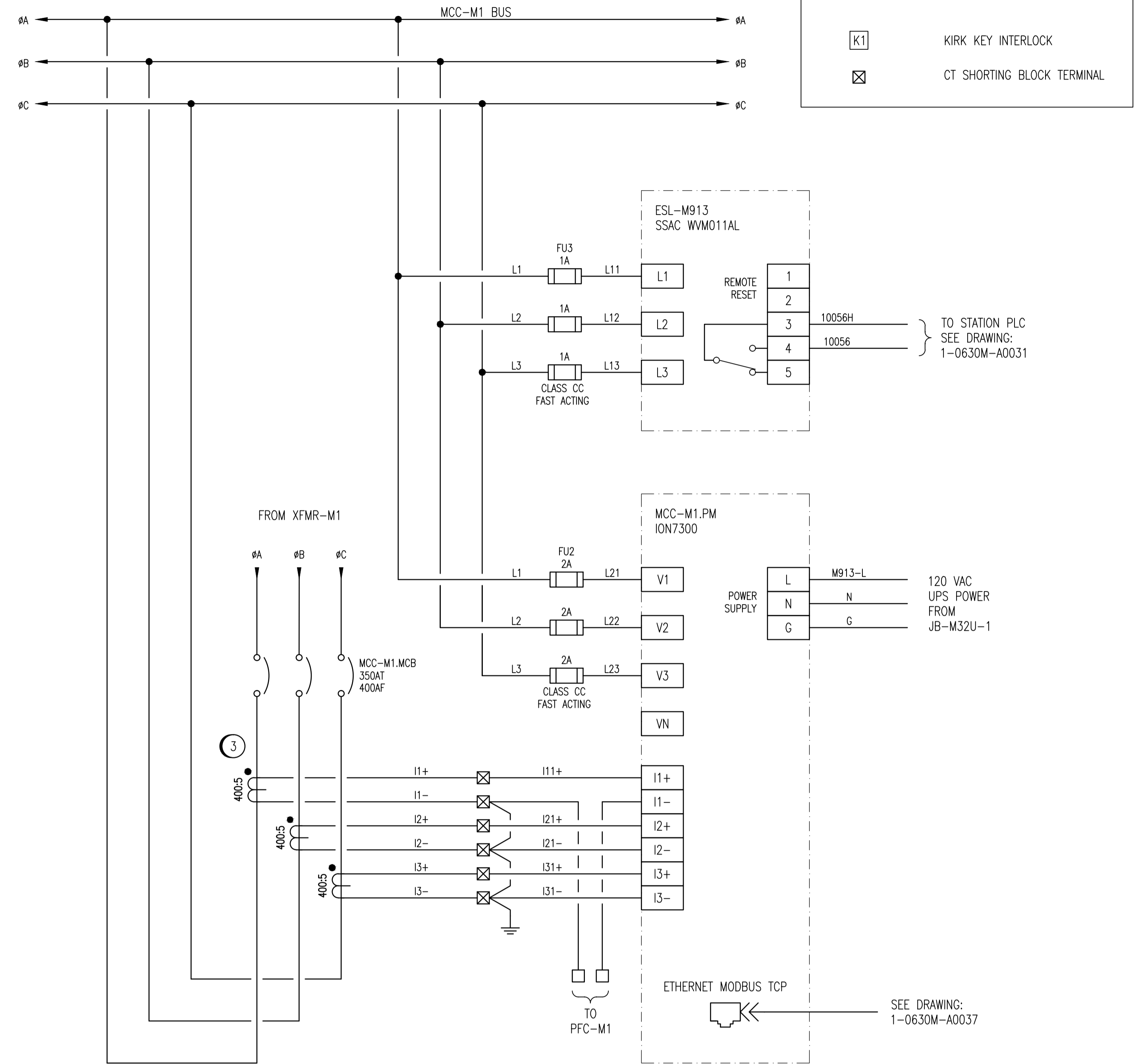


MCC-M1 ELEVATION - 'NON-ESSENTIAL'
SCALE: NTS



DETAIL: MCC-M1 POWER METER AND VOLTAGE MONITOR
SCALE: NTS

SPECIFIC NOTES:

- ① NO NEW FLOOR PENETRATION REQUIRED.
- ② LOCATE MCC SECTION ABOVE THE EXISTING FLOOR PENETRATION.
- ③ CONTRACTOR TO VERIFY CT RATINGS ARE ADEQUATE FOR THE BURDENS PRESENT.

1-0630M-E0066	JB-M32U-1 LAYOUT AND SCHEMATIC
1-0630M-E0028	MCC SCHEDULES
1-0630M-E0023	MCC-M1 SINGLE LINE DIAGRAM
DRAWING NUMBER	REFERENCE DRAWINGS



00	ISSUED FOR TENDER, BID OPP: 490-2012	2012/07/23	BJC	CJR
NO.	REVISIONS	DATE	DESIGN	CHECK

SNC-LAVALIN INC. 148 Nature Park Way Winnipeg, MB, Canada R3P 0X7 204-786-8080	
DESIGNED BY:	CHECKED BY:
B. CLEVEN	C. REIMER
DRAWN BY:	APPROVED BY:
M.J. PERSSON	C. REIMER
SCALE:	RELEASED FOR CONSTRUCTION BY:
NTS	
DATE:	DATE:
2011/12/19	
CONSULTANT NO.:	
508955-0000-47DD-0026	

ENGINEER'S SEAL
PRELIMINARY
NOT TO BE USED FOR CONSTRUCTION

THE CITY OF WINNIPEG WATER AND WASTE DEPARTMENT	
MACLEAN WATER PUMPING STATION	
MCC ELEVATION AND DETAILS MCC-M1	
CITY DRAWING NUMBER	SHEET REV. SIZE
1-0630M-E0026	001 00 A1