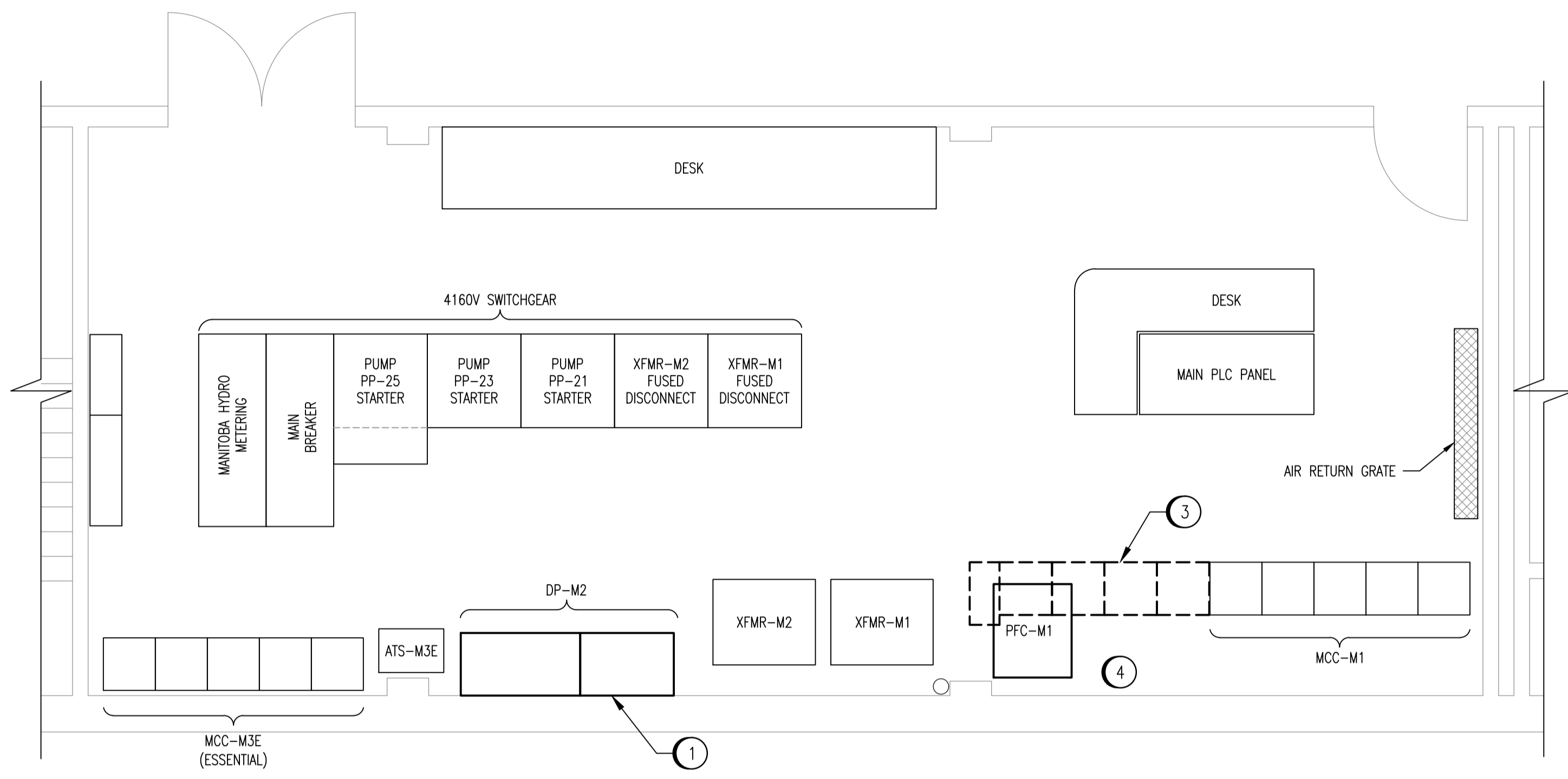


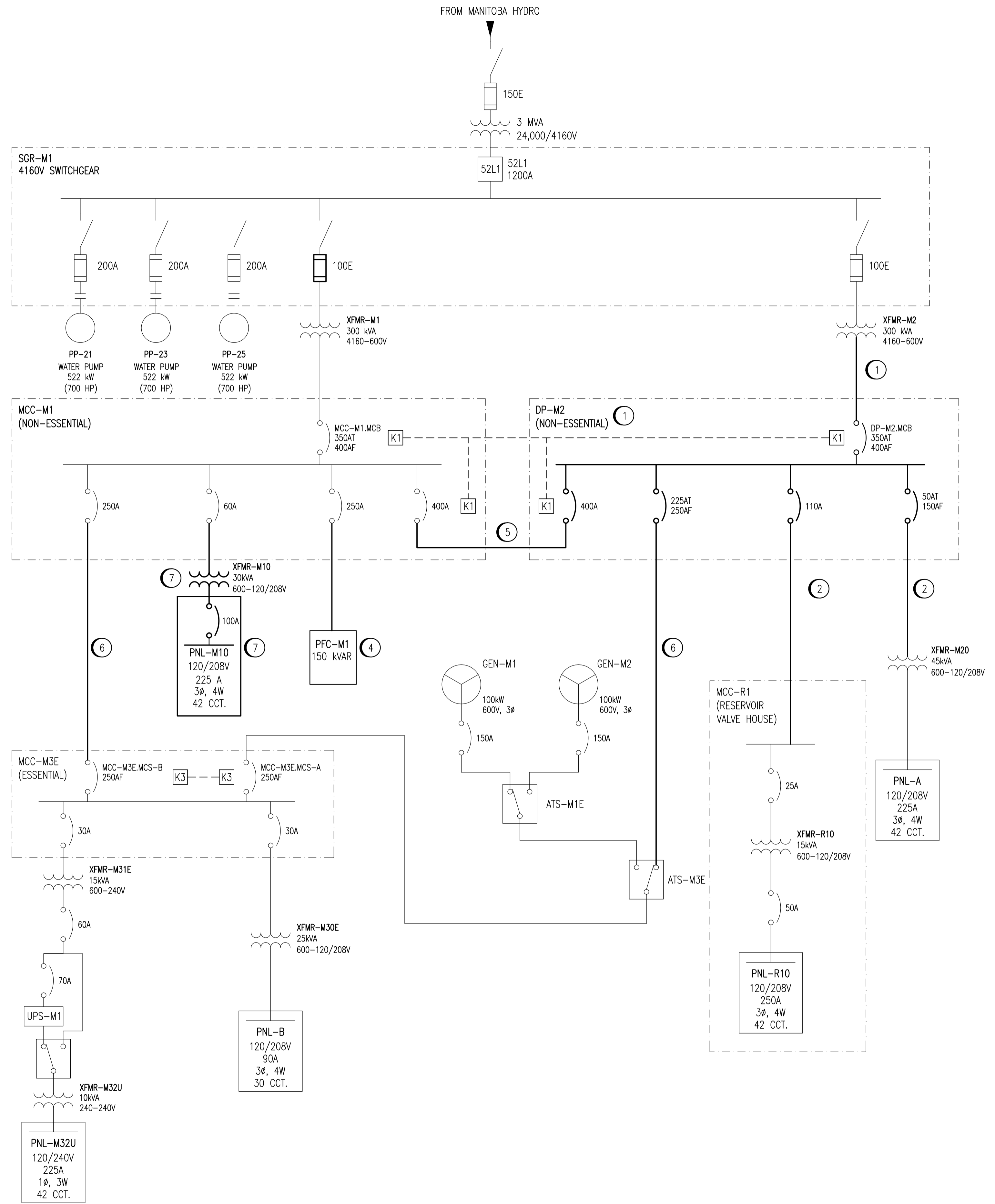
LEGEND:

- EXISTING
- NEW WORK
- - - DEMOLITION



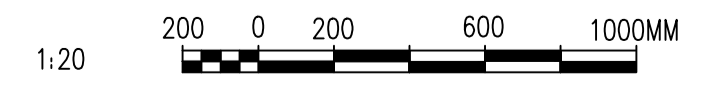
CONSTRUCTION SEQUENCE:

- 1 INSTALL NEW NON-ESSENTIAL DISTRIBUTION PANEL DP-M2. FEED FROM XFRM-M2.
- 2 MIGRATE LOADS FROM EXISTING NON-ESSENTIAL MCC TO DP-M2.
- 3 DEMOLISH EXISTING NON-ESSENTIAL MCC.
- 4 INSTALL POWER FACTOR CORRECTION UNIT, PFC-M1.
- 5 CONNECT THE TIE BREAKER IN MCC-M1 TO DP-M2.
- 6 CONNECT FEEDER BREAKER IN DP-M2 TO ATS-M3E. CONNECT MCC-M1 TO THE SECONDARY MAIN MOULDED CASE SWITCH WITHIN MCC-M3E.
- 7 INSTALL AND CONNECT XFRM-M10 AND PNL-M10 TO MCC-M1.



LAST SAVE: 2012/07/27 - 7:26am
 PATH: M:\508955\4ENG\47ELE\DD - General DWG\1-0630M-E0039-001-00.dwg

1-0630M-E0022	SINGLE LINE DIAGRAM - OVERVIEW
DRAWING NUMBER	REFERENCE DRAWINGS



NO.	REVISIONS	DATE	DESIGN	CHECK
00	ISSUED FOR TENDER, BID OPP: 490-2012	2012/07/23	VE	CJR

SNC-Lavalin Inc.
 148 Nature Park Way
 Winnipeg, MB, Canada R3P 0X7
 204-798-8080

DESIGNED BY: V. ELIMBAN
 CHECKED BY: C. REIMER
 DRAWN BY: M.J. PERSSON
 APPROVED BY: C. REIMER
 SCALE: NTS
 RELEASED FOR CONSTRUCTION BY:
 DATE: 2011/12/20
 DATE:

CONSULTANT NO.: 508955-0000-47DD-0039

ENGINEER'S SEAL

PRELIMINARY
 NOT TO BE
 USED FOR
 CONSTRUCTION

THE CITY OF WINNIPEG
 WATER AND WASTE DEPARTMENT

MACLEAN WATER PUMPING STATION

CONSTRUCTION PLAN
 ELECTRICAL ROOM
 PHASE 4

CITY DRAWING NUMBER: 1-0630M-E0039
 SHEET: 001
 REV: 00
 SIZE: A1