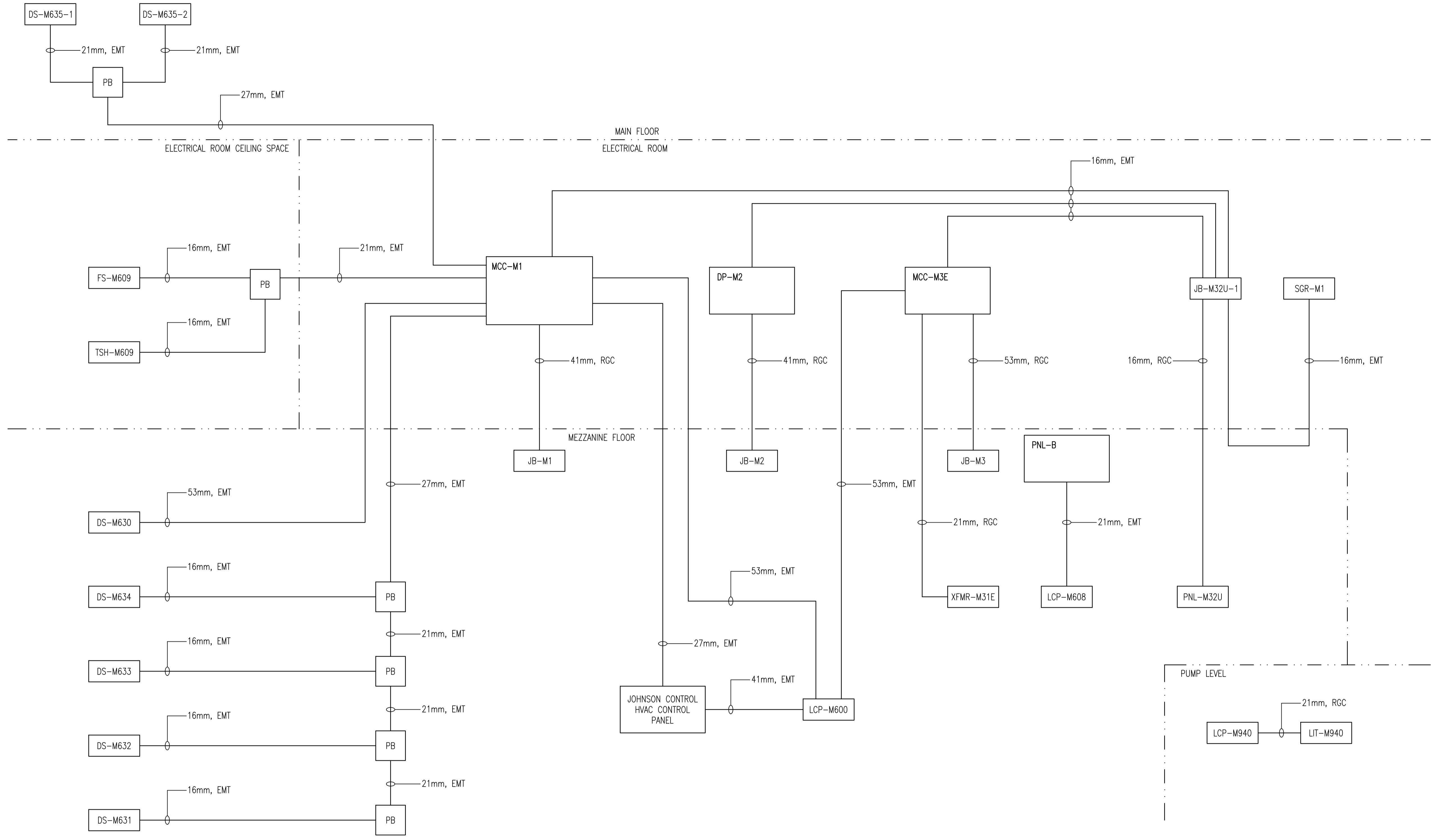


LEGEND	
RGC	RIGID GALVANIZED CONDUIT
PB	PULL BOX
EMT	ELECTRICAL METALLIC TUBING



CONDUIT RISER DIAGRAM
SCALE: NTS

- NOTES:**
1. INSTALL ADDITIONAL PULL BOXES AS REQUIRED.
 2. NOT ALL CONDUITS ARE NECESSARILY SHOWN. THE LACK OF A CONDUIT ON THIS DRAWING DOES NOT ELIMINATE THE REQUIREMENT FOR CONDUIT INSTALLATION.
 3. INSTALL APPROPRIATELY RATED GREEN GROUND (BONDING) WIRES IN ALL CONDUIT.
 4. ALL FITTINGS ARE TO BE LIQUID-TITE.



NO.	REVISIONS	DATE	DESIGN	CHECK
00	ISSUED FOR TENDER, BID OPP: 490-2012	2012/07/23	VE	CJR

		SNC-LAVALIN INC. 148 Nature Park Way Winnipeg, MB, Canada R3P 0X7 204-786-8080	
DESIGNED BY:	V. ELIMBAN	CHECKED BY:	C. REIMER
DRAWN BY:	M.J. PERSSON	APPROVED BY:	C. REIMER
SCALE:	NTS	RELEASED FOR CONSTRUCTION BY:	
DATE:	2012/06/14	DATE:	
CONSULTANT NO.: 508955-0000-47DD-0040			

ENGINEER'S SEAL
PRELIMINARY
NOT TO BE USED FOR CONSTRUCTION

THE CITY OF WINNIPEG WATER AND WASTE DEPARTMENT	
MACLEAN WATER PUMPING STATION CONDUIT RISER DIAGRAM	
CITY DRAWING NUMBER	SHEET REV. SIZE
1-0630M-E0040	001 00 A1