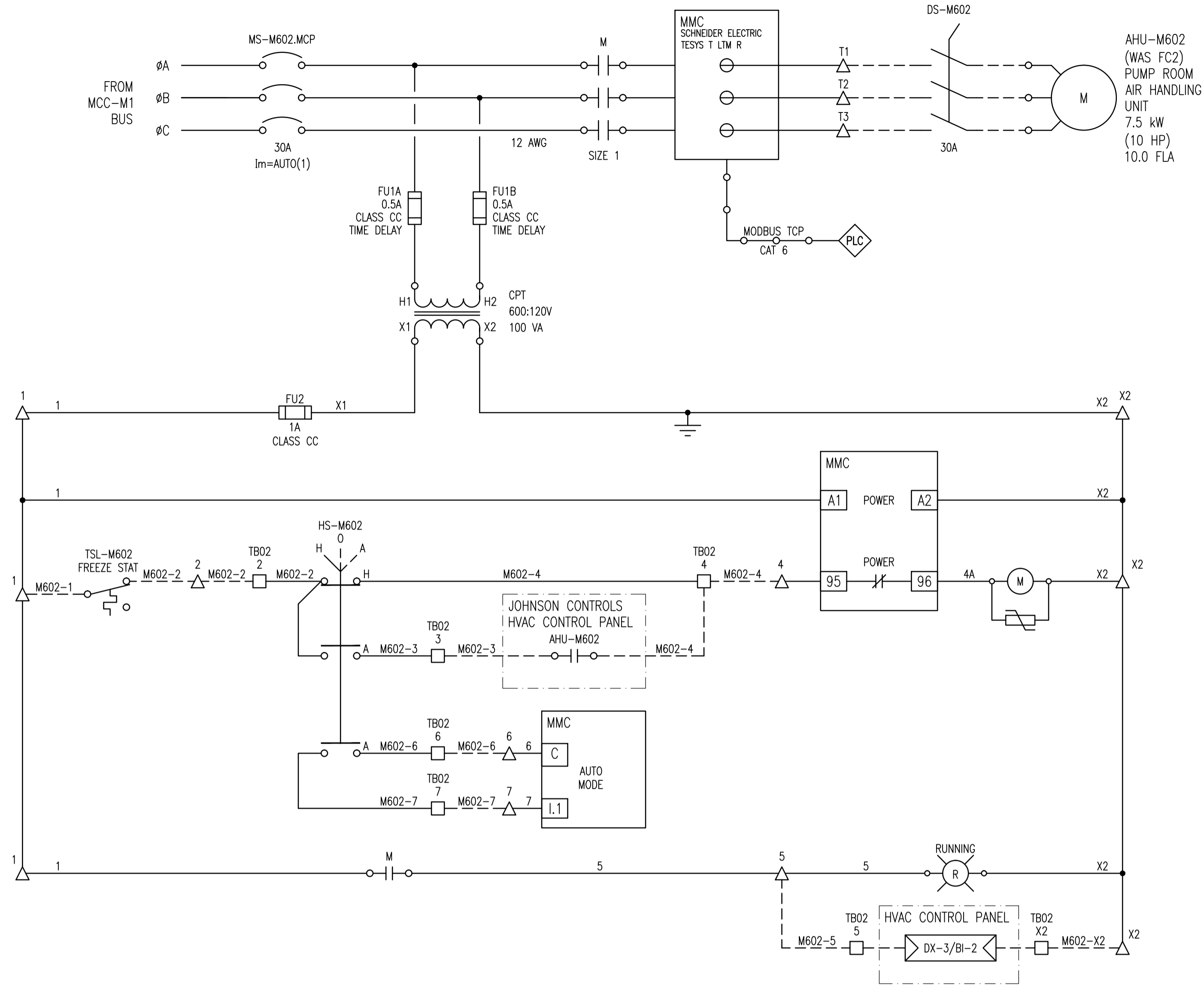
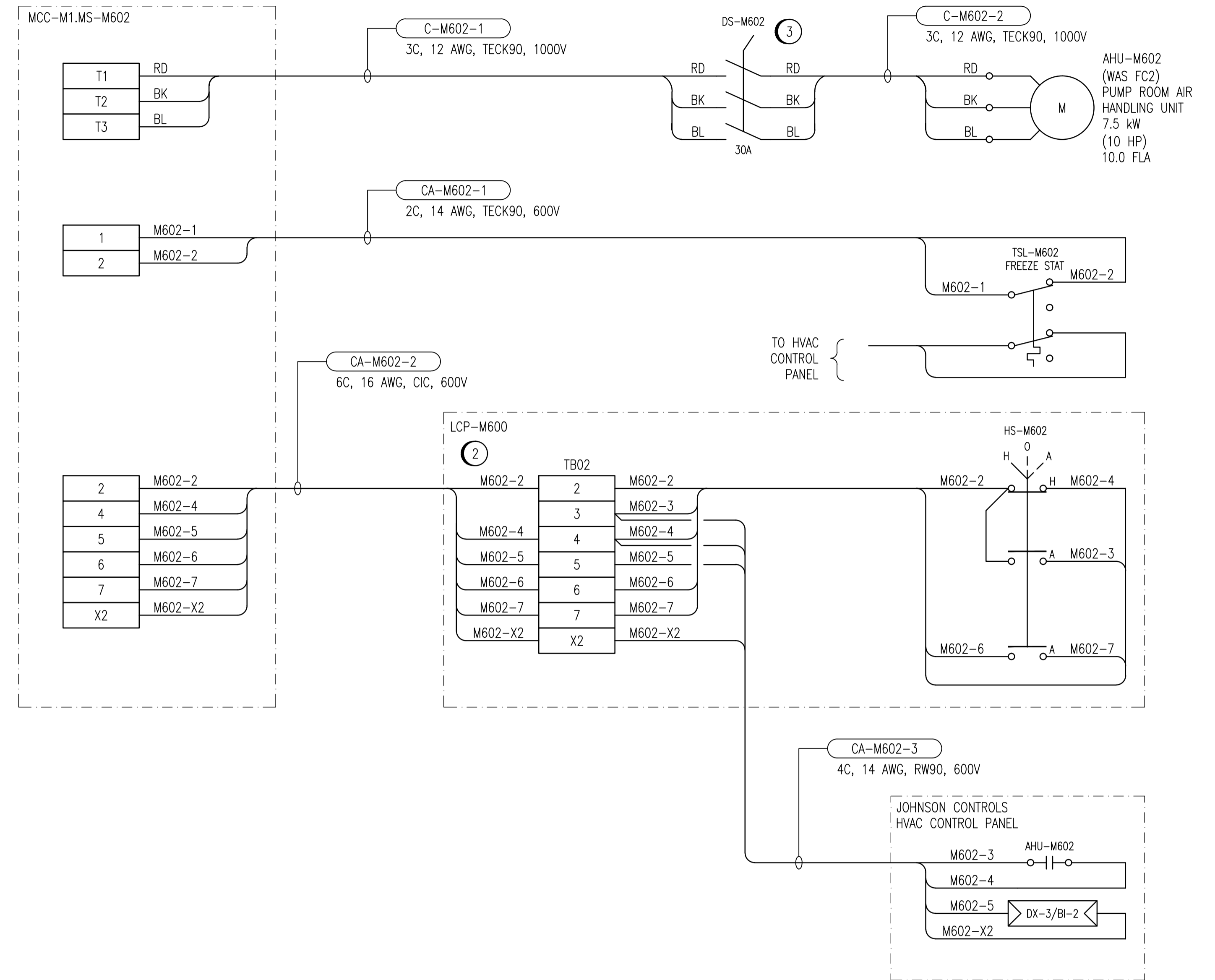


ELEMENTARY DIAGRAM:



FIELD CONNECTION DIAGRAM:



CONSTRUCTION NOTES:

- ① CONFIRM THAT ALL EXISTING CONTROLS ARE REPLACED BY THE NEW CONTROLS. ADVISE THE CONTRACT ADMINISTRATOR OF ANY EXISTING INTERLOCKS OR CONTROLS NOT SHOWN ON THIS DRAWING.
- ② INSTALL NEW LCP-M600 TO REPLACE EXISTING HVAC HOA SWITCHES.
- ③ SUPPLY AND INSTALL NEW DISCONNECT SWITCH.

LEGEND:

- △ TERMINAL IN MOTOR STARTER COMPARTMENT
- TERMINAL IN LCP-M600
- ⊙ (R) INDICATING LIGHT, R = RED, A = AMBER
- ⊙ (M) CONTACTOR COIL
- ⊏ TRANSIENT VOLTAGE SUPPRESSOR
- ⊏ HVAC CONTROLLER INPUT

1-0630M-E0025	MCC-M3E SINGLE LINE DIAGRAM
DRAWING NUMBER	REFERENCE DRAWINGS



DESIGNED BY:	B. CLEVEN	CHECKED BY:	C. REIMER
DRAWN BY:	M.J. PERSSON	APPROVED BY:	C. REIMER
SCALE:	NTS	RELEASED FOR CONSTRUCTION BY:	
DATE:	2012/05/03	DATE:	
ISSUED FOR TENDER, BID OPP: 490-2012	2012/07/23	DESIGN	BJC
NO. REVISIONS	DATE	DESIGN	CJR

SNC-LAVALIN INC.
 148 Nature Park Way
 Winnipeg, MB, Canada R3P 0X7
 204-786-8080

DESIGNED BY: B. CLEVEN
 CHECKED BY: C. REIMER
 DRAWN BY: M.J. PERSSON
 APPROVED BY: C. REIMER
 SCALE: NTS
 RELEASED FOR CONSTRUCTION BY:
 DATE: 2012/05/03
 DATE:
 CONSULTANT NO.: 508955-0000-47DD-0046

ENGINEER'S SEAL

PRELIMINARY
 NOT TO BE
 USED FOR
 CONSTRUCTION

THE CITY OF WINNIPEG
 WATER AND WASTE DEPARTMENT

MACLEAN WATER PUMPING STATION

MOTOR STARTER SCHEMATIC
 AHU-M602
 PUMP ROOM AIR HANDLING UNIT

CITY DRAWING NUMBER: 1-0630M-E0046
 SHEET: 001
 REV: 00
 SIZE: A1