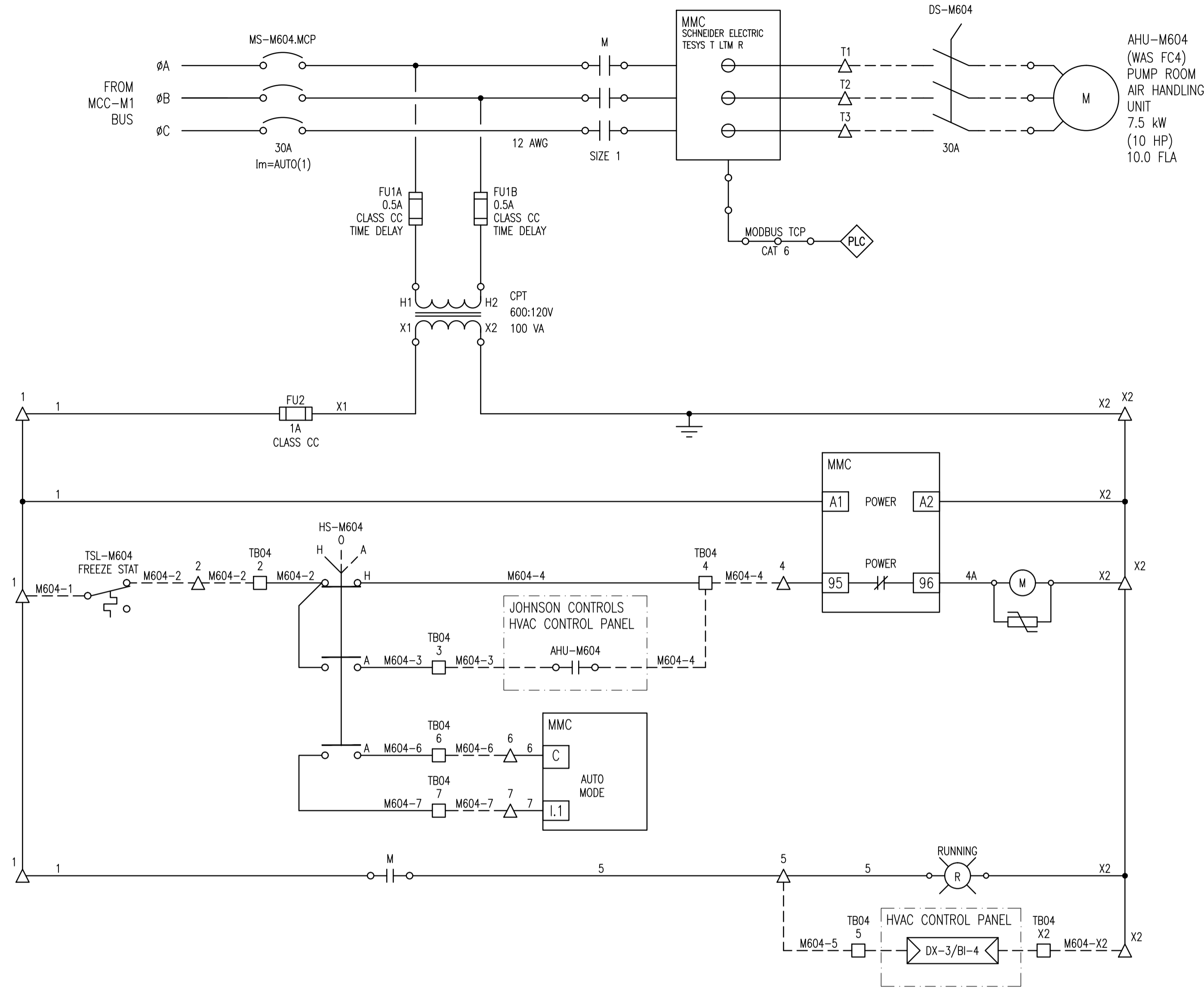
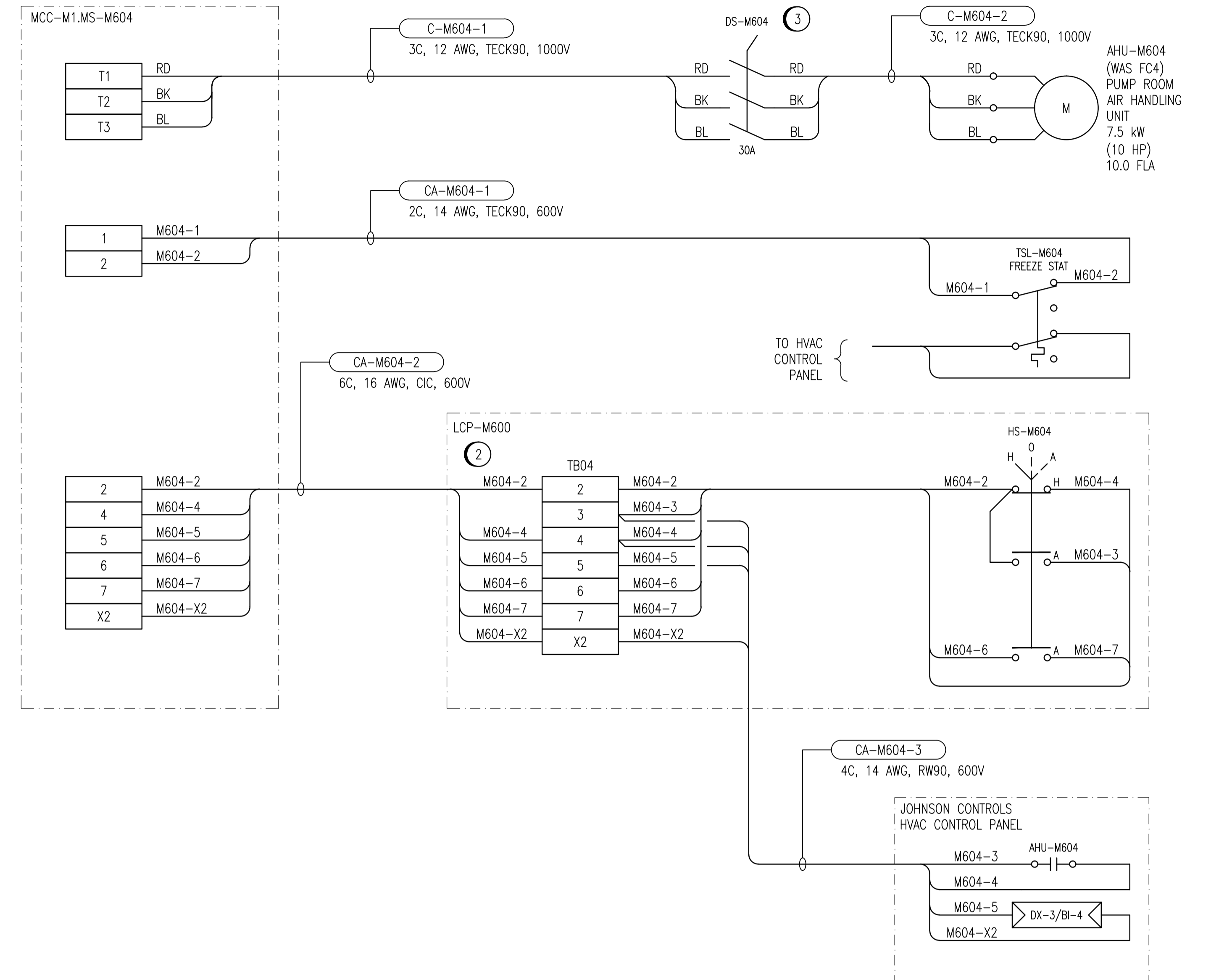


ELEMENTARY DIAGRAM:



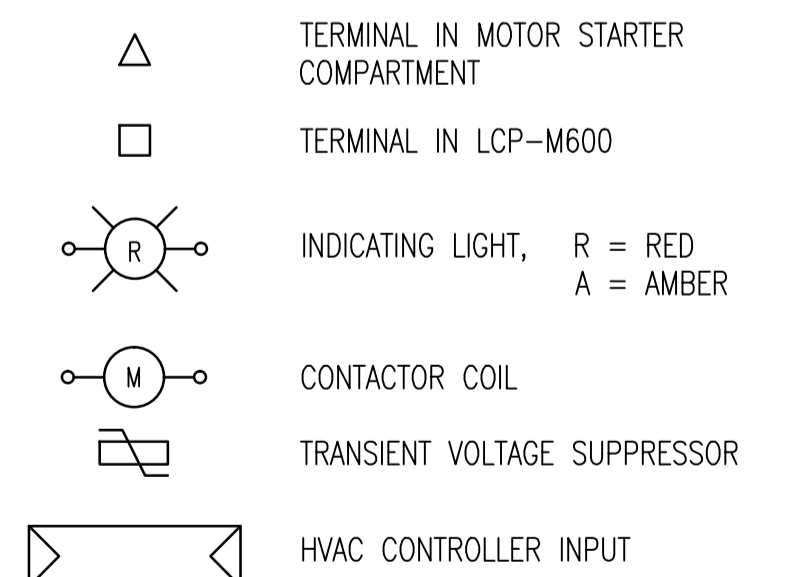
FIELD CONNECTION DIAGRAM:



CONSTRUCTION NOTES:

- ① CONFIRM THAT ALL EXISTING CONTROLS ARE REPLACED BY THE NEW CONTROLS. ADVISE THE CONTRACT ADMINISTRATOR OF ANY EXISTING INTERLOCKS OR CONTROLS NOT SHOWN ON THIS DRAWING.
- ② INSTALL NEW LCP-M600 TO REPLACE EXISTING HVAC HOA SWITCHES.
- ③ UTILIZE EXISTING DISCONNECT SWITCH.

LEGEND:



1-0630M-E0025	MCC-M3E SINGLE LINE DIAGRAM
DRAWING NUMBER	REFERENCE DRAWINGS



NO.	REVISIONS	DATE	DESIGN	CHECK
00	ISSUED FOR TENDER, BID OPP: 490-2012	2012/07/23	BJC	CJR

 SNC-LAVALIN INC. 148 Nature Park Way Winnipeg, MB, Canada R3P 0X7 204-786-8080	
DESIGNED BY: B. CLEVEN	CHECKED BY: C. REIMER
DRAWN BY: M.J. PERSSON	APPROVED BY: C. REIMER
SCALE: NTS	RELEASED FOR CONSTRUCTION BY: DATE: 2012/05/03
CONSULTANT NO.: 508955-0000-47DD-0048	

ENGINEER'S SEAL
PRELIMINARY
 NOT TO BE
 USED FOR
 CONSTRUCTION

 THE CITY OF WINNIPEG WATER AND WASTE DEPARTMENT	
MACLEAN WATER PUMPING STATION	
MOTOR STARTER SCHEMATIC AHU-M604 PUMP ROOM AIR HANDLING UNIT	
CITY DRAWING NUMBER 1-0630M-E0048	SHEET REV. SIZE 001 00 A1