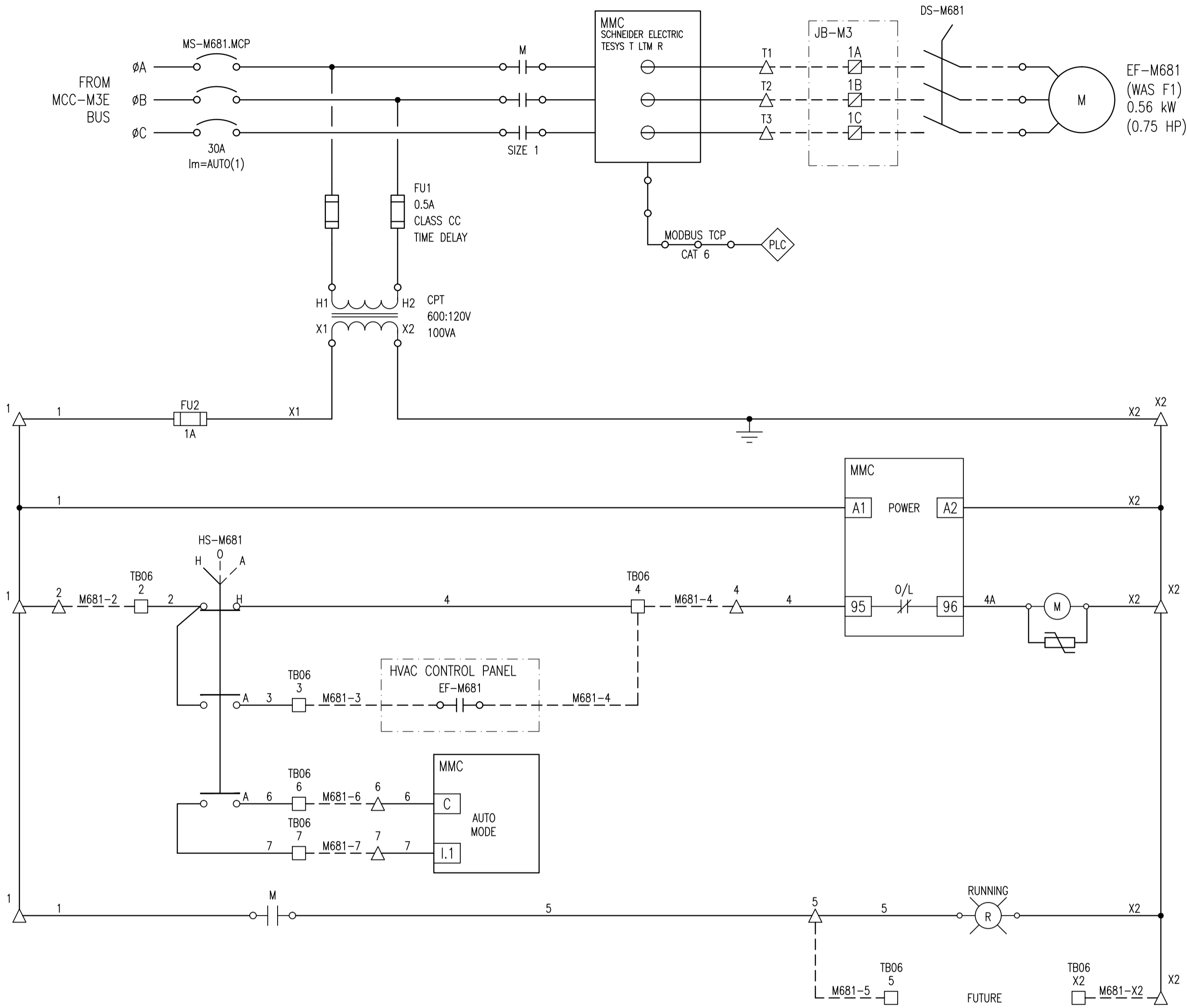
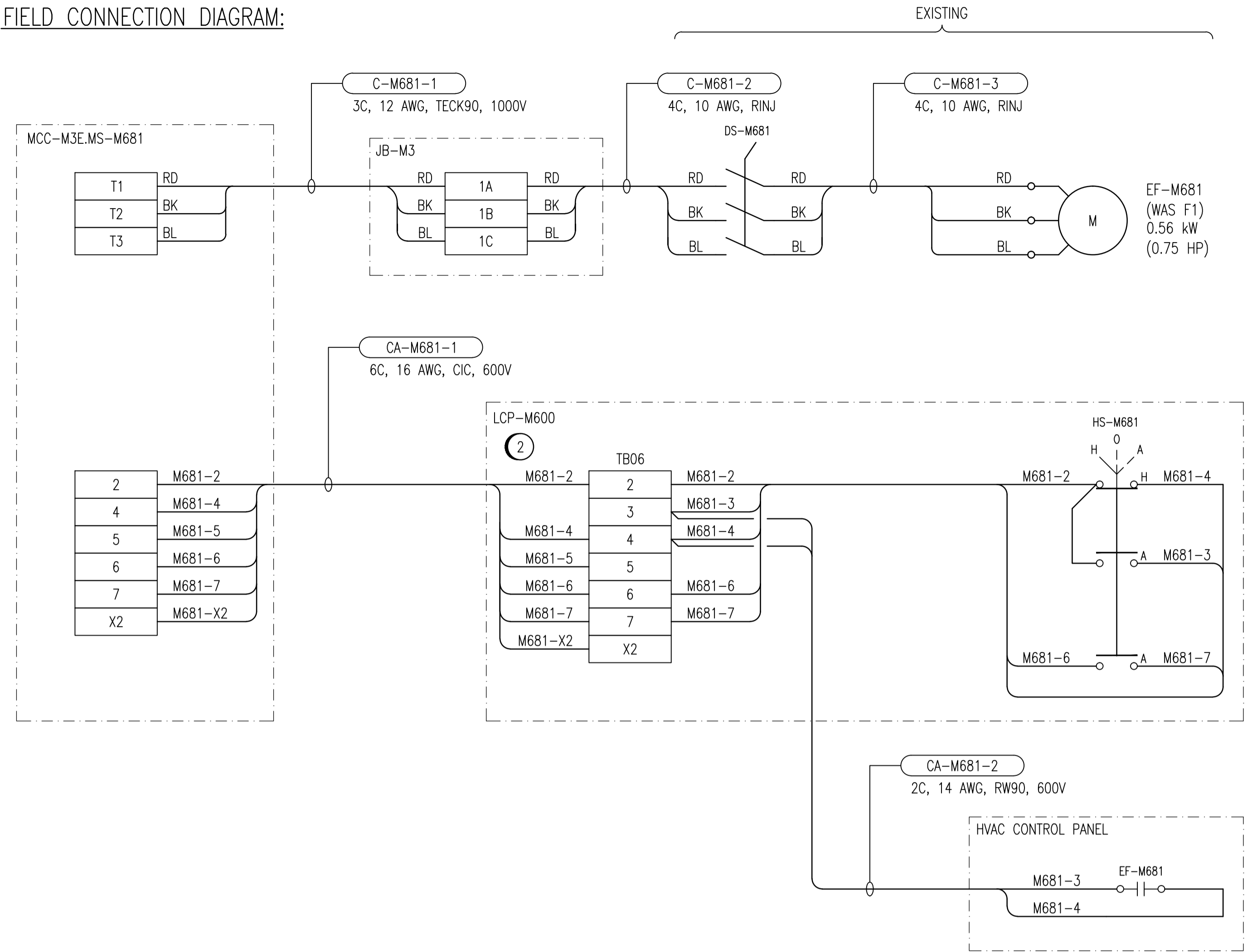


ELEMENTARY DIAGRAM:



FIELD CONNECTION DIAGRAM:



CONSTRUCTION NOTES:

- ① CONFIRM THAT ALL EXISTING CONTROLS ARE REPLACED BY THE NEW CONTROLS. ADVISE THE CONTRACT ADMINISTRATOR OF ANY EXISTING INTERLOCKS OR CONTROLS NOT SHOWN ON THIS DRAWING.
- ② INSTALL NEW LCP-M600 TO REPLACE EXISTING HVAC HOA SWITCHES.

LEGEND:

- △ TERMINAL IN MOTOR STARTER COMPARTMENT
- TERMINAL IN LCP-M600
- ▣ TERMINAL IN JUNCTION BOX
- ⊙(R) INDICATING LIGHT, R = RED, A = AMBER
- ⊙(M) CONTACTOR COIL
- ⊎ TRANSIENT VOLTAGE SUPPRESSOR

| | |
|----------------|------------------------------|
| 1-0630M-E0027 | MCC ELEVATION, MCC-M3E |
| 1-0630M-E0025 | SINGLE LINE DIAGRAM, MCC-M3E |
| DRAWING NUMBER | REFERENCE DRAWINGS |



| | | | |
|-----------------------------|--------------|-------------------------------|--------------|
| DESIGNED BY: | B. CLEVEN | CHECKED BY: | C. REIMER |
| DRAWN BY: | M.J. PERSSON | APPROVED BY: | C. REIMER |
| SCALE: | NTS | RELEASED FOR CONSTRUCTION BY: | |
| DATE: | 2012/03/26 | DATE: | |
| ISSUED FOR TENDER, BID OPP: | 490-2012 | DATE: | 2012/07/23 |
| DESIGN: | BJC | CHECK: | CJR |
| NO. | REVISIONS | DATE | DESIGN CHECK |

SNC-LAVALIN INC.
148 Nature Park Way
Winnipeg, MB, Canada R3P 0X7
204-786-8080

CONSULTANT NO.: 508955-0000-47DD-0050

ENGINEER'S SEAL

PRELIMINARY
NOT TO BE
USED FOR
CONSTRUCTION

THE CITY OF WINNIPEG
WATER AND WASTE DEPARTMENT

MACLEAN WATER PUMPING STATION

MOTOR STARTER SCHEMATIC
EF-M681
PUMP ROOM EXHAUST FAN

CITY DRAWING NUMBER: 1-0630M-E0050

SHEET: 001

REV: 00

SIZE: A1