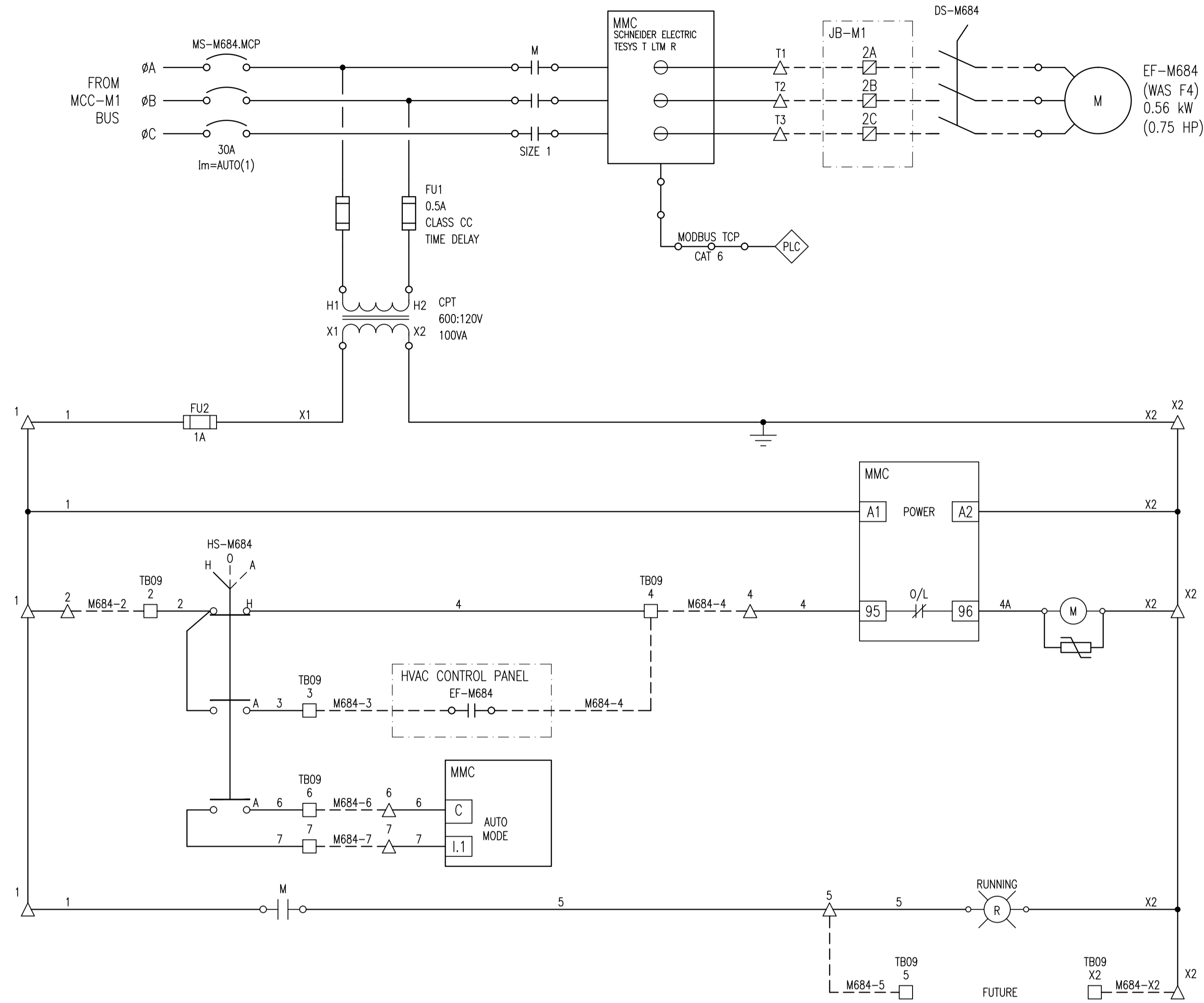
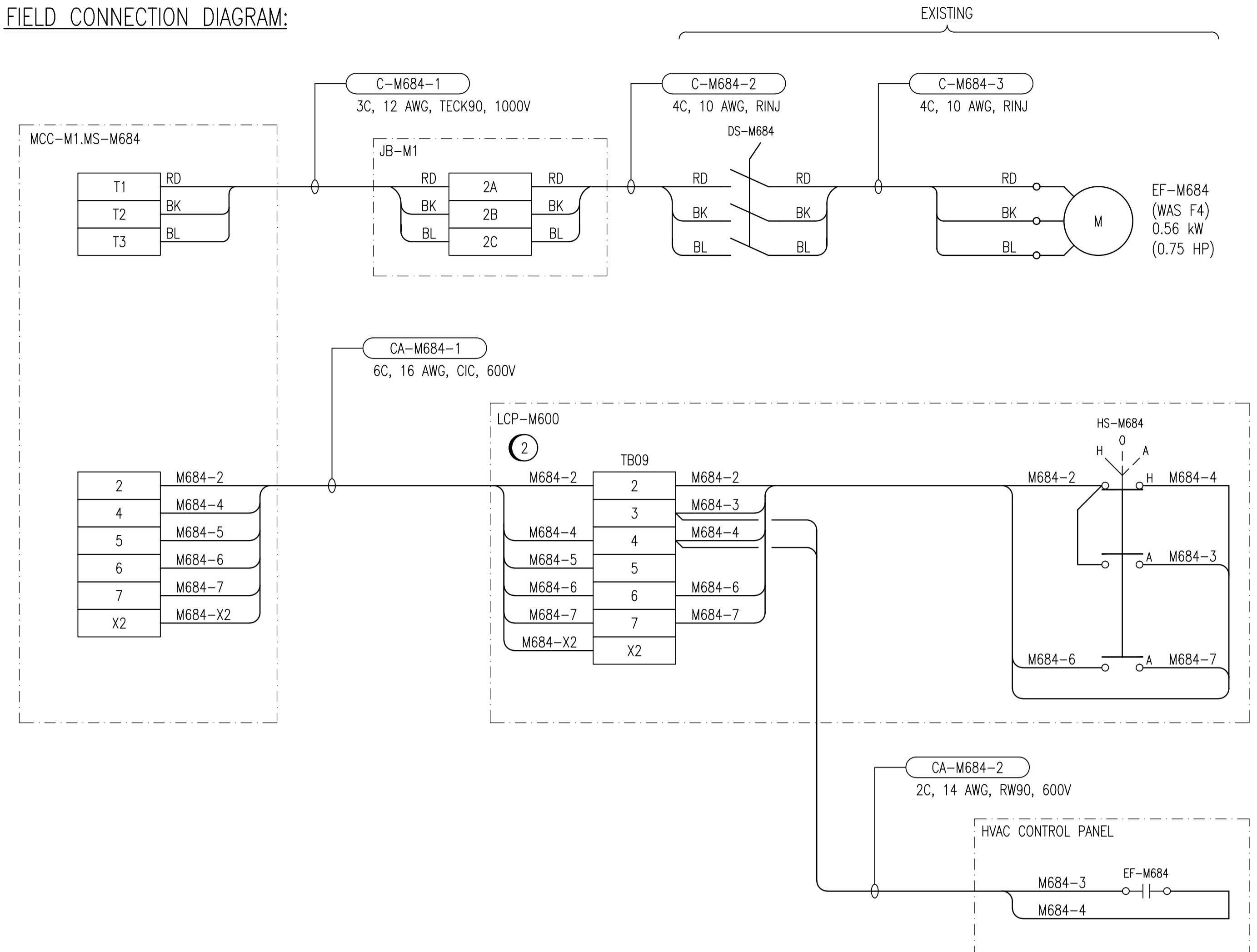


A1 SIZE - 594mm x 841mm

ELEMENTARY DIAGRAM:



FIELD CONNECTION DIAGRAM:



CONSTRUCTION NOTES:

- ① CONFIRM THAT ALL EXISTING CONTROLS ARE REPLACED BY THE NEW CONTROLS. ADVISE THE CONTRACT ADMINISTRATOR OF ANY EXISTING INTERLOCKS OR CONTROLS NOT SHOWN ON THIS DRAWING.
- ② INSTALL NEW LCP-M600 TO REPLACE EXISTING HVAC HOA SWITCHES.

LEGEND:

- △ TERMINAL IN MOTOR STARTER COMPARTMENT
- TERMINAL IN LCP-M600
- ▣ TERMINAL IN JUNCTION BOX
- ⊙(R) INDICATING LIGHT, R = RED, A = AMBER
- ⊙(M) CONTACTOR COIL
- ⊎ TRANSIENT VOLTAGE SUPPRESSOR

LAST SAVE: 2012/07/27 - 7:50am
 PATH: M:\508955\4ENG\47ELE\DD - General DWG\1-0630M-E0053-001-00.dwg

1-0630M-E0026	MCC ELEVATION, MCC-M1
1-0630M-E0023	SINGLE LINE DIAGRAM, MCC-M1
DRAWING NUMBER	REFERENCE DRAWINGS



SNC-LAVALIN INC. 148 Nature Park Way Winnipeg, MB, Canada R3P 0X7 204-786-8080	
DESIGNED BY: B. CLEVEN	CHECKED BY: C. REIMER
DRAWN BY: M.J. PERSSON	APPROVED BY: C. REIMER
SCALE: NTS	RELEASED FOR CONSTRUCTION BY: DATE:
DATE: 2012/05/03	DATE:
ISSUED FOR TENDER, BID OPP: 490-2012	2012/07/23 BJC CJR
CONSULTANT NO.: 508955-0000-47DD-0053	

ENGINEER'S SEAL
PRELIMINARY
 NOT TO BE
 USED FOR
 CONSTRUCTION

THE CITY OF WINNIPEG WATER AND WASTE DEPARTMENT	
MACLEAN WATER PUMPING STATION	
MOTOR STARTER SCHEMATIC EF-M684 PUMP ROOM EXHAUST FAN	
CITY DRAWING NUMBER 1-0630M-E0053	SHEET REV. SIZE 001 00 A1

1-0630M-E0053-001-00.dwg