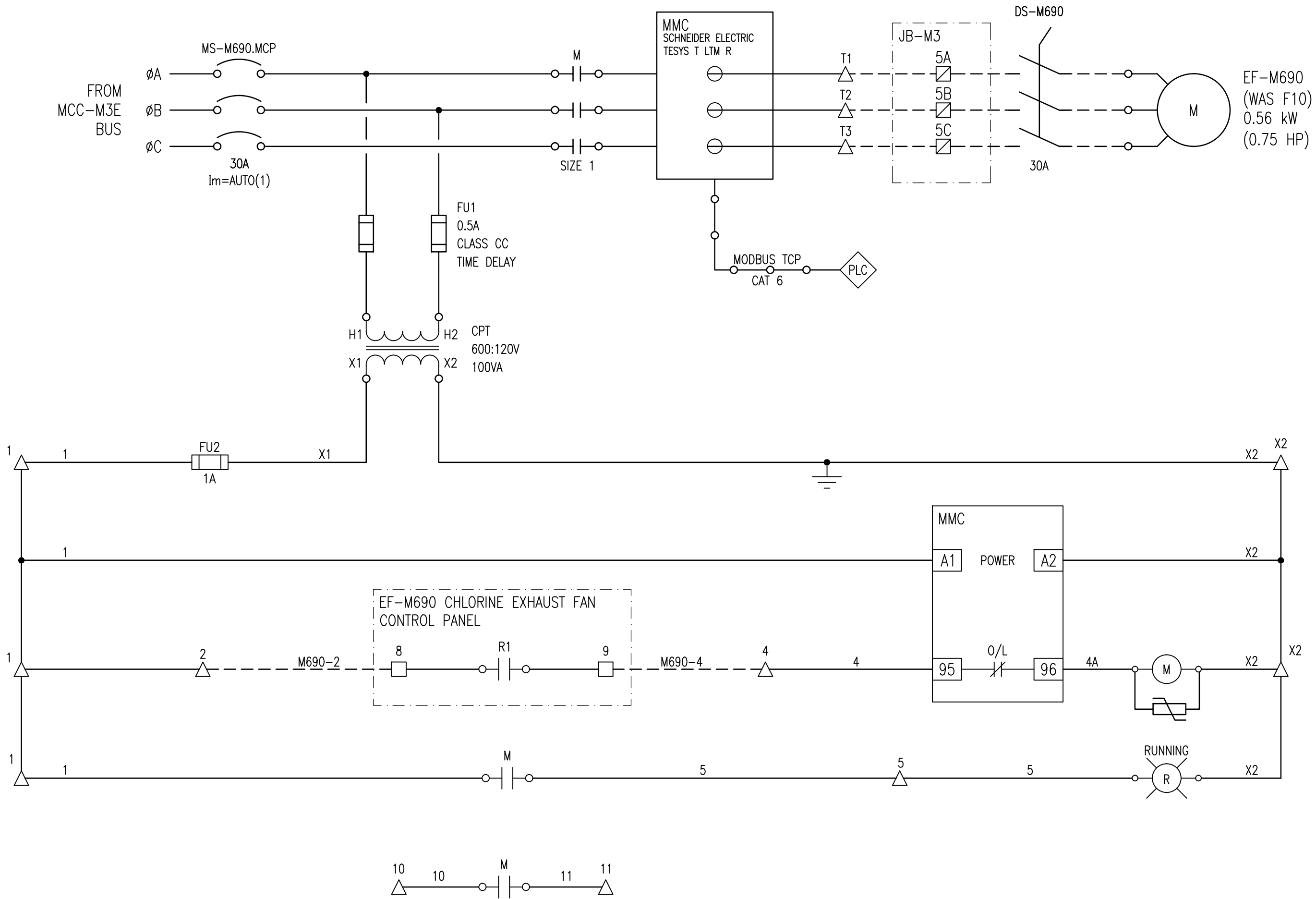
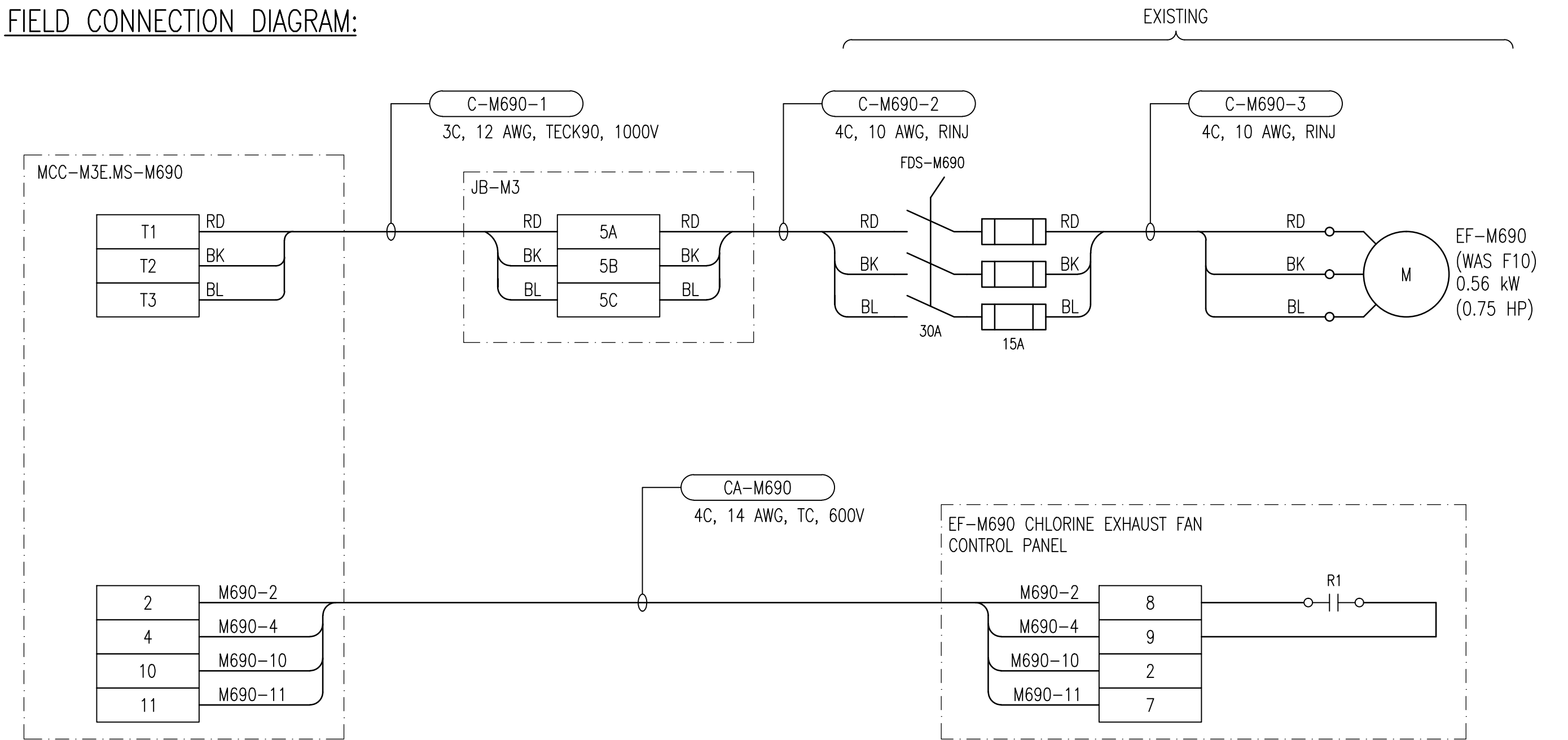


ELEMENTARY DIAGRAM:



FIELD CONNECTION DIAGRAM:



CONSTRUCTION NOTES:

- INVESTIGATE EXISTING WIRING TO THE EXHAUST FAN CONTROL PANEL(S) AND MODIFY WIRING FROM THAT SHOWN AS REQUIRED TO REPLICATE EXISTING FUNCTIONALITY. PROVIDE AS-BUILT MARKUPS TO THE CONTRACT ADMINISTRATOR.
- PROVIDE IDENTIFICATION LAMACOIDS FOR ALL CHLORINE EXHAUST FAN CONTROL PANELS APPLICABLE TO EF-M690.

LEGEND:

- TERMINAL IN MOTOR STARTER COMPARTMENT
- TERMINAL IN LCP-M600
- TERMINAL IN JUNCTION BOX
- INDICATING LIGHT, R = RED, A = AMBER
- CONTACTOR COIL
- TRANSIENT VOLTAGE SUPPRESSOR

1-0630M-E0027	MCC ELEVATION, MCC-M3E
1-0630M-E0025	SINGLE LINE DIAGRAM, MCC-M3E
DRAWING NUMBER	REFERENCE DRAWINGS



00	ISSUED FOR TENDER, BID OPP: 490-2012	2012/07/23	BJC	CJR
NO.	REVISIONS	DATE	DESIGN	CHECK

SNC-LAVALIN INC.
 148 Nature Park Way
 Winnipeg, MB, Canada R3P 0X7
 204-786-8080

DESIGNED BY: B. CLEVEN
 DRAWN BY: M.J. PERSSON
 SCALE: NTS
 DATE: 2012/05/03

CHECKED BY: C. REIMER
 APPROVED BY: C. REIMER
 RELEASED FOR CONSTRUCTION BY:
 DATE:

CONSULTANT NO.: 508955-0000-47DD-0056

ENGINEER'S SEAL

PRELIMINARY
 NOT TO BE
 USED FOR
 CONSTRUCTION

THE CITY OF WINNIPEG
 WATER AND WASTE DEPARTMENT

MACLEAN WATER PUMPING STATION

MOTOR STARTER SCHEMATIC
 EF-M690
 CL2 STORAGE ROOM EXHAUST FAN

CITY DRAWING NUMBER: 1-0630M-E0056
 SHEET REV. SIZE: 001 00 A1