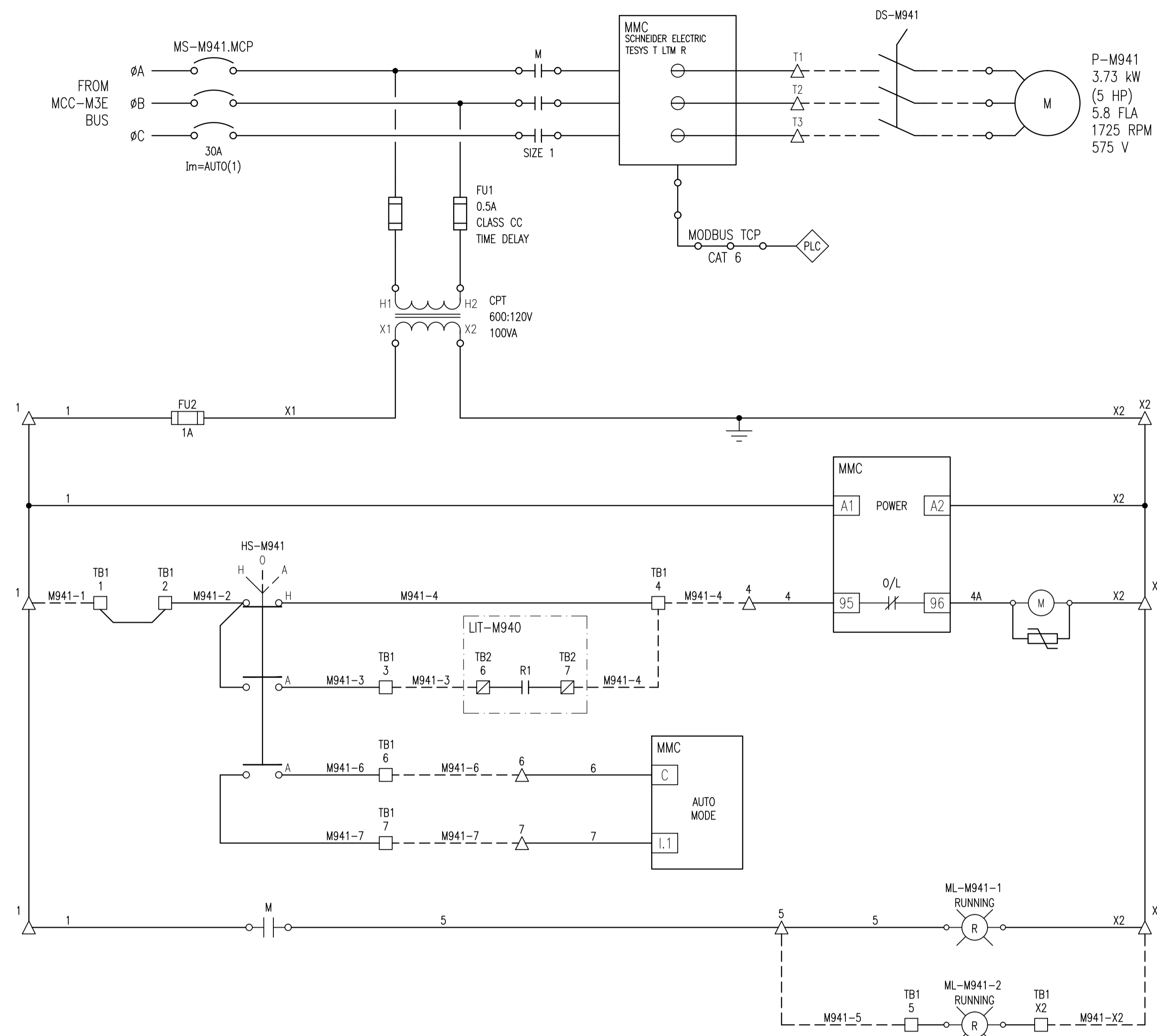
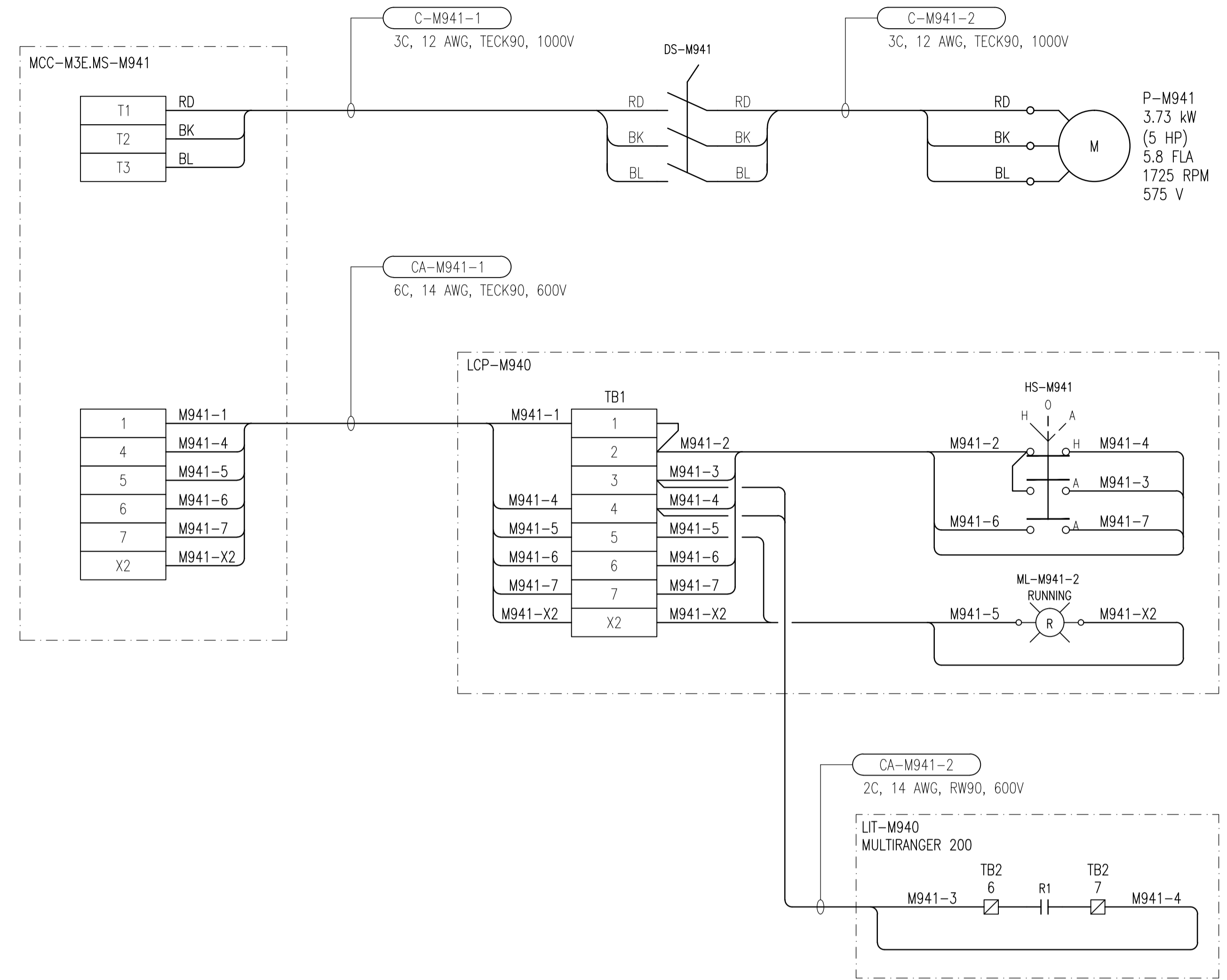


ELEMENTARY DIAGRAM:



FIELD CONNECTION DIAGRAM:



**LEGEND:**

- △ TERMINAL IN MOTOR STARTER COMPARTMENT
- TERMINAL IN LCP-M940
- ▣ TERMINAL IN LIT-M940
- ⊙(R) INDICATING LIGHT, R = RED, A = AMBER
- ⎓ TRANSIENT VOLTAGE SUPPRESSOR

LAST SAVE: 2012/07/27 - 7:55am  
 PATH: M:\508955\ENGL\47ELE\DD - General DWG\1-0630M-E0058-001-00.dwg

1-0630M-E0025	SINGLE LINE DIAGRAM, MCC-M3E
1-0630M-E0027	MCC ELEVATION
DRAWING NUMBER	REFERENCE DRAWINGS



 SNC-Lavalin Inc. 148 Nature Park Way Winnipeg, MB, Canada R3P 0X7 204-786-8080		ENGINEER'S SEAL PRELIMINARY NOT TO BE USED FOR CONSTRUCTION	 THE CITY OF WINNIPEG WATER AND WASTE DEPARTMENT MACLEAN WATER PUMPING STATION MOTOR STARTER SCHEMATIC P-M941 SUMP PUMP
DESIGNED BY: B. CLEVEN DRAWN BY: B. CLEVEN SCALE: NTS DATE: 2012/01/31	CHECKED BY: C. REIMER APPROVED BY: C. REIMER RELEASED FOR CONSTRUCTION BY: DATE:	CITY DRAWING NUMBER: 1-0630M-E0058 SHEET: 001 REV: 00 SIZE: A1	
CONSULTANT NO.: 508955-0000-47DD-0058		1-0630M-E0058-001-00.dwg	