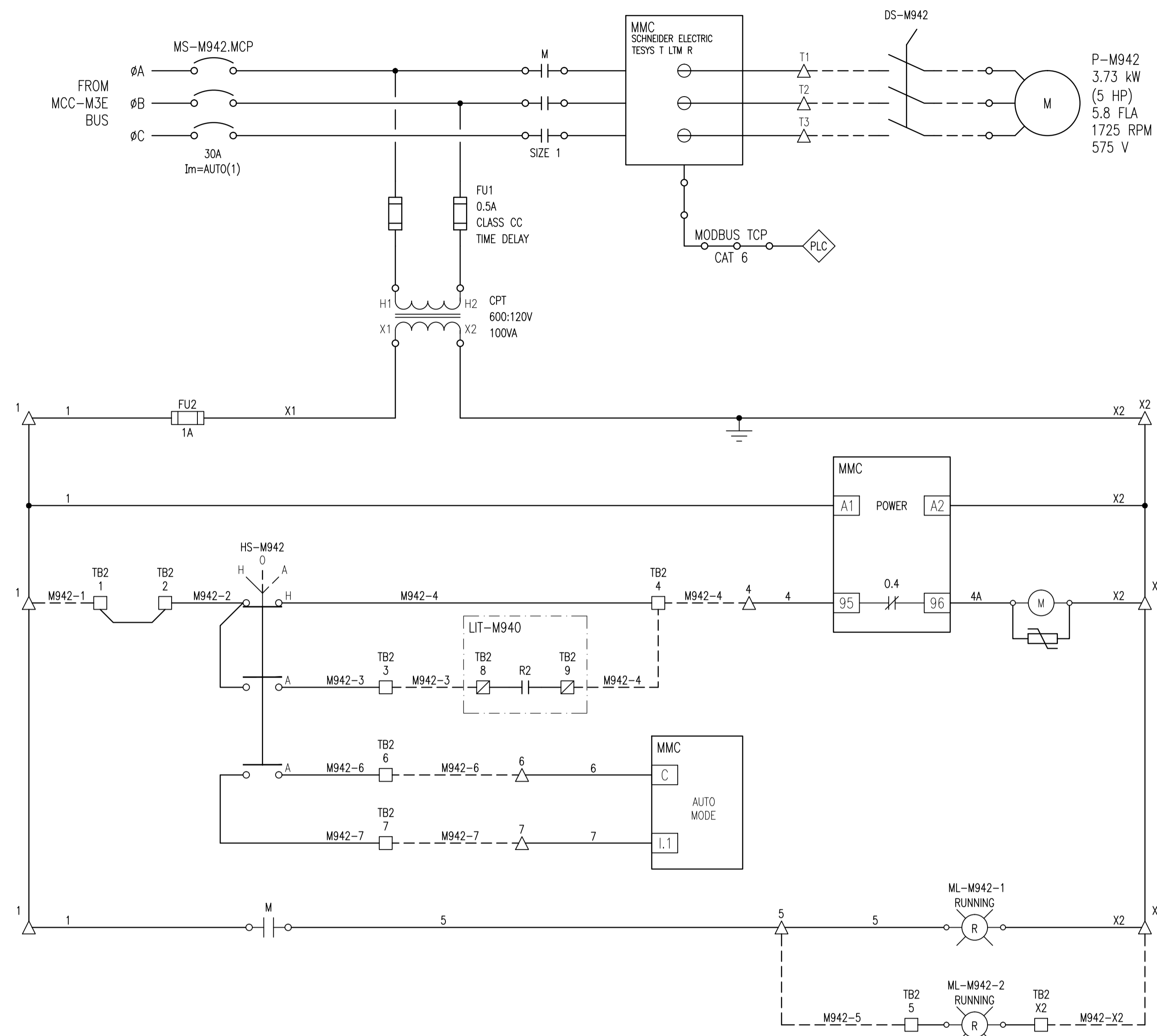
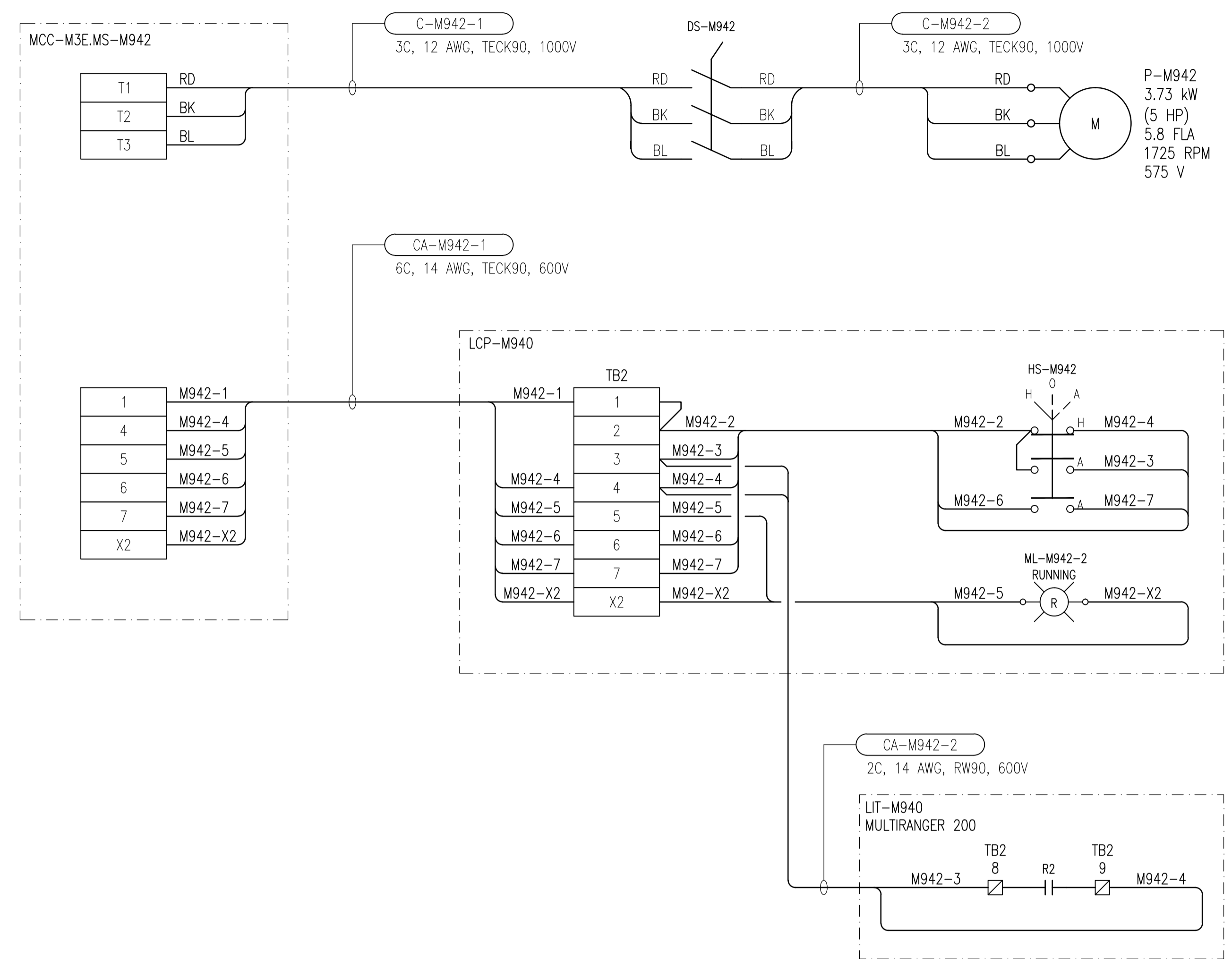


ELEMENTARY DIAGRAM:



FIELD CONNECTION DIAGRAM:



LEGEND:

- △ TERMINAL IN MOTOR STARTER COMPARTMENT
- TERMINAL IN LCP-M940
- ▣ TERMINAL IN LIT-M940
- ⊙ R INDICATING LIGHT, R = RED, A = AMBER
- ⎓ TRANSIENT VOLTAGE SUPPRESSOR

LAST SAVE: 2012/07/27 - 7:56am
 PATH: M:\508955\ENGL\47\ELE\DD - General DWG\1-0630M-E0059-001-00.dwg

1-0630M-E0025	SINGLE LINE DIAGRAM, MCC-M3E
1-0630M-E0027	MCC ELEVATION
DRAWING NUMBER	REFERENCE DRAWINGS



00	ISSUED FOR TENDER, BID OPP: 490-2012	2012/07/23	BJC	CJR
NO.	REVISIONS	DATE	DESIGN	CHECK

SNC-LAVALIN INC.
 148 Nature Park Way
 Winnipeg, MB, Canada R3P 0X7
 204-786-8080

DESIGNED BY: B. CLEVEN
 CHECKED BY: C. REIMER
 DRAWN BY: M.J. PERSSON
 APPROVED BY: C. REIMER
 SCALE: NTS
 RELEASED FOR CONSTRUCTION BY: [Signature]
 DATE: 2012/05/02

CONSULTANT NO.: 508955-0000-47DD-0059

ENGINEER'S SEAL
PRELIMINARY
 NOT TO BE USED FOR CONSTRUCTION

THE CITY OF WINNIPEG
 WATER AND WASTE DEPARTMENT

MACLEAN WATER PUMPING STATION

MOTOR STARTER SCHEMATIC
 P-M942
 SUMP PUMP

CITY DRAWING NUMBER: 1-0630M-E0059
 SHEET: 001
 REV: 00
 SIZE: A1