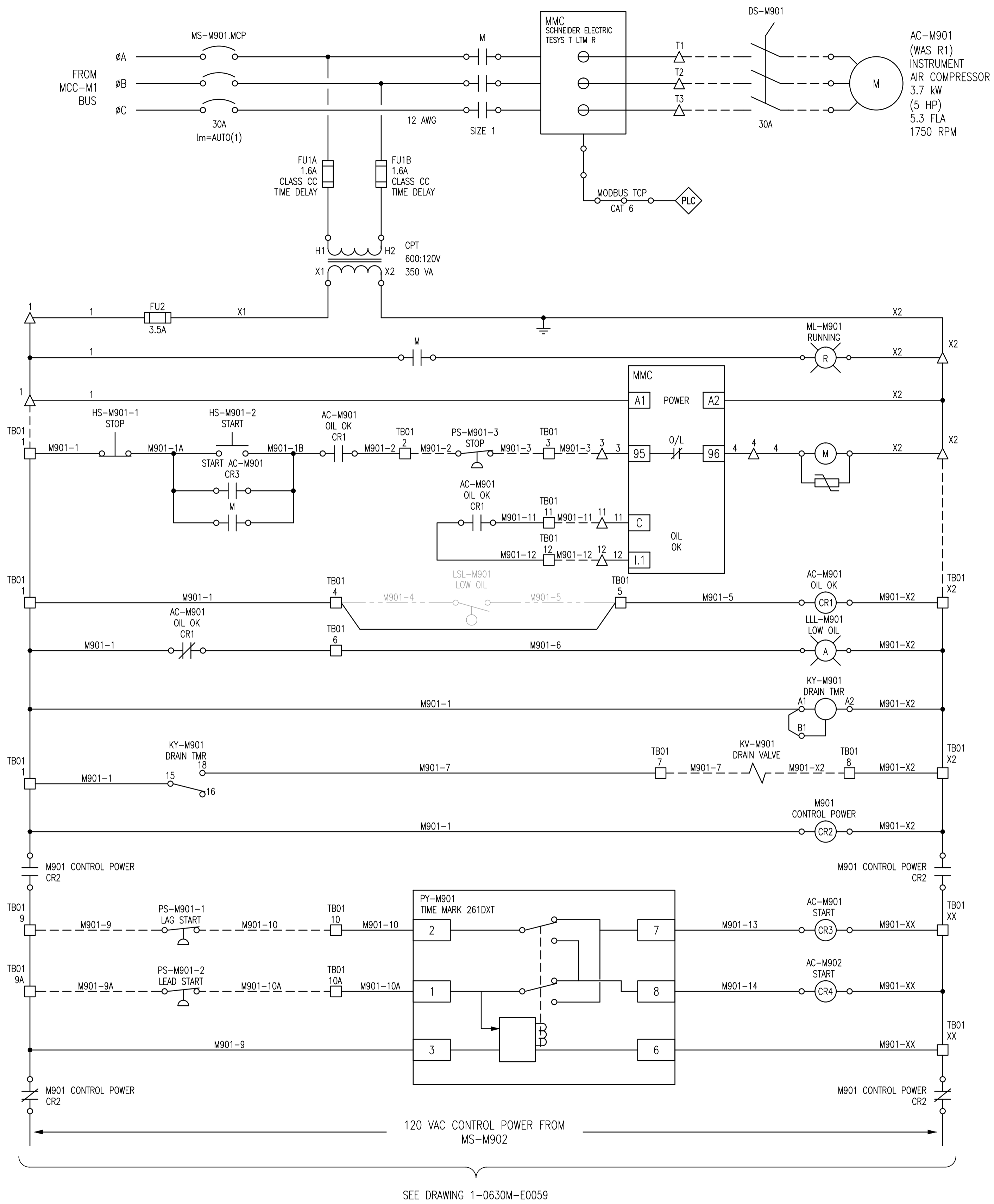
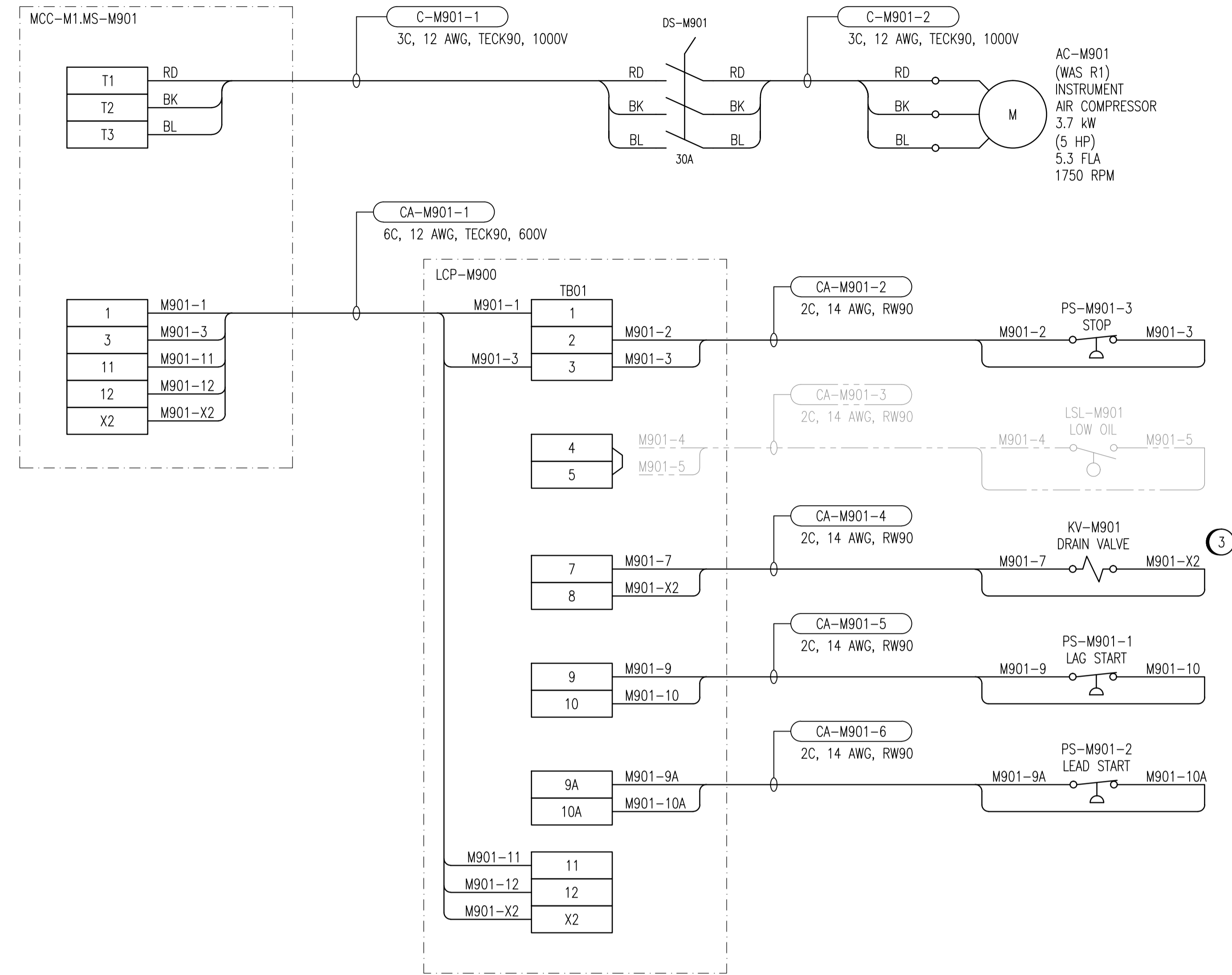


ELEMENTARY DIAGRAM:



FIELD CONNECTION DIAGRAM:



CONSTRUCTION NOTES:

- ① REPLACE/INSTALL PRESSURE SWITCHES AS REQUIRED.
- ② SET PRESSURE SWITCHES ACCORDING TO EXISTING CONTROLS. DOCUMENT SETTINGS.
- ③ REPLACE THE EXISTING DRAIN VALVE WITH A NEW SOLENOID VALVE.

LEGEND:

- △ TERMINAL IN MOTOR STARTER COMPARTMENT
- TERMINAL IN LCP-M900
- ⊙ INDICATING LIGHT, R = RED, A = AMBER
- ⊙ CONTACTOR COIL
- ⊞ TRANSIENT VOLTAGE SUPPRESSOR
- FUTURE

1-0630M-E0067	PANEL LAYOUT, LCP-M900
1-0630M-E0026	MCC ELEVATION, MCC-M1
1-0630M-E0023	SINGLE LINE DIAGRAM, MCC-M1
DRAWING NUMBER	REFERENCE DRAWINGS



00	ISSUED FOR TENDER, BID OPP: 490-2012	2012/07/23	BJC	CJR
NO.	REVISIONS	DATE	DESIGN	CHECK

 SNC-LAVALIN INC. 148 Nature Park Way Winnipeg, MB, Canada R3P 0X7 204-786-8080	
DESIGNED BY: B. CLEVEN	CHECKED BY: C. REIMER
DRAWN BY: M.J. PERSSON	APPROVED BY: C. REIMER
SCALE: NTS	RELEASED FOR CONSTRUCTION BY: DATE: 2012/03/22
CONSULTANT NO.: 508955-0000-47DD-0060	

ENGINEER'S SEAL

PRELIMINARY
NOT TO BE
USED FOR
CONSTRUCTION

 THE CITY OF WINNIPEG WATER AND WASTE DEPARTMENT	
MACLEAN WATER PUMPING STATION	
MOTOR STARTER SCHEMATIC AC-M901 INSTRUMENT AIR COMPRESSOR	
CITY DRAWING NUMBER 1-0630M-E0060	SHEET REV. SIZE 001 00 A1