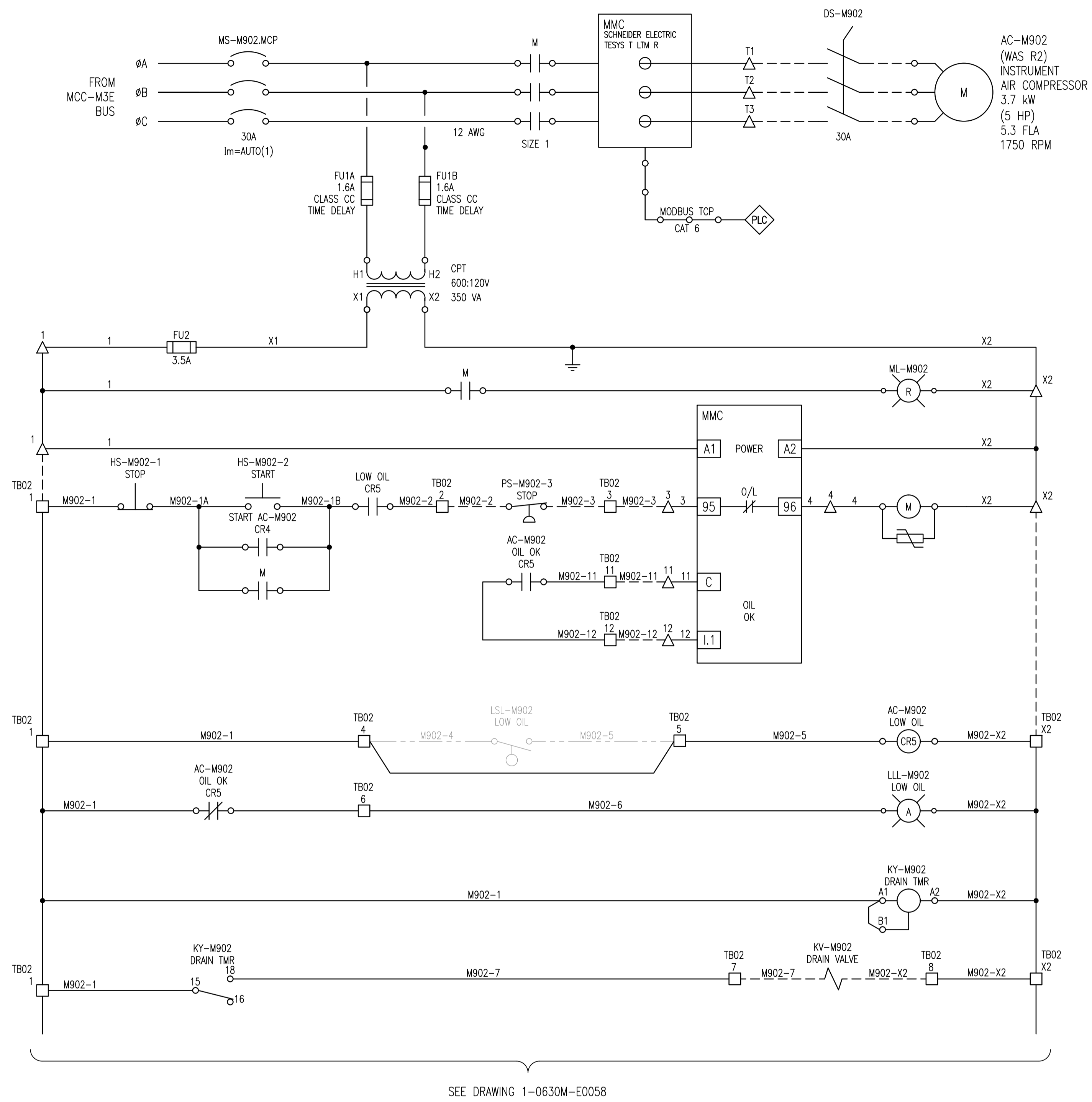
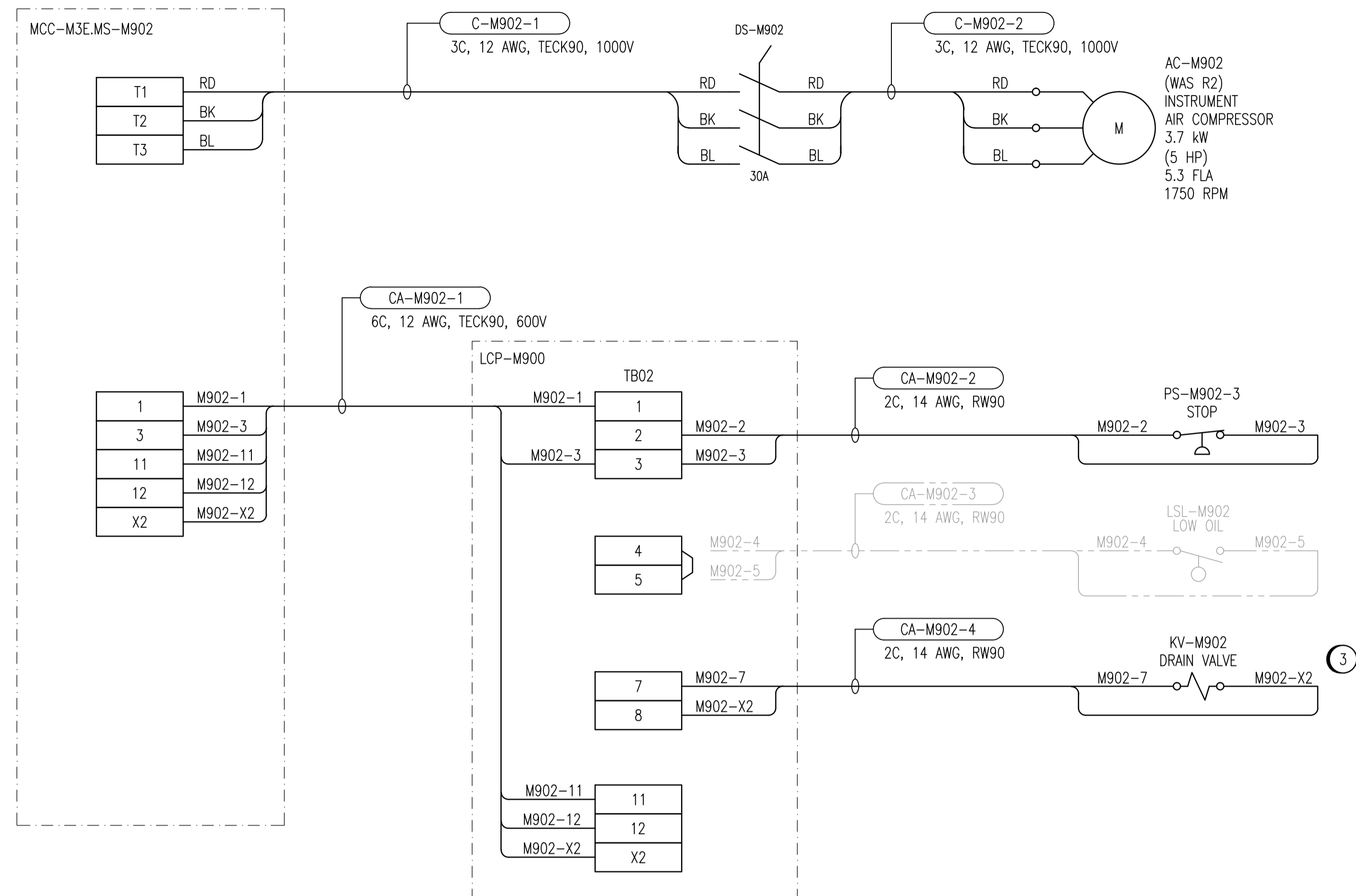


ELEMENTARY DIAGRAM:



SEE DRAWING 1-0630M-E0058

FIELD CONNECTION DIAGRAM:



CONSTRUCTION NOTES:

- ① REPLACE/INSTALL PRESSURE SWITCHES AS REQUIRED.
- ② SET PRESSURE SWITCHES ACCORDING TO EXISTING CONTROLS. DOCUMENT SETTINGS.
- ③ REPLACE THE EXISTING DRAIN VALVE WITH A NEW SOLENOID VALVE.

LEGEND:

- △ TERMINAL IN MOTOR STARTER COMPARTMENT
- TERMINAL IN LCP-M900
- R ○ INDICATING LIGHT, R = RED, A = AMBER
- M ○ CONTACTOR COIL
- ⎓ TRANSIENT VOLTAGE SUPPRESSOR
- FUTURE

1-0630M-E0067	PANEL LAYOUT, LCP-M900
1-0630M-E0027	MCC ELEVATION, MCC-M3E
1-0630M-E0025	SINGLE LINE DIAGRAM, MCC-M3E
DRAWING NUMBER	REFERENCE DRAWINGS



DESIGNED BY:	B. CLEVEN	CHECKED BY:	C. REIMER
DRAWN BY:	M.J. PERSSON	APPROVED BY:	C. REIMER
SCALE:	NTS	RELEASED FOR CONSTRUCTION BY:	
DATE:	2012/03/22	DATE:	
ISSUED FOR TENDER, BID OPP: 490-2012	2012/07/23	DESIGN	BJC
REVISIONS	DATE	CHECK	CJR

SNC-LAVALIN INC.
 148 Nature Park Way
 Winnipeg, MB, Canada R3P 0X7
 204-786-8080

CONSULTANT NO.: 508955-0000-47DD-0061

ENGINEER'S SEAL

PRELIMINARY
 NOT TO BE
 USED FOR
 CONSTRUCTION

THE CITY OF WINNIPEG
 WATER AND WASTE DEPARTMENT

MACLEAN WATER PUMPING STATION

MOTOR STARTER SCHEMATIC
 AC-M902
 INSTRUMENT AIR COMPRESSOR

CITY DRAWING NUMBER: 1-0630M-E0061

SHEET: 001

REV: 00

SIZE: A1