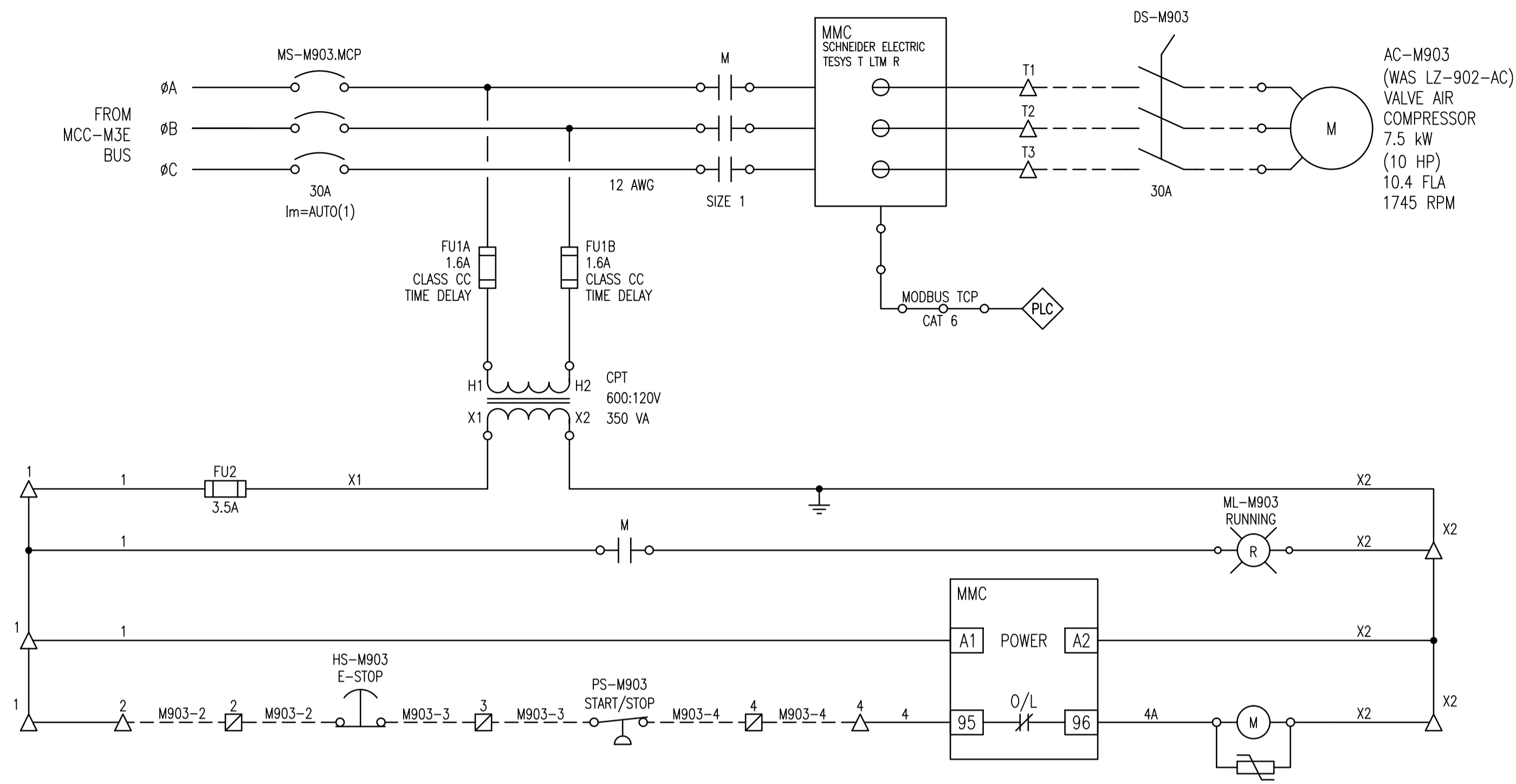
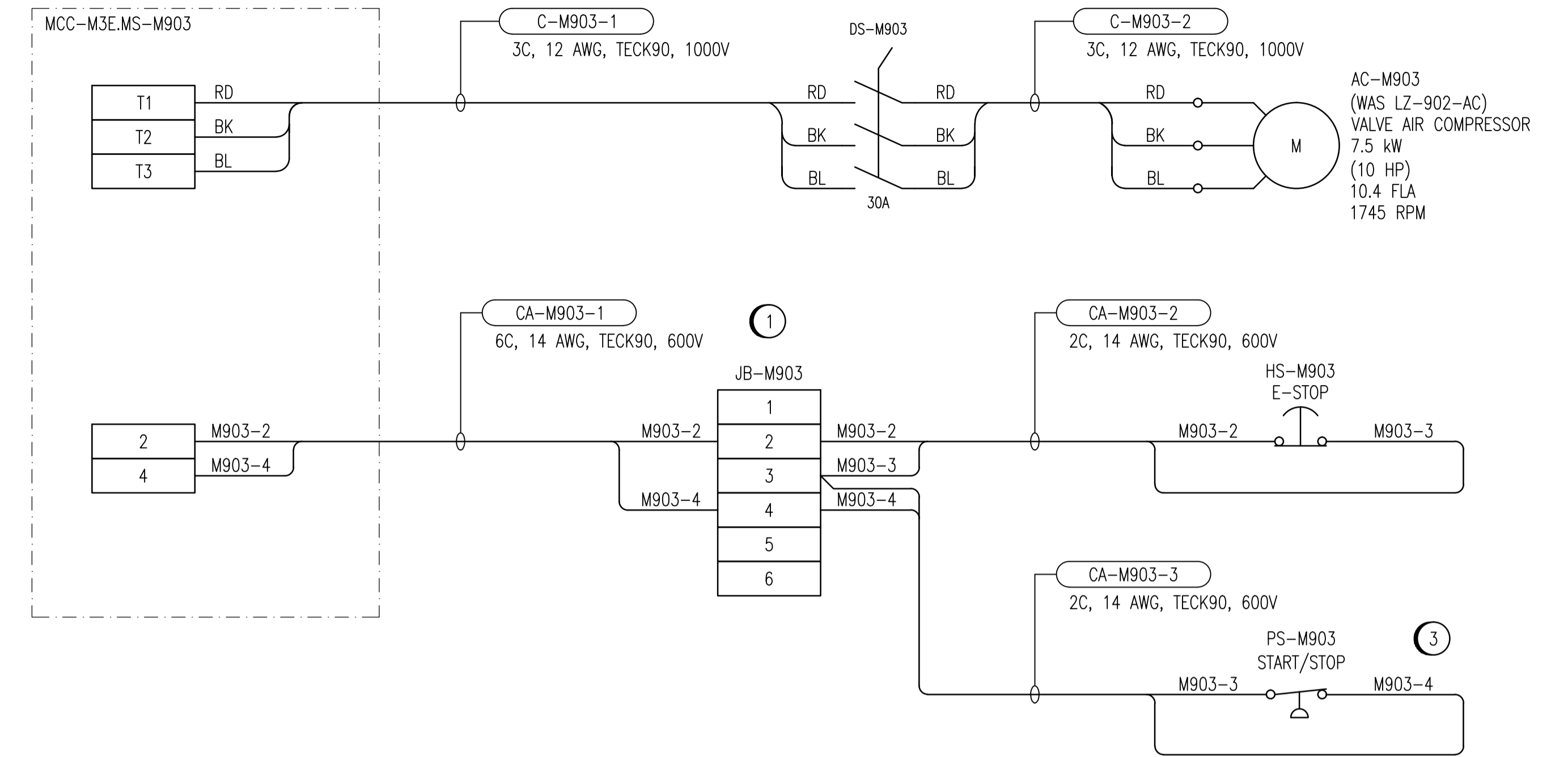


ELEMENTARY DIAGRAM:



FIELD CONNECTION DIAGRAM:



CONSTRUCTION NOTES:

- ① INSTALL NEW JUNCTION BOX JB-M903.
- ② REPLACE EXISTING LOCK-OFF-STOP SWITCH WITH A MAINTAINED E-STOP SWITCH.
- ③ REUTILIZE EXISTING PRESSURE SWITCH.

LEGEND:

- △ TERMINAL IN MOTOR STARTER COMPARTMENT
- ☒ TERMINAL IN JB-M903
- ⊙(R) INDICATING LIGHT, R = RED, A = AMBER
- ⊙(M) CONTACTOR COIL
- ⊎ TRANSIENT VOLTAGE SUPPRESSOR

1-0630M-E0027	MCC ELEVATION, MCC-M3E
1-0630M-E0025	SINGLE LINE DIAGRAM, MCC-M3E
DRAWING NUMBER	REFERENCE DRAWINGS



NO.	REVISIONS	DATE	DESIGN	CHECK
00	ISSUED FOR TENDER, BID OPP: 490-2012	2012/07/23	BJC	CJR

**SNC-LAVALIN INC.**  
 148 Nature Park Way  
 Winnipeg, MB, Canada R3P 0X7  
 204-786-8080

DESIGNED BY: B. CLEVEN  
 CHECKED BY: C. REIMER  
 DRAWN BY: M.J. PERSSON  
 APPROVED BY: C. REIMER  
 SCALE: NTS  
 RELEASED FOR CONSTRUCTION BY:  
 DATE: 2012/05/03  
 DATE:

CONSULTANT NO.: 508955-0000-47DD-0062

ENGINEER'S SEAL

**PRELIMINARY**  
 NOT TO BE  
 USED FOR  
 CONSTRUCTION

**THE CITY OF WINNIPEG**  
 WATER AND WASTE DEPARTMENT

MACLEAN WATER PUMPING STATION

MOTOR STARTER SCHEMATIC  
 AC-M903  
 VALVE AIR COMPRESSOR

CITY DRAWING NUMBER: 1-0630M-E0062  
 SHEET: 001  
 REV: 00  
 SIZE: A1