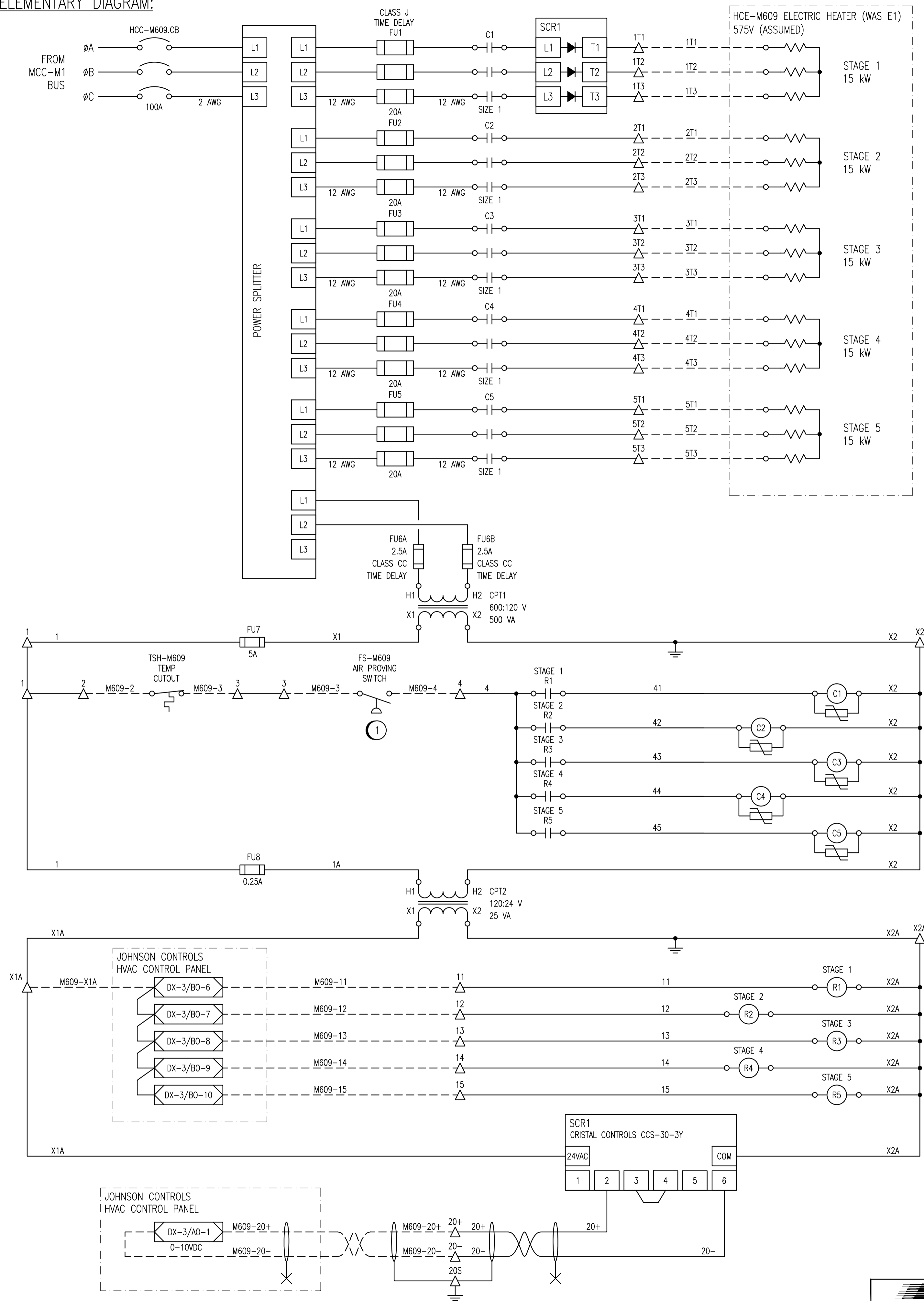
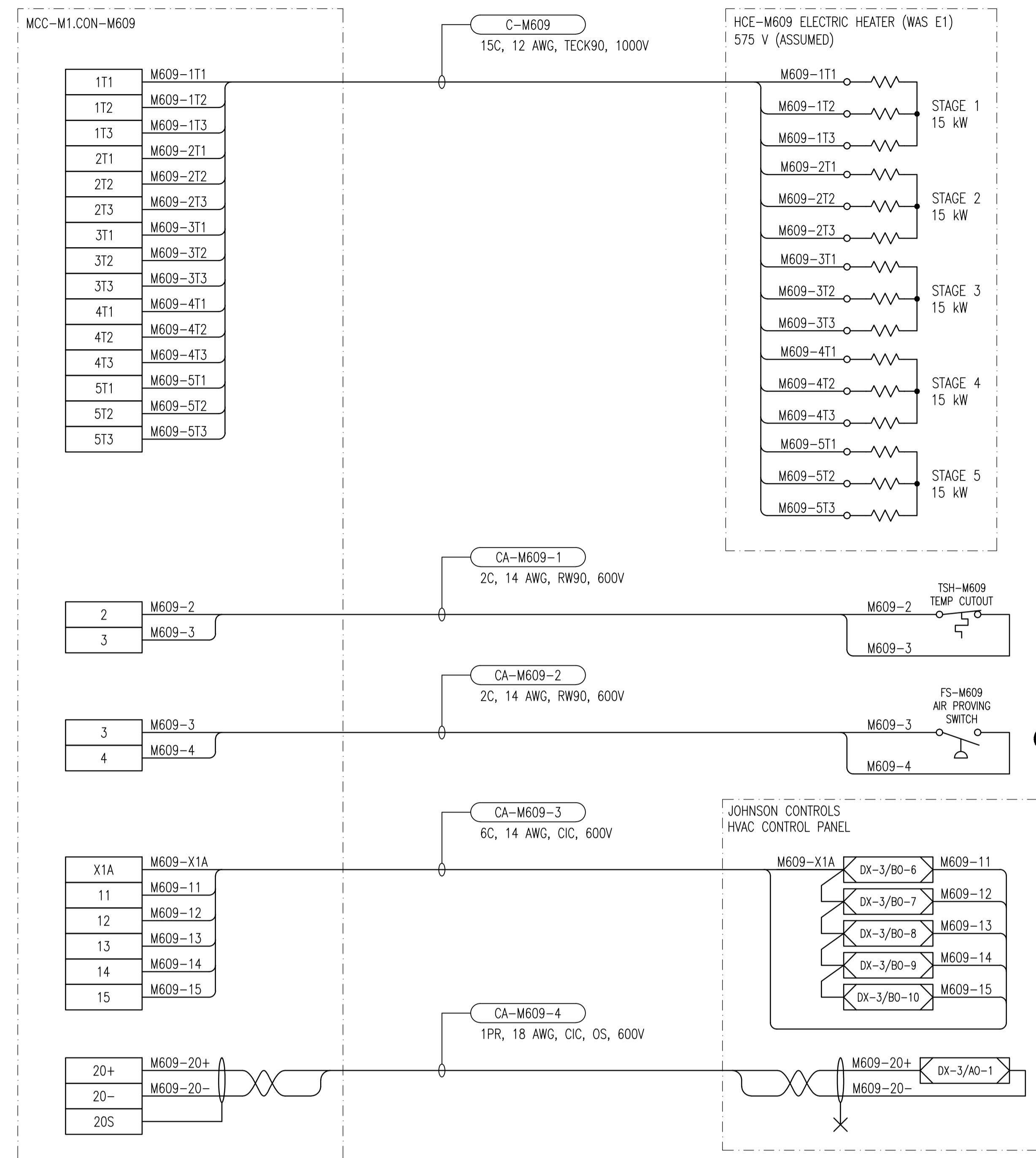


A1 SIZE - 594mm x 841mm  
 LAST SAVE: 2012/07/27 - 7:59am  
 PATH: M:\508955\ENGL\47ELE.DWG - General DWG\1-0630M-E0063-001-00.dwg

**ELEMENTARY DIAGRAM:**



**CONNECTION DIAGRAM:**



**CONSTRUCTION NOTES:**

- 1 SUPPLY AND INSTALL NEW AIR PROVING SWITCH.

**LEGEND:**

- △ TERMINAL IN CONTACTOR PANEL
- TERMINAL IN PNEUMATIC STEP CONTROLLER
- ▭ TRANSIENT VOLTAGE SUPPRESSOR
- ◁ HVAC CONTROLLER OUTPUT



		<b>SNC-LAVALIN INC.</b> 148 Nature Park Way Winnipeg, MB, Canada R3P 0X7 204-786-8080		ENGINEER'S SEAL  <b>PRELIMINARY</b> NOT TO BE USED FOR CONSTRUCTION	<b>THE CITY OF WINNIPEG</b> WATER AND WASTE DEPARTMENT  MACLEAN WATER PUMPING STATION  CONTACTOR SCHEMATIC HCE-M609 PREHEAT DUCT HEATER
DESIGNED BY:	B. CLEVEN	CHECKED BY:	C. REIMER	CITY DRAWING NUMBER <b>1-0630M-E0063</b>	SHEET <b>001</b>
DRAWN BY:	M.J. PERSSON	APPROVED BY:	C. REIMER		
SCALE:	NTS	RELEASED FOR CONSTRUCTION BY:		SIZE	A1
DATE:	2012/01/03	DATE:		1-0630M-E0063-001-00.dwg	
ISSUED FOR TENDER, BID OPP: 490-2012	2012/07/23	DESIGN	BJC	DATE	CJR
NO. REVISIONS		DATE		CONSULTANT NO.:	508955-0000-47DD-0061