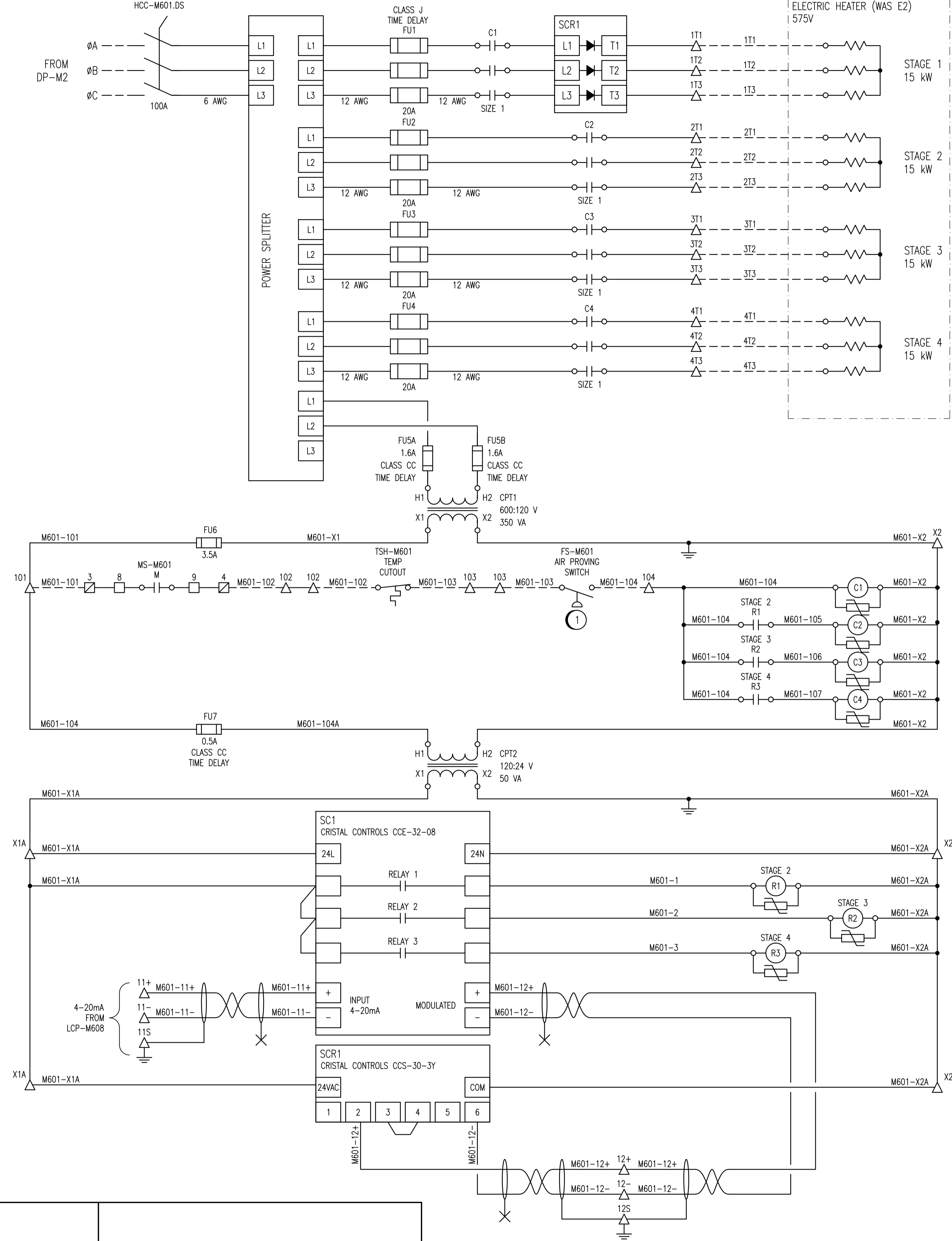
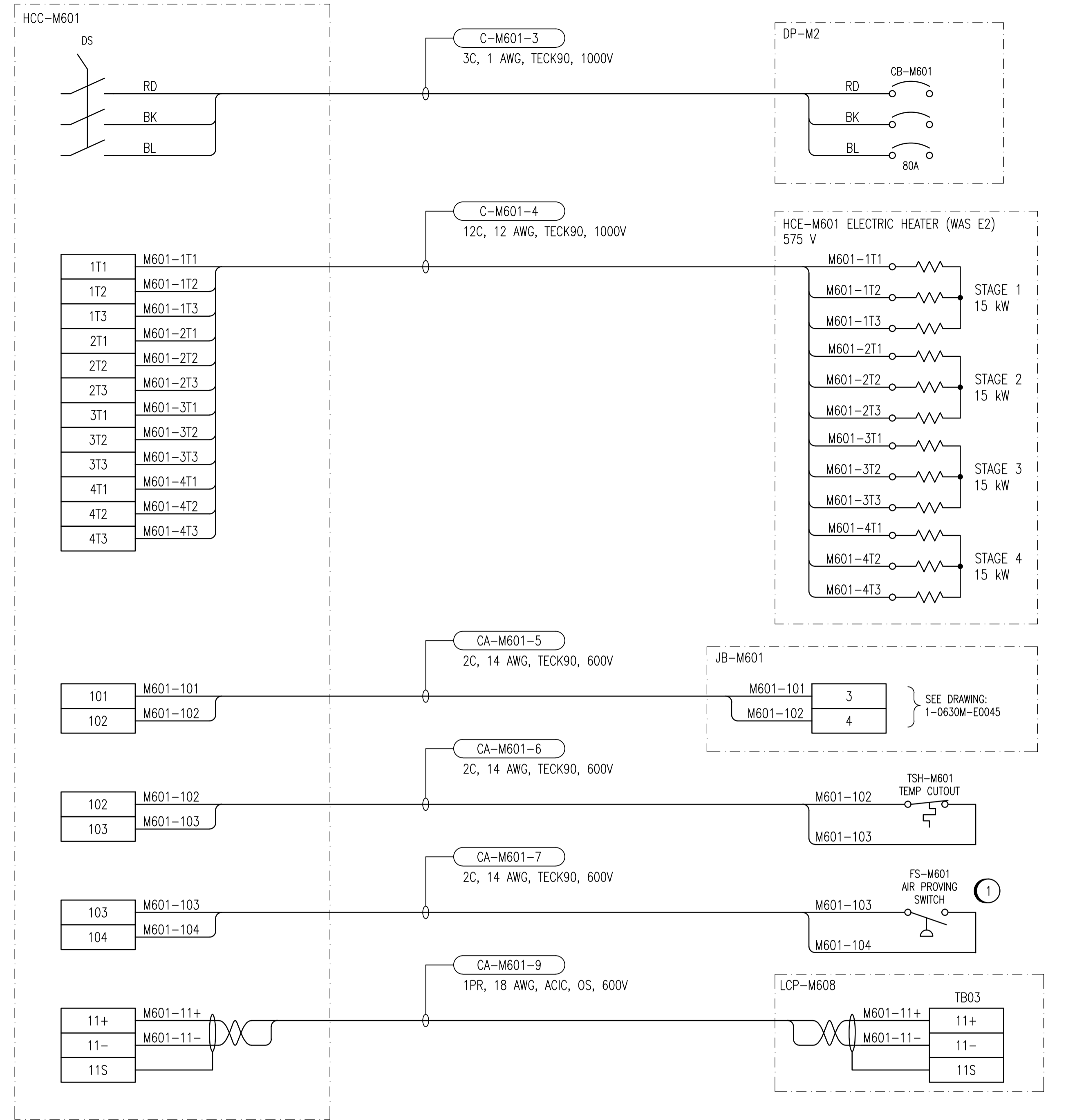


A1 SIZE - 594mm x 841mm

ELEMENTARY DIAGRAM:



CONNECTION DIAGRAM:



CONSTRUCTION NOTES:  
 1 SUPPLY AND INSTALL NEW AIR PROVING SWITCH.

LEGEND:

- △ TERMINAL IN CONTACTOR PANEL
- TERMINAL IN AHU-M601 STARTER
- ⊠ TERMINAL IN JB-M601
- ⊞ TRANSIENT VOLTAGE SUPPRESSOR

LAST SAVE: 2012/07/27 - 7:59am  
PATH: M:\508955\ENGL\47ELE\DD - General DWG\1-0630M-E0064-001-00.dwg

1-0630M-A0035	AHU-M601 DISCHARGE AIR TEMP. LOOP DIAGRAM
DRAWING NUMBER	REFERENCE DRAWINGS



 SNC-Lavalin Inc. 148 Nature Park Way Winnipeg, MB, Canada R3P 0X7 204-786-8080		ENGINEER'S SEAL  PRELIMINARY NOT TO BE USED FOR CONSTRUCTION
DESIGNED BY: B. CLEVEN	CHECKED BY: C. REIMER	THE CITY OF WINNIPEG WATER AND WASTE DEPARTMENT  MACLEAN WATER PUMPING STATION  CONTACTOR SCHEMATIC HCC-M601 ELECTRIC HEATING COIL FOR AHU-M601
DRAWN BY: M.J. PERSSON	APPROVED BY: C. REIMER	
SCALE: NTS	RELEASED FOR CONSTRUCTION BY: DATE: 2012/05/14	CITY DRAWING NUMBER 1-0630M-E0064
NO. 00 REVISIONS	DATE 2012/07/23 DESIGN BJC CHECK CJR	SHEET 001 REV. 00 SIZE A1
CONSULTANT NO.: 508955-0000-47DD-0064		1-0630M-E0064-001-00.dwg