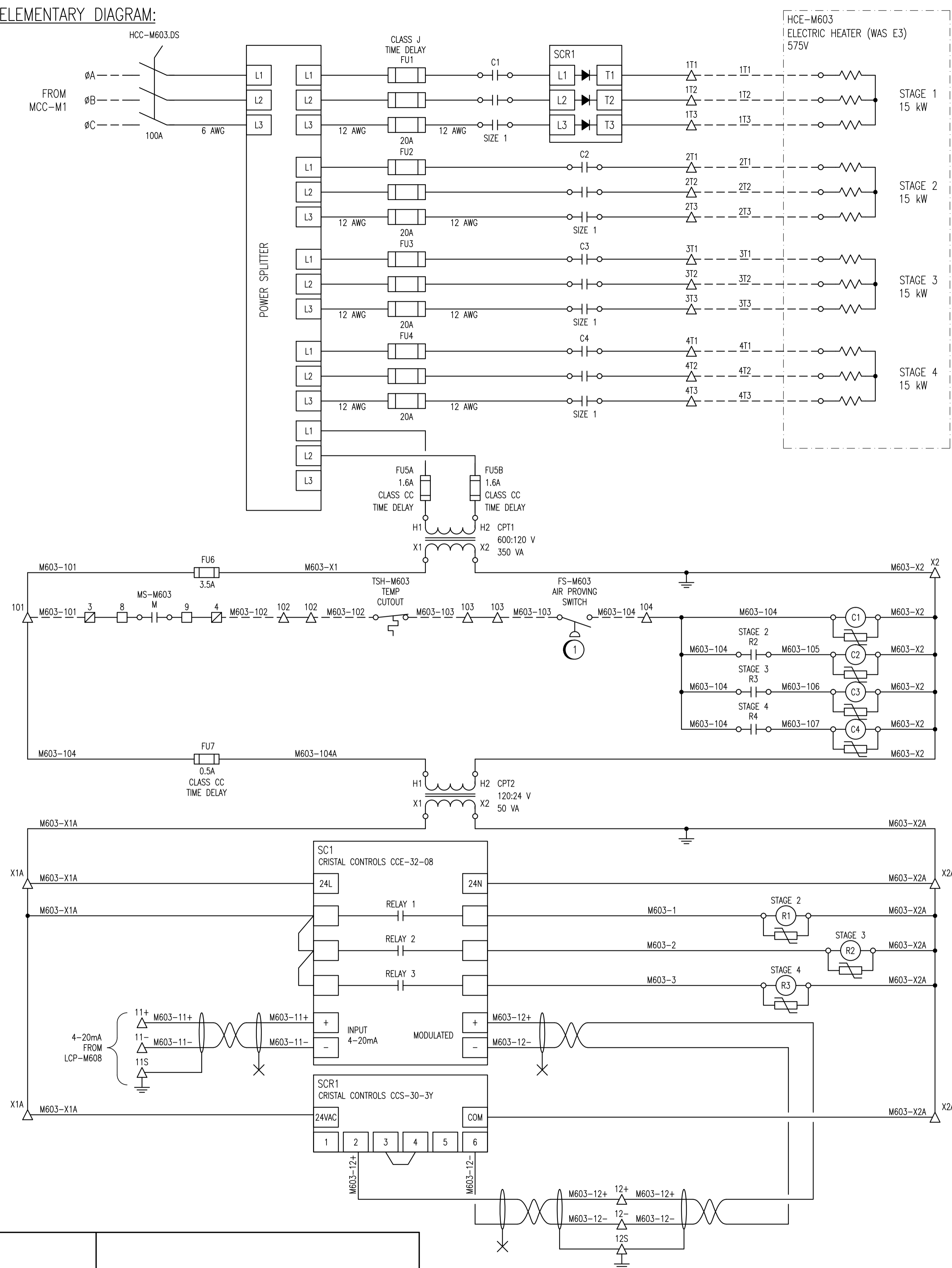
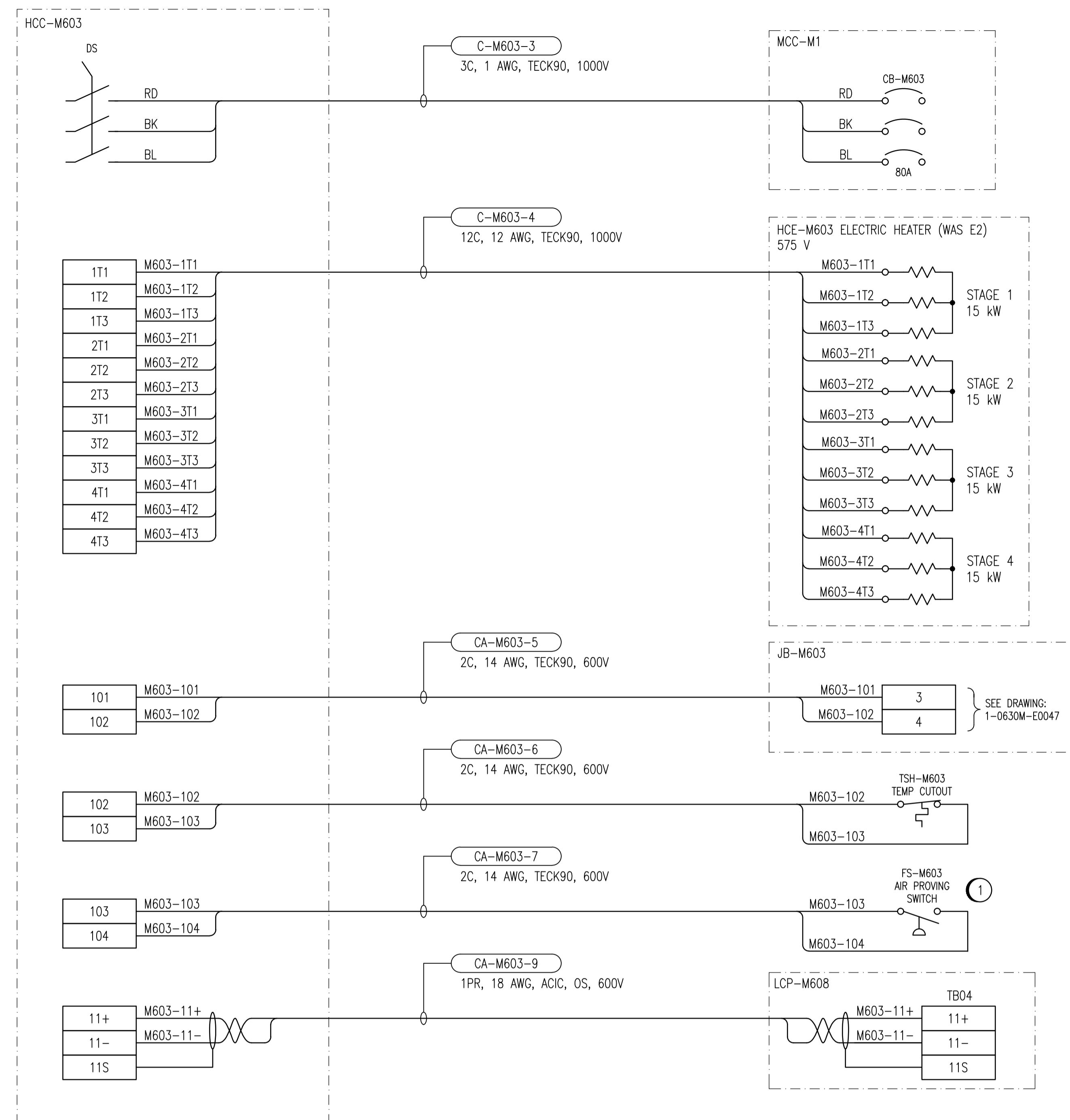


A1 SIZE - 594mm x 841mm
 LAST SAVE: 2012/07/27 - 8:00am
 PATH: M:\508955\ENGL\47ELE\DD - General DWG\1-0630M-E0065-001-00.dwg

ELEMENTARY DIAGRAM:



CONNECTION DIAGRAM:



CONSTRUCTION NOTES:

- ① SUPPLY AND INSTALL NEW AIR PROVING SWITCH.

LEGEND:

- △ TERMINAL IN CONTACTOR PANEL
- TERMINAL IN AHU-M603 STARTER
- ⊠ TERMINAL IN JB-M603
- ⊞ TRANSIENT VOLTAGE SUPPRESSOR

1-0630M-A0036 AHU-M603 DISCHARGE AIR TEMP. LOOP DIAGRAM
DRAWING NUMBER REFERENCE DRAWINGS



NO.	REVISIONS	DATE	DESIGN	CHECK
00	ISSUED FOR TENDER, BID OPP. 490-2012	2012/07/23	BJC	CJR

 SNC-LAVALIN INC. 148 Nature Park Way Winnipeg, MB, Canada R3P 0X7 204-786-8080	
DESIGNED BY: B. CLEVEN	CHECKED BY: C. REIMER
DRAWN BY: M.J. PERSSON	APPROVED BY: C. REIMER
SCALE: NTS	RELEASED FOR CONSTRUCTION BY: DATE: 2012/05/14
CONSULTANT NO.: 508955-0000-47DD-0065	

ENGINEER'S SEAL
PRELIMINARY
NOT TO BE USED FOR CONSTRUCTION

THE CITY OF WINNIPEG
 WATER AND WASTE DEPARTMENT
 MACLEAN WATER PUMPING STATION
 CONTACTOR SCHEMATIC
 HCC-M603
 ELECTRIC HEATING COIL FOR AHU-M603
 CITY DRAWING NUMBER: 1-0630M-E0065
 SHEET: 001
 REV.: 00
 SIZE: A1