

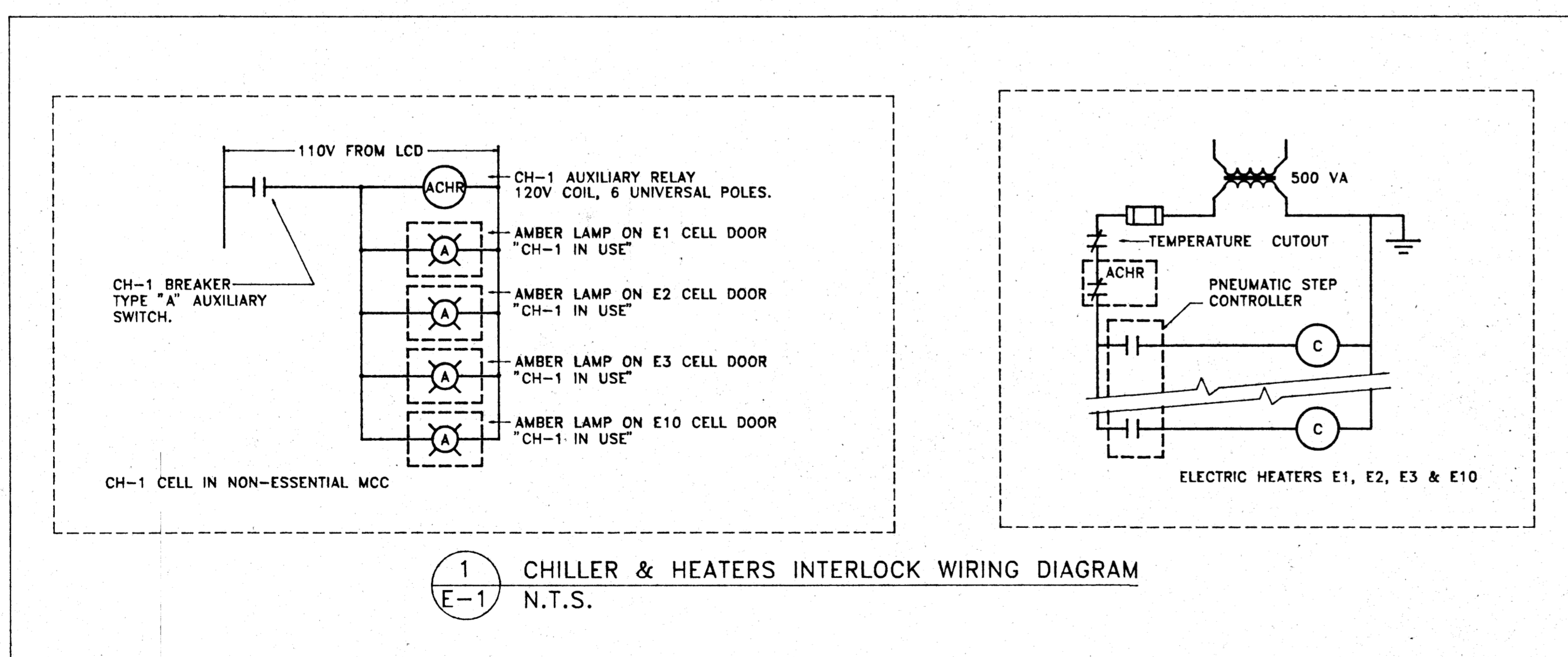
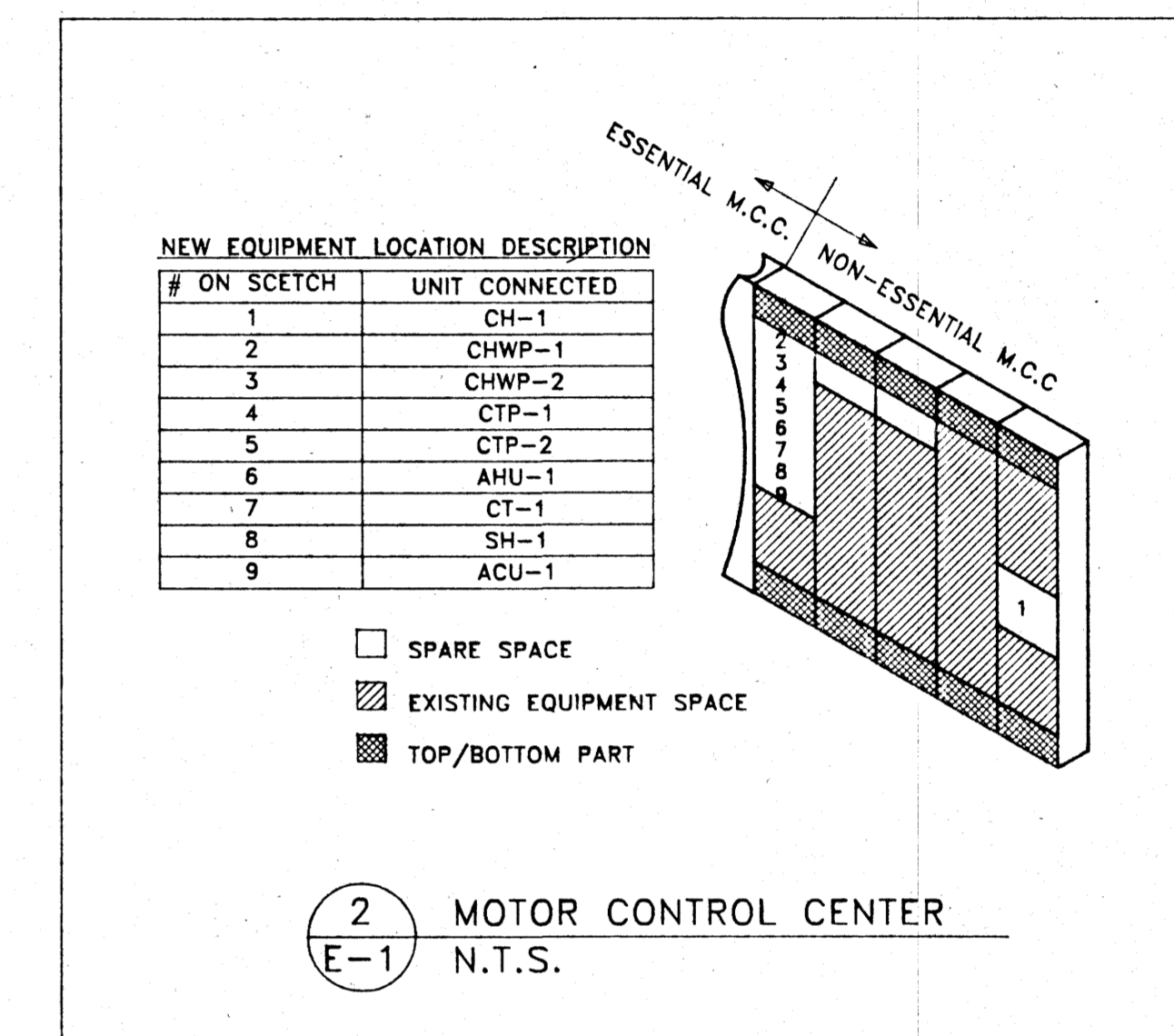
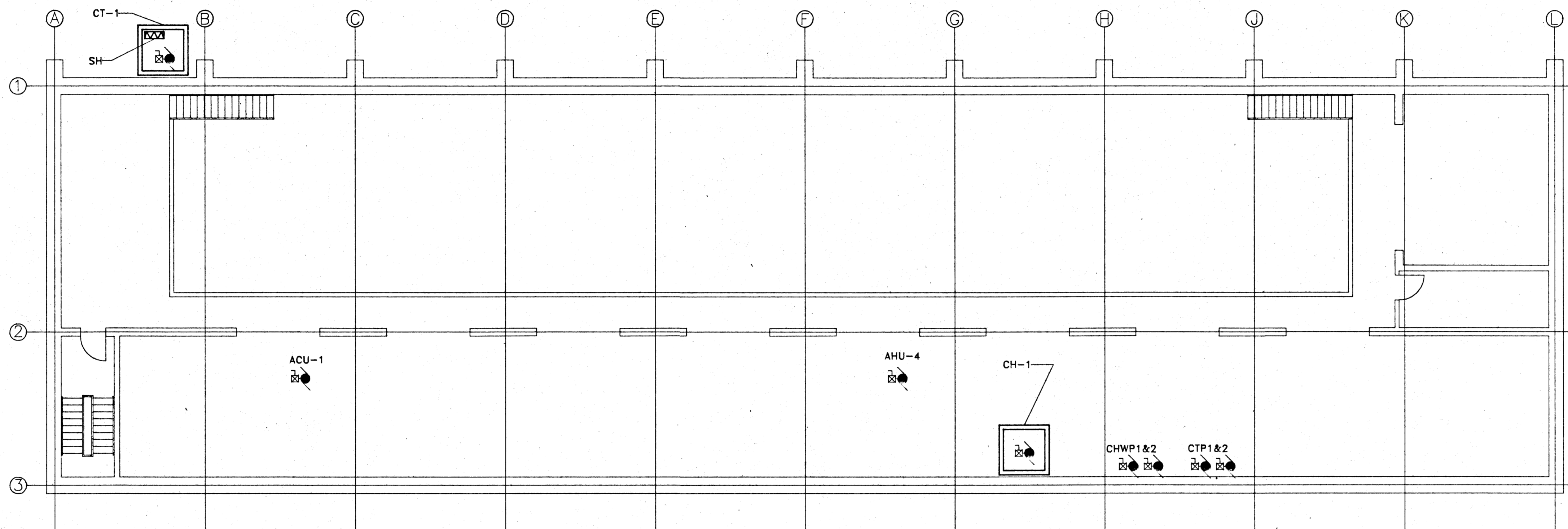
REF. or DRAWING No. **ME-251**  
DETAILS FILE # **WP10620**

EQUIPMENT SCHEDULE								
No	DESCRIPTION	LOCATION	VOLT/PH	HP/KW	BREAKER	COND'R	STARTER	REMARKS
CH-1	CHILLER	LOWER LEVEL	600-3PH	163A	200-3P	3/0	MAG	NOTE 3,4
CHWP-1	CHILLED WATER PUMP	LOWER LEVEL	600-3PH	15HP	30A-3P	#10	MAG	NOTE 1,2,3
CHWP-2	CHILLED WATER PUMP	LOWER LEVEL	600-3PH	15HP	30A-3P	#10	MAG	NOTE 1,2,3
CTP-1	CLG TOWER PUMP	LOWER LEVEL	600-3PH	15HP	30A-3P	#10	MAG	NOTE 1,2,3
CTP-2	CLG TOWER PUMP	LOWER LEVEL	600-3PH	15HP	30A-3P	#10	MAG	NOTE 1,2,3
CT-1	COOLING TOWER	GROUND	600-3PH	2x3HP	15A-3P	#12	MAG	NOTE 1,2,3
SH-1	SUMP HEATER	CT-1	600-3PH	4KW	15A-3P	#12	MAG	NOTE 1,2,3
AHU-4	AIRHANDLING UNIT	MEZZANINE	600-3PH	10HP	20A-3P	#12	MAG	NOTE 1,2,3
ACU-1	AIR CONDITIONING UNIT	CONTROL ROOM	600-3PH	1.5HP	15A-3P	#12	MAG	NOTE 1,2,3

NOTES:  
 1. WIRE AND CONNECT AS REQUIRED. SEE MECHANICAL DRAWINGS AND SPECS. STARTER BY DIV 16.  
 2. ALL STARTERS TO BE C/W HOA SWITCH, PILOT LIGHTS AND MINIMUM 2 PAIR OF AUXILIARY CONTACTS.  
 3. ALL CONDUCTORS SHALL BE COPPER, SIZE AS INDICATED AND RUN IN CONDUIT (EMT), EXCEPT WHERE IN CABLETROUGHS.  
 4. WIRE AS PER MECHANICAL. BREAKER C/W TYPE "A" AUXILIARY SWITCH. PKG STARTER BY DIV 15 ON UNIT.

GENERAL NOTES:

- ALL EQUIPMENT LOCATIONS SHOWN ARE APPROXIMATE AND SHOULD BE VERIFIED ON SITE
- INTERLOCK CHILLER CH-1 AND HEATERS E1, E2, E3, AND E10 TO PREVENT SIMULTANEOUSE USE. SEE DETALE 1 FOR WIRING DIAGRAM.
- ALL BREAKERS SHOULD BE SUPPLIED FROM AND LOCATED IN EXISTING NON-ESSENTIAL MCC. REFER TO DETALE 2 FOR BREAKER PLACEMENT. REPORT ANY DISCREPANCY TO THE CONSULTANT IMMEDIATELY.
- ALL EQUIPMENT DESCRIPTIONS REFER TO GENERAL ELECTRIC



B.M. ELEV. NO. REVISIONS DATE BY	<b>FARACI ENGINEERING LTD.</b> 210 FORT STREET WINNIPEG, MANITOBA, CANADA R3C 1E2		ENGINEER'S SEAL E.J.F. REGISTERED PROFESSIONAL ENGINEER	THE CITY OF WINNIPEG WORKS AND OPERATIONS DIVISION WATERWORKS WASTE AND DISPOSAL DEPARTMENT
	DESIGNED BY M.L.	CHECKED BY E.J.F.		
	DRAWN BY M.L.	APPROVED BY E.J.F.		
	HOR. SCALE 1:100 VERTICAL RELEASED FOR CONSTRUCTION DATE JUNE, 1993			
CONSULTANT DRAWING NO.			MACLEAN PUMPING STATION PUMPHOUSE HVAC ELECTRICAL	CITY DRAWING NUMBER ME-251 SHEET 3 OF 3 M-E1 ME-251

FILE # WP10620