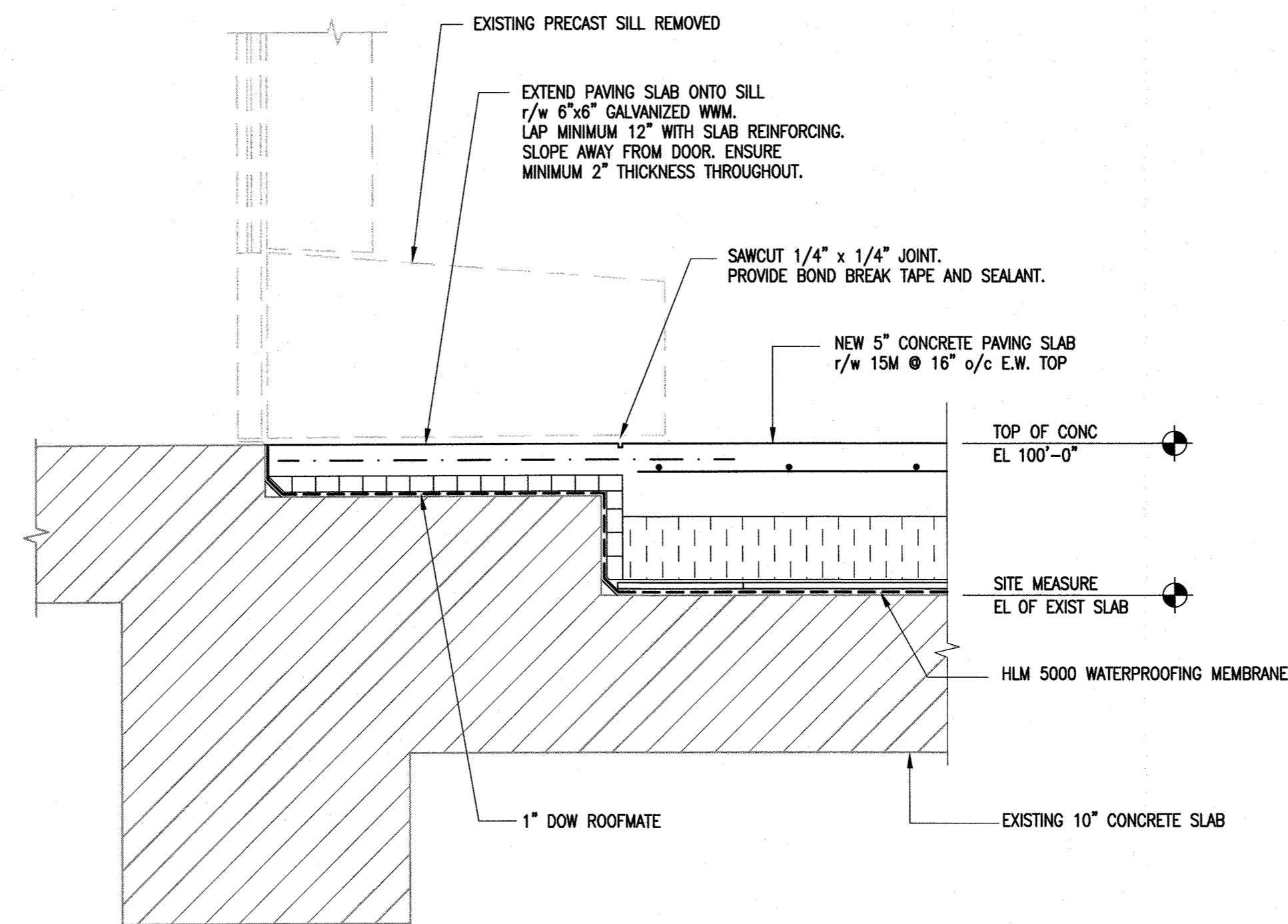
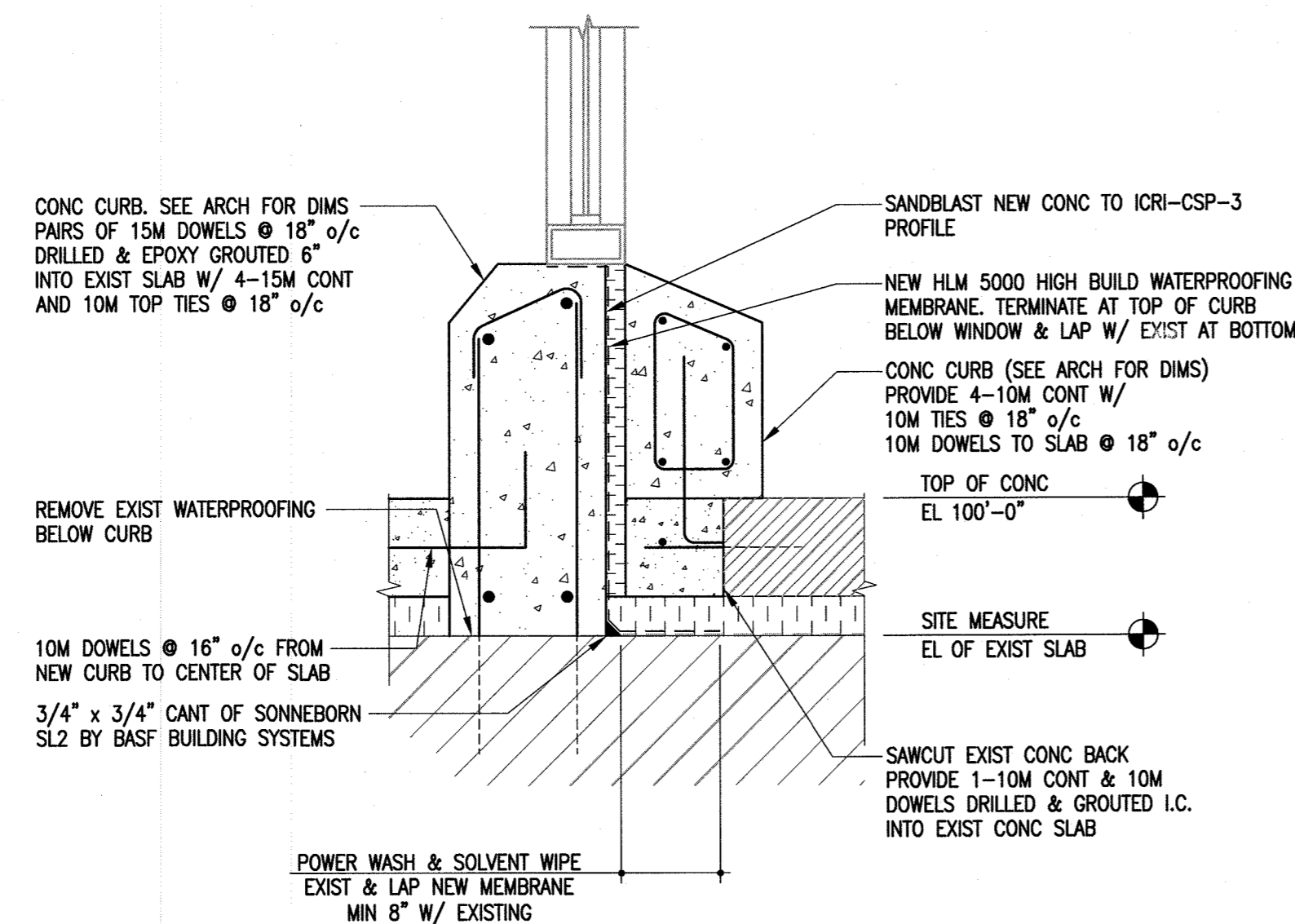


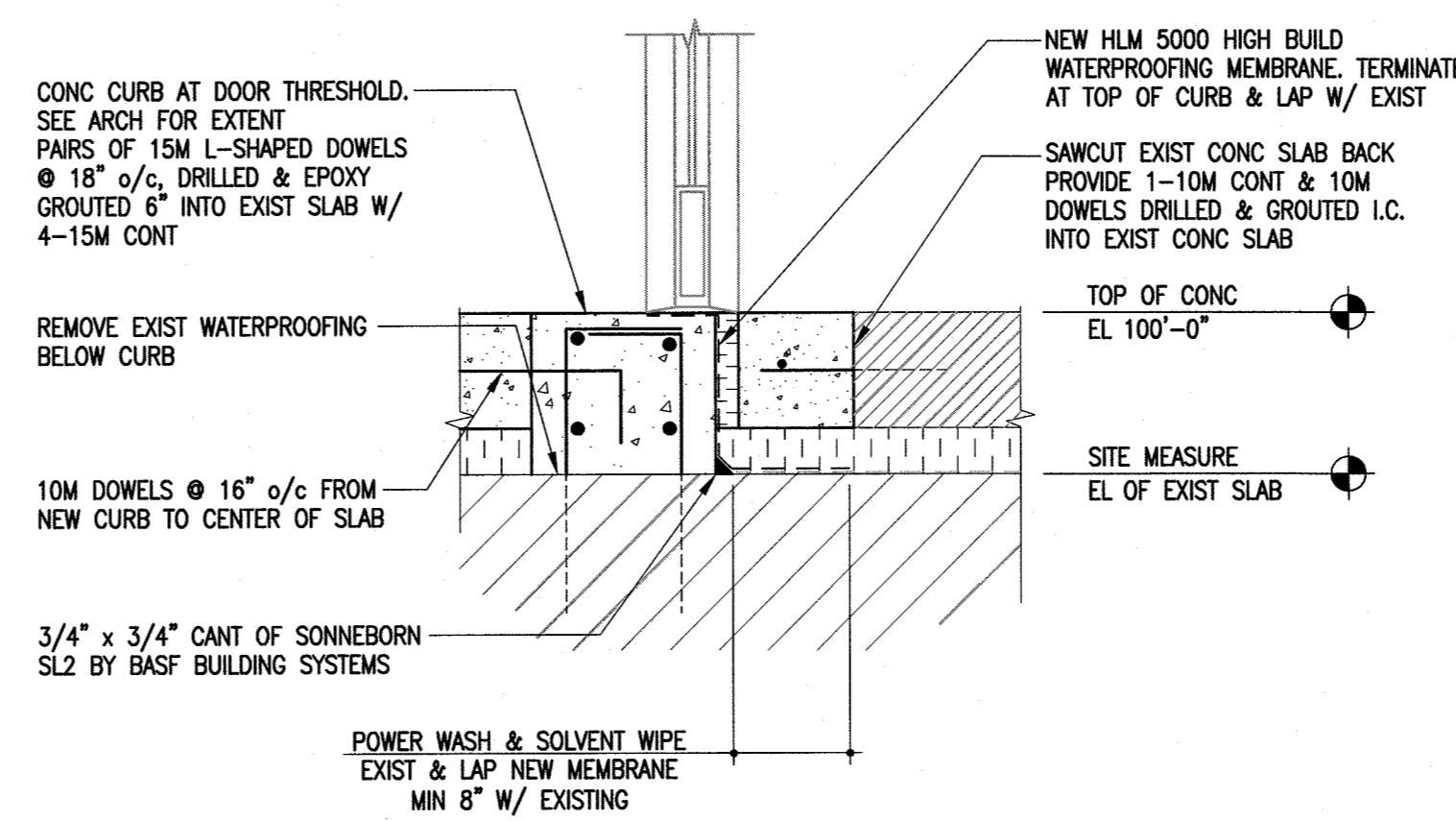
1 SECTION
S-3 1 1/2" = 1'-0"



3 SECTION
S-3 1 1/2" = 1'-0"



2 SECTION
S-3 1 1/2" = 1'-0"



4 SECTION
S-3 1 1/2" = 1'-0"

2	Issued for Tender	GDP	11/07/25
1	Issued for Client Review	GDP	12/06/25
NO.	REVISIONS	BY	YR/MO/DY

The contractor shall check all dimensions and other data from the job and report any discrepancies to the architects before proceeding. This drawing and the information on it, is proprietary and confidential. Reproduction of any sort is prohibited without the written approval of MMP Architects Inc.

PROJECT TITLE
**Millennium Library
Renovation and Vestibule Addition**
251 Donald Street, Winnipeg, MB

DRAWING TITLE
**Sections &
Details**

300-275 Carlton Street
Winnipeg, Manitoba R3C 5R6
T 204. 943. 7501
F 204. 943. 7507
2012-0512

**Crosier Kilgour
& Partners Ltd.**
CONSULTING STRUCTURAL ENGINEERS

**MVP
ARCHITECTS**

300 - 214 McDermot Avenue, Winnipeg Manitoba R3B 0S3
Tel (204) 956-0530 Fax (204) 943-5704 www.mmparchitects.com



APEGM
Certificate of Authorization
Crosier Kilgour & Partners Ltd.
No. 235 Date: Jul 11, 2012

APPROVED	CHECKED	DRAWN BY
GG	GG	GDP
SCALE	DATE	FILE NO.
Sections	JUNE 2012	2012-0512
DRAWING NUMBER	REVISION NUMBER	
S-3	---	
CAD FILE: 2012-0512_S-2.dwg	DRAWER NO: -	