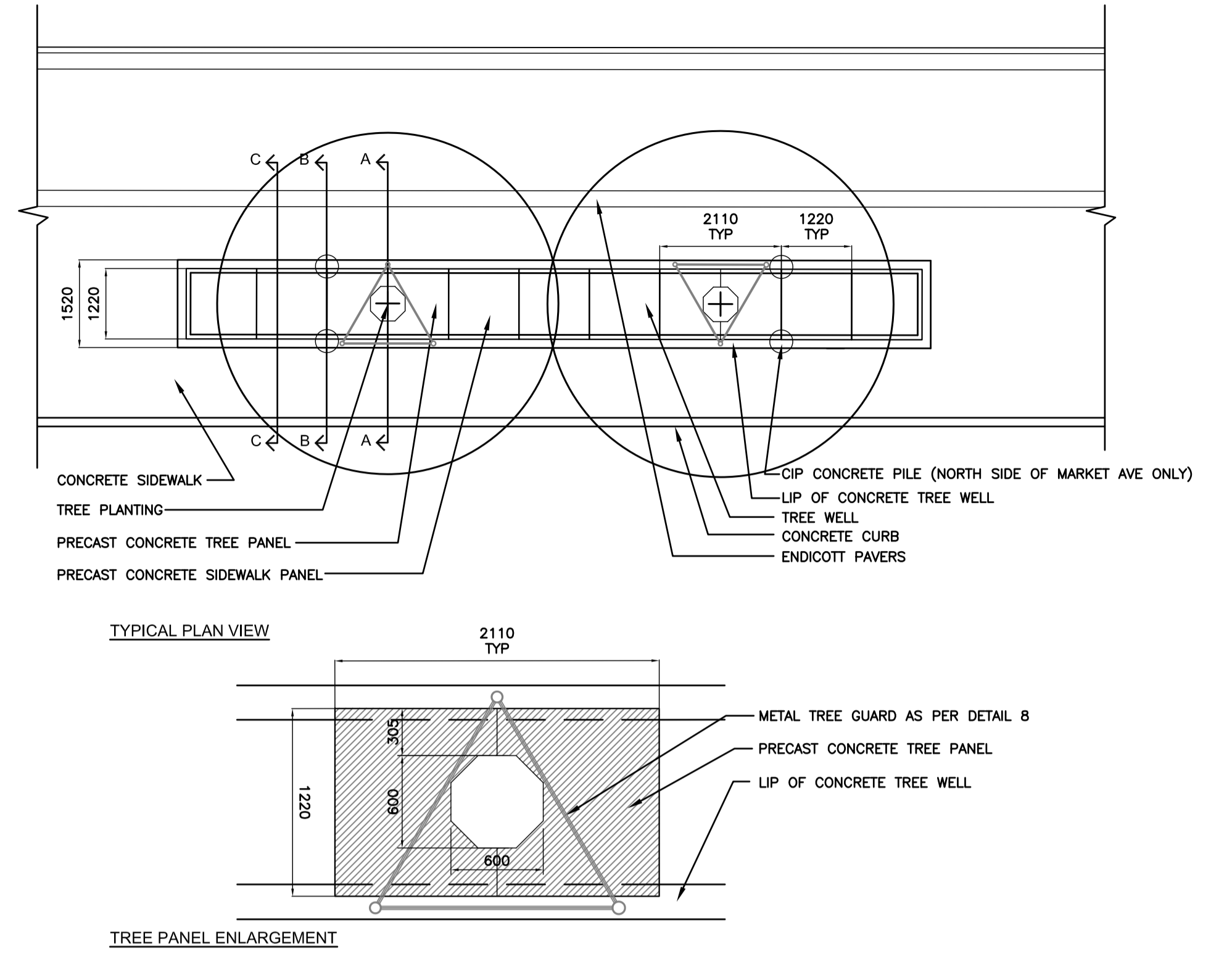
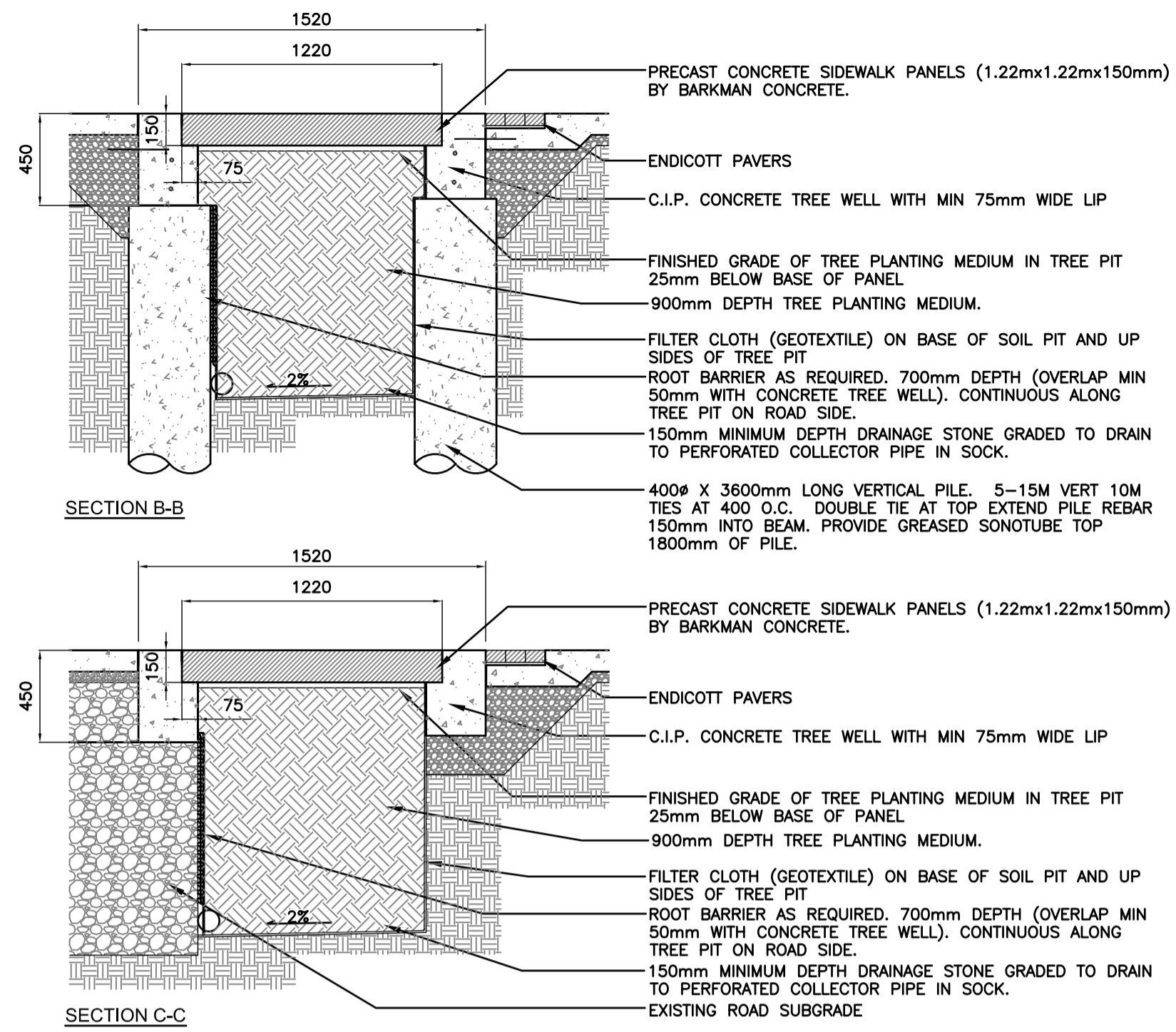
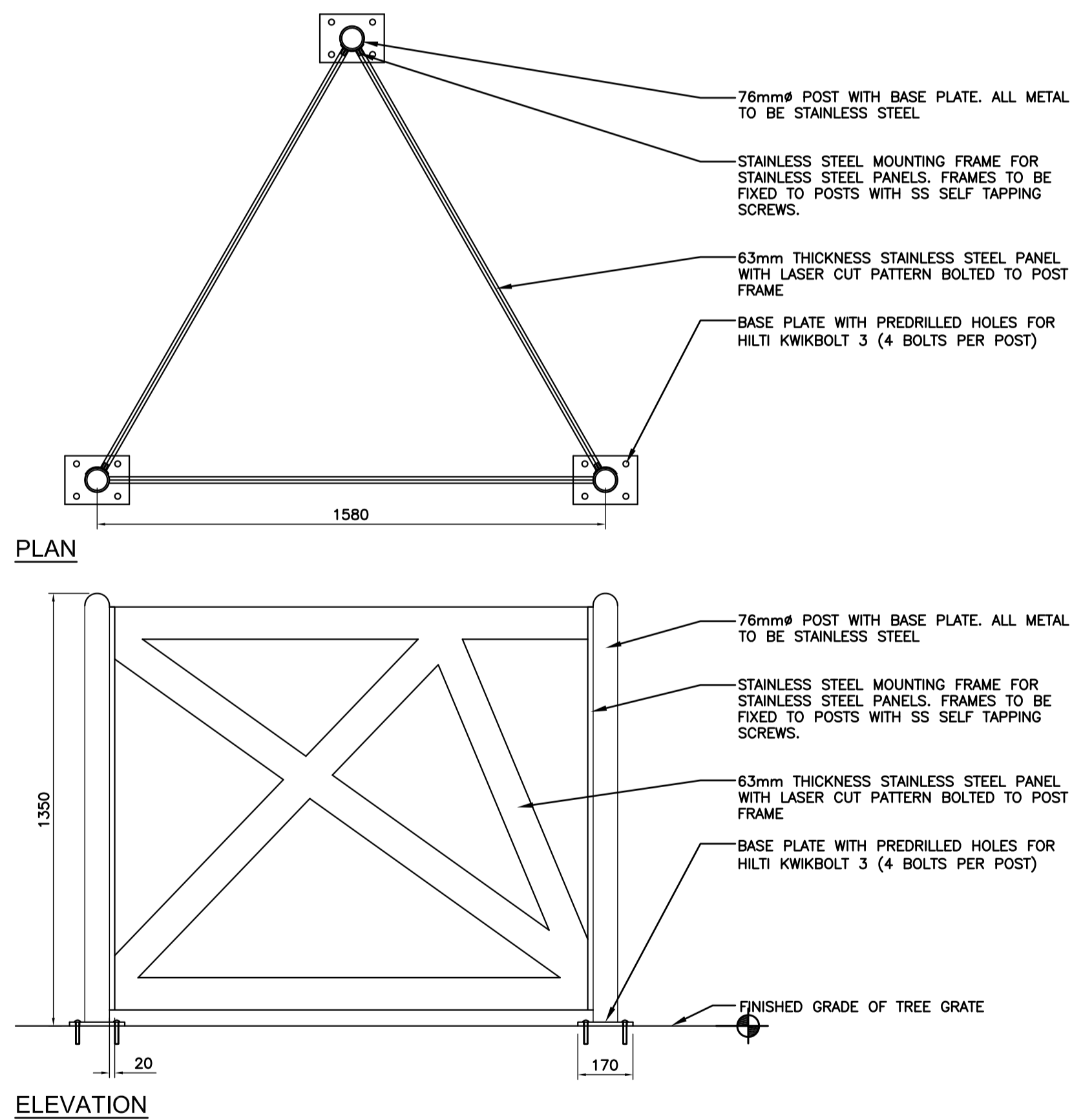


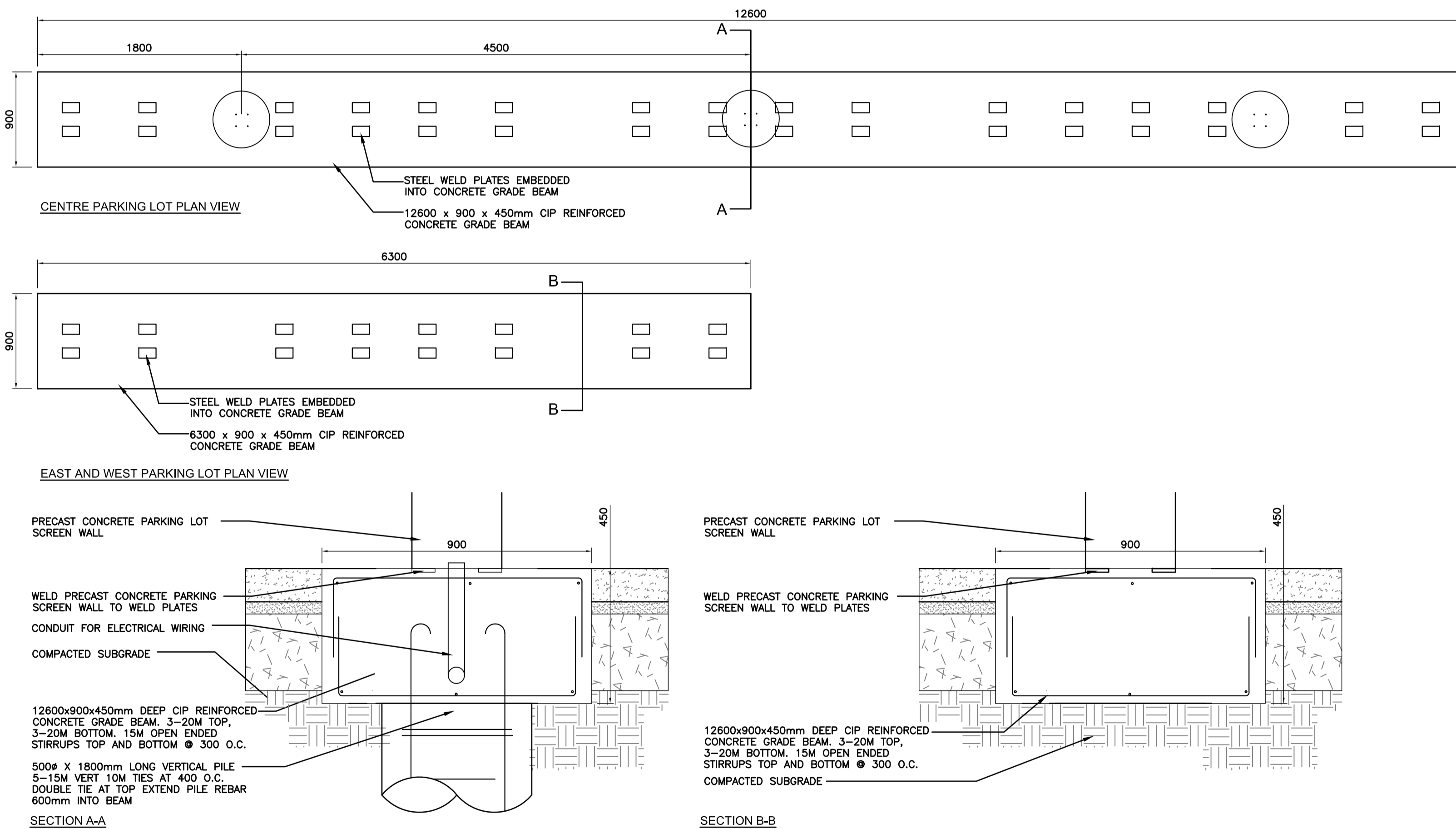
SECTION A-A



14 TREE VAULTS
11 8 NTS



15 METAL TREE GUARD
11 8 NTS



16 GRADE BEAM FOR PARKING LOT SCREEN WALL
11 8 NTS

CONTACTOR TO SUPPLY SHOP DRAWINGS STAMPED BY A STRUCTURAL ENGINEER LICENSED TO PRACTICE IN THE PROVINCE OF MANITOBA WITH EXTENSIVE EXPERIENCE IN THE DESIGN & MANUFACTURING OF ALUMINIUM SITE FURNITURE. SHOP DRAWINGS TO INCLUDED WALL THICKNESSES, MATERIALS ETC. AS LISTED IN THE SPECIFICATIONS.

ALL DIMENSIONS PROVIDED FOR INFORMATION ON DESIGN INTENT.



LOCATION APPROVED UNDERGROUND STRUCTURES

SUPV. U/G STRUCTURES COMMITTEE	DATE

NOTE:
 LOCATION OF UNDERGROUND STRUCTURES AS SHOWN ARE BASED ON THE BEST INFORMATION AVAILABLE BUT NO GUARANTEE IS GIVEN THAT ALL EXISTING UTILITIES ARE SHOWN OR THAT THE GIVEN LOCATIONS ARE EXACT. CONFIRMATION OF EXISTENCE AND EXACT LOCATION OF ALL SERVICES MUST BE OBTAINED FROM THE INDIVIDUAL UTILITIES BEFORE PROCEEDING WITH CONSTRUCTION.

B.M. ELEV.			

Stantec Consulting Ltd.
 905 Waverley Street, Winnipeg, Manitoba
 Tel 204-489-5900 Fax 204-453-9012

DESIGNED BY AH/SR	CHECKED BY AH/SR
DRAWN BY SM	APPROVED BY SR
HOR. SCALE: NTS	RELEASED FOR CONSTRUCTION: DATE
VERTICAL: N/A	
DATE 12.06.29	

ENGINEER'S SEAL

 AARON HIROTA
 Member No. 107
 CONSULTANT DRAWING NO. L-4

THE CITY OF WINNIPEG
 PLANNING, PROPERTY AND DEVELOPMENT DEPARTMENT
 PLANNING AND LAND USE DIVISION

MARKET AVENUE
 MAIN STREET TO RORIE STREET
 STREETSCAPE
 DETAILS 3 OF 3

SHEET 11 OF 12
CAD FILE DRAWING NUMBER
CITY DRAWING NUMBER P-3336-07