

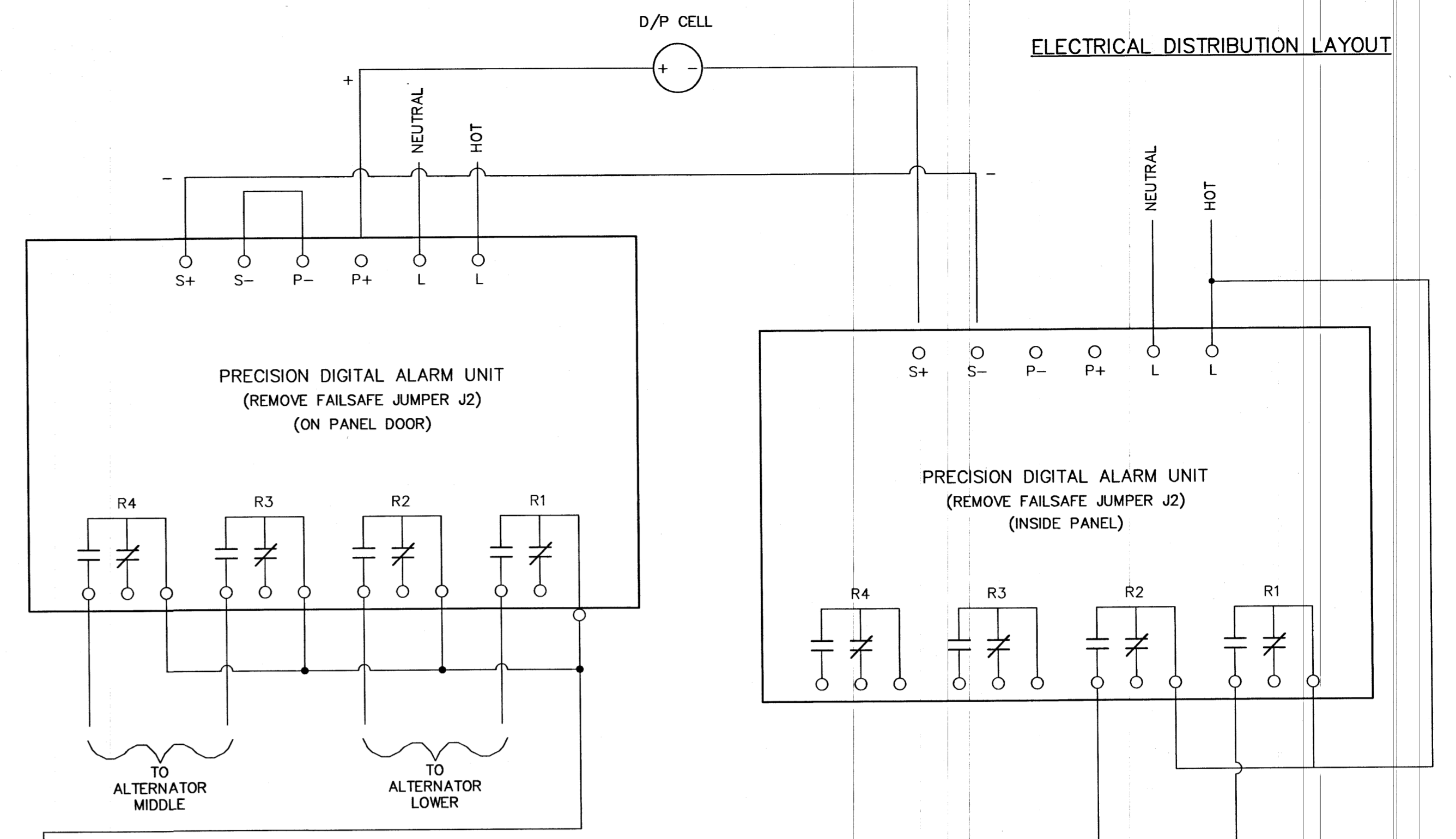
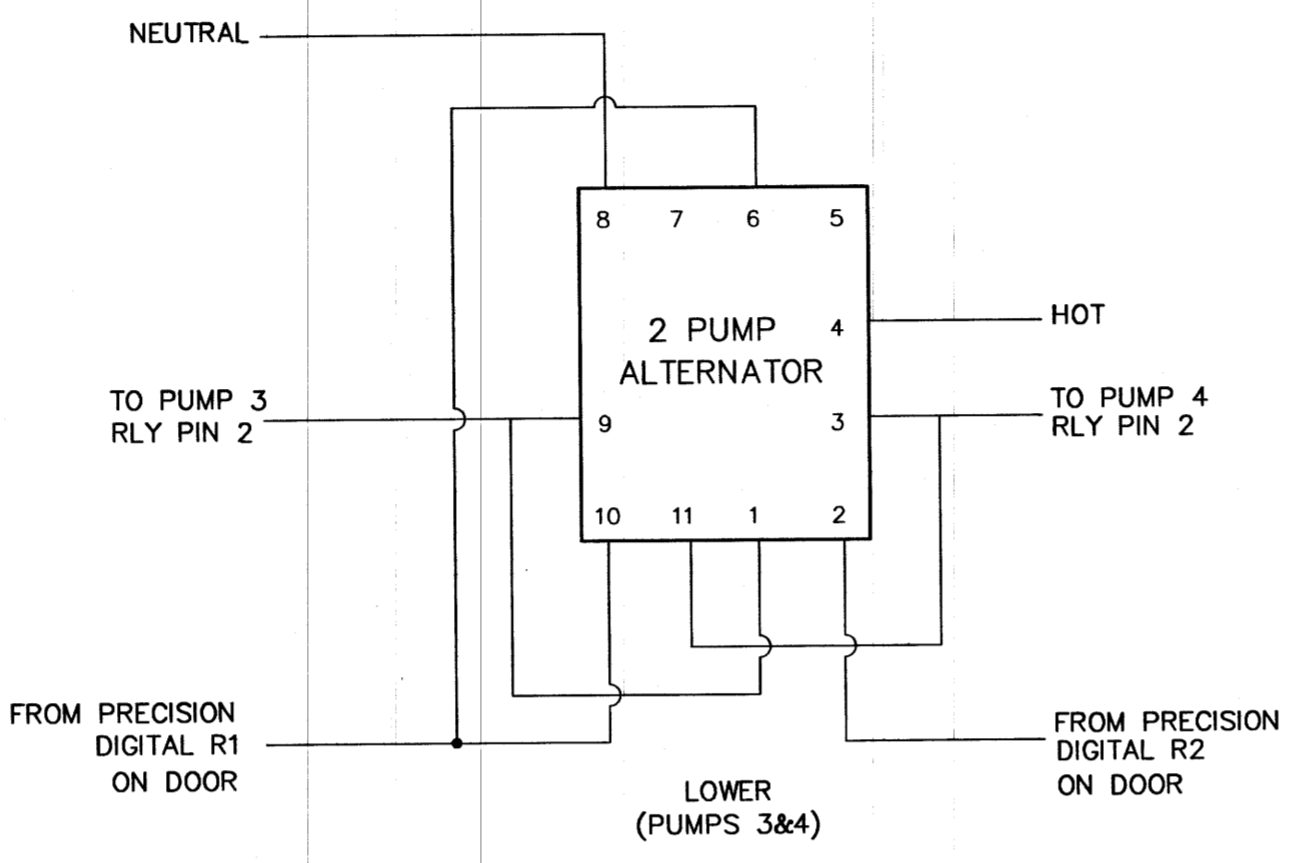
ALARM WIRING TEMPLATE

ALARM INPUT	DESCRIPTION	PLC ADDRESS	COLOR
ALARM INPUT 1	LOCKOUT	10001	BLUE
ALARM INPUT 2	OVERFLOW	10002	BLUE/WHITE
ALARM INPUT 3	STATION FLOOD	10003	BLUE/RED
ALARM INPUT 4	LOW INSTR. AIR	10004	BLUE/BLACK
ALARM INPUT 5	LOW TEMP.	10005	RED
ALARM INPUT 6	LOSS OF SEAL WATER	10006	RED/BLACK
ALARM INPUT 7	GENERATOR RUN	10007	RED/WHITE
ALARM INPUT 8	POWER FAILURE	10008	ORANGE
ALARM INPUT 9	FLOOD STATION HIGH WET WELL	10009	ORANGE/RED
ALARM INPUT 10	FLOOD STATION FLOOD	10010	ORANGE/BLACK
ALARM INPUT 11	GENERATOR FAIL	10011	BLACK
ALARM INPUT 12	WET WELL UPPER	10012	BLACK/WHITE
ALARM INPUT 13	COM/PUMP FAILURE	10013	BLACK/RED
ALARM INPUT 14	ENGINE RUN		GREEN
ALARM INPUT 15	ENGINE FAIL		GREEN/BLACK
ALARM INPUT 16	UPS FAIL		GREEN/WHITE

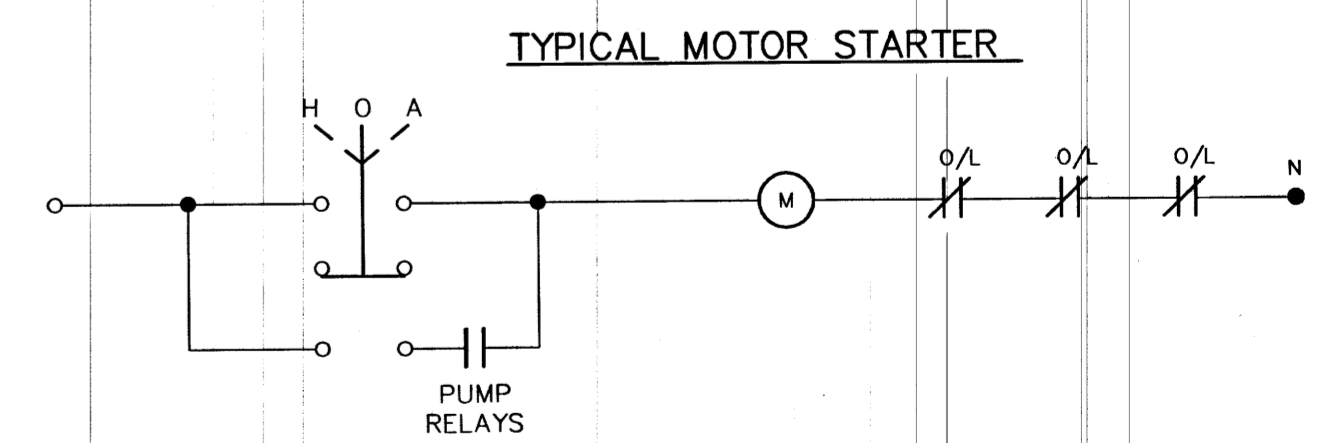
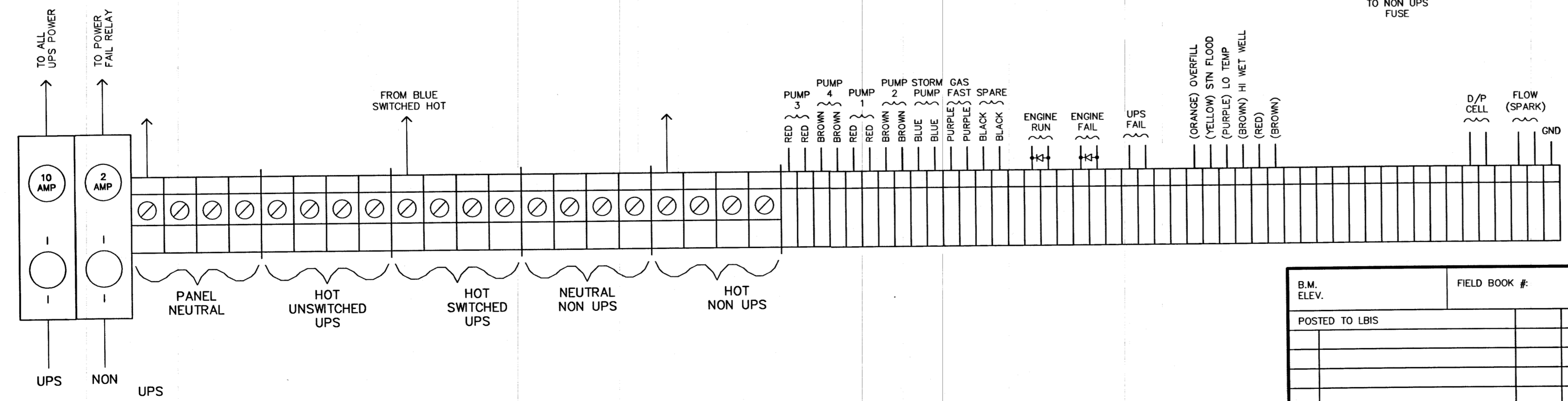
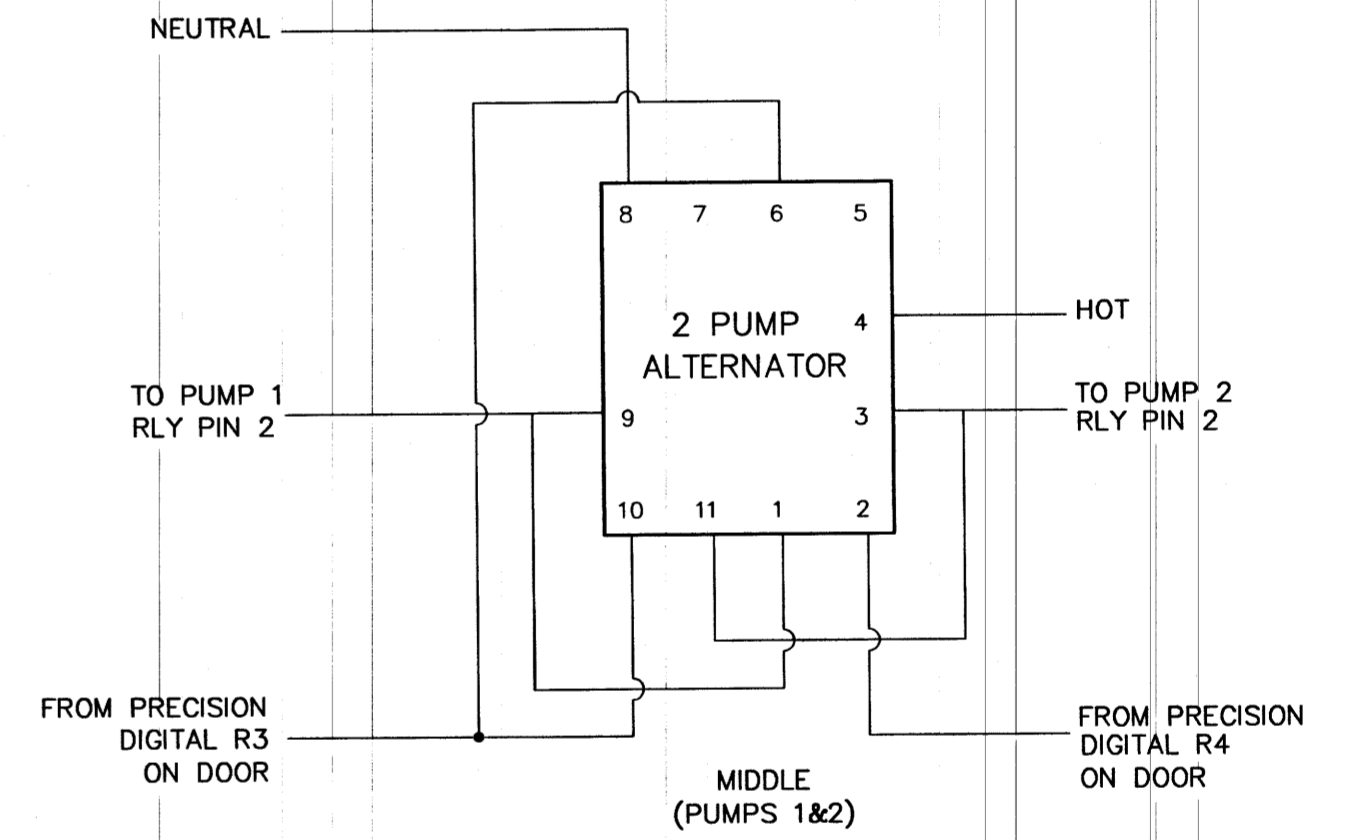
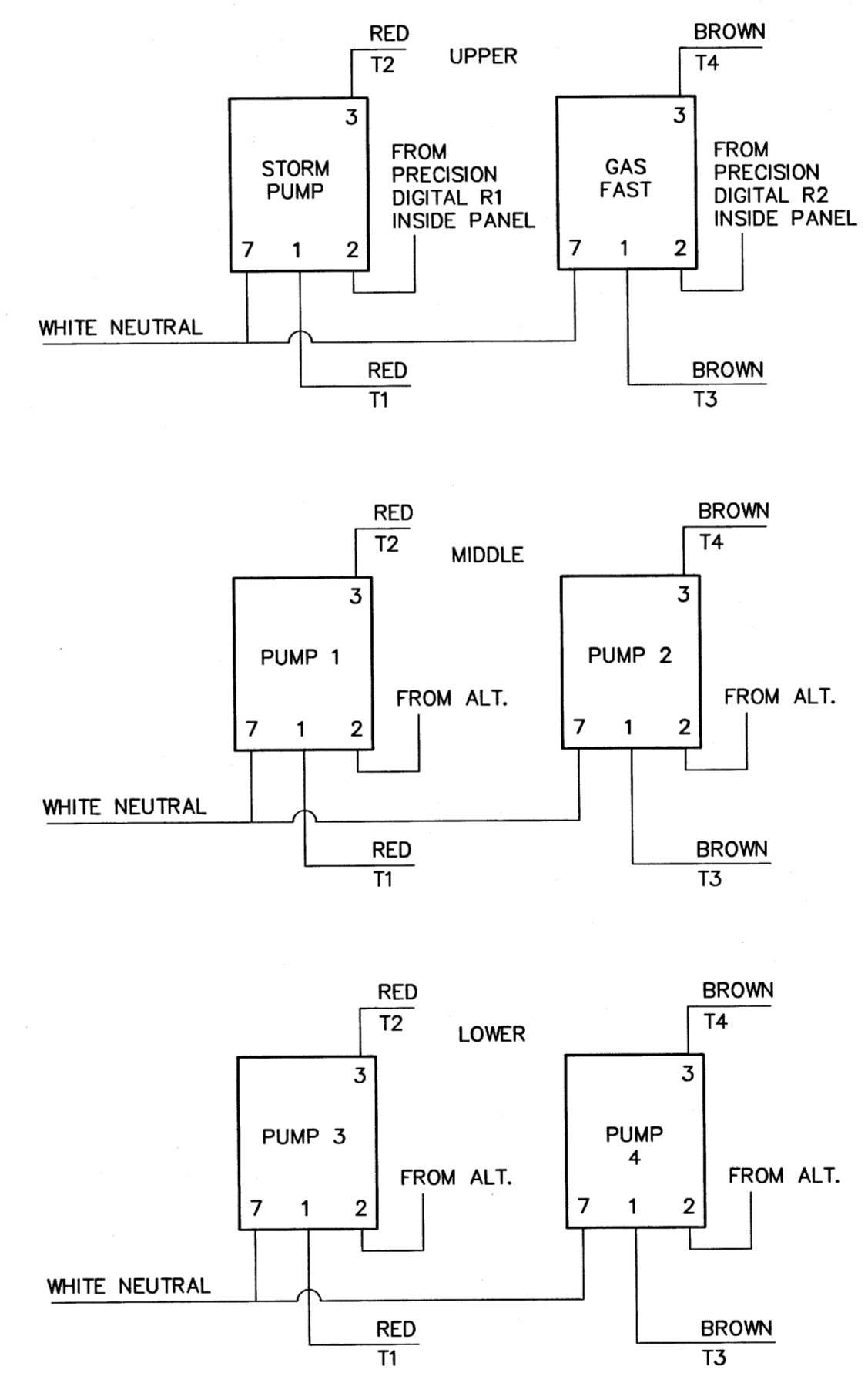
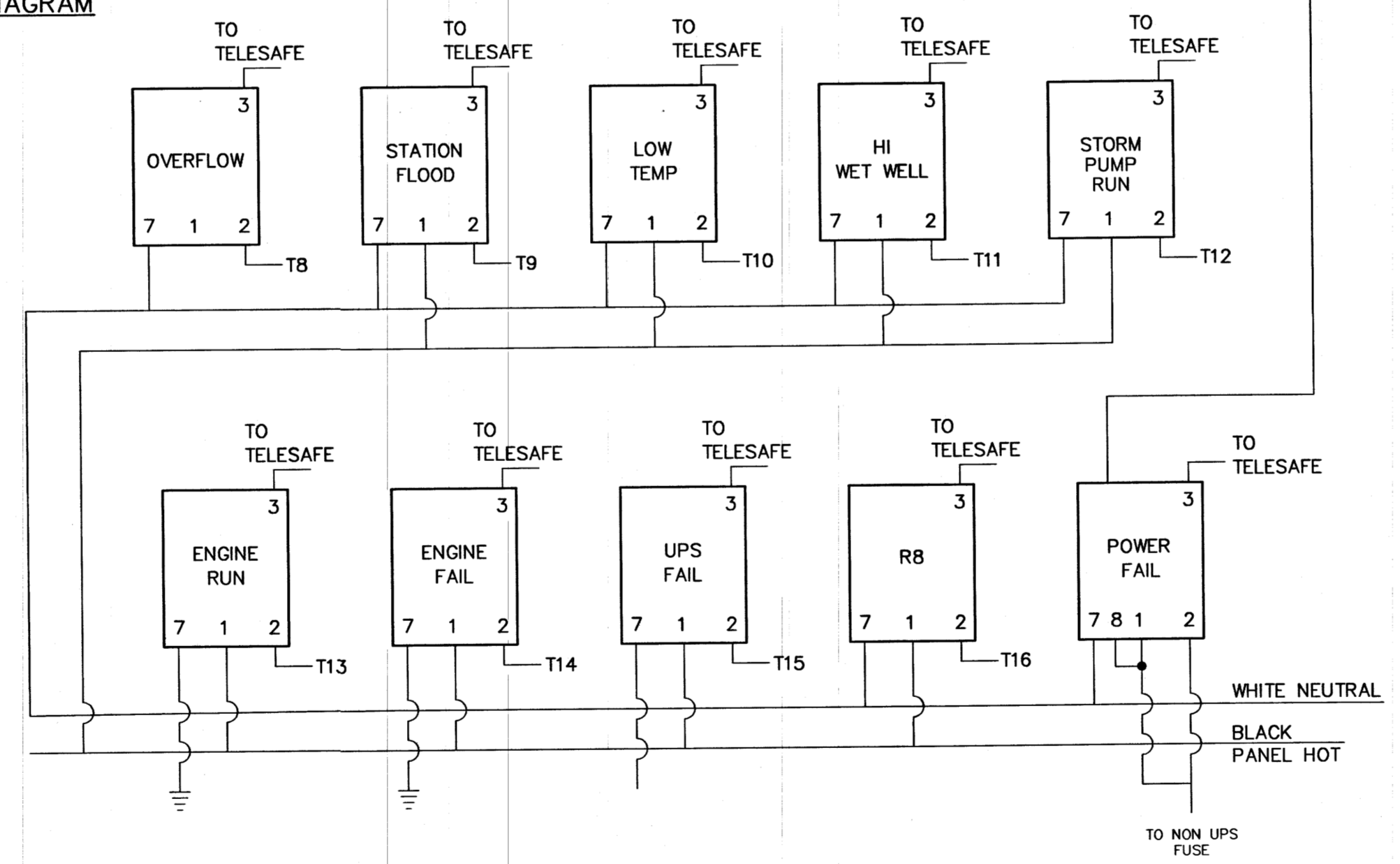
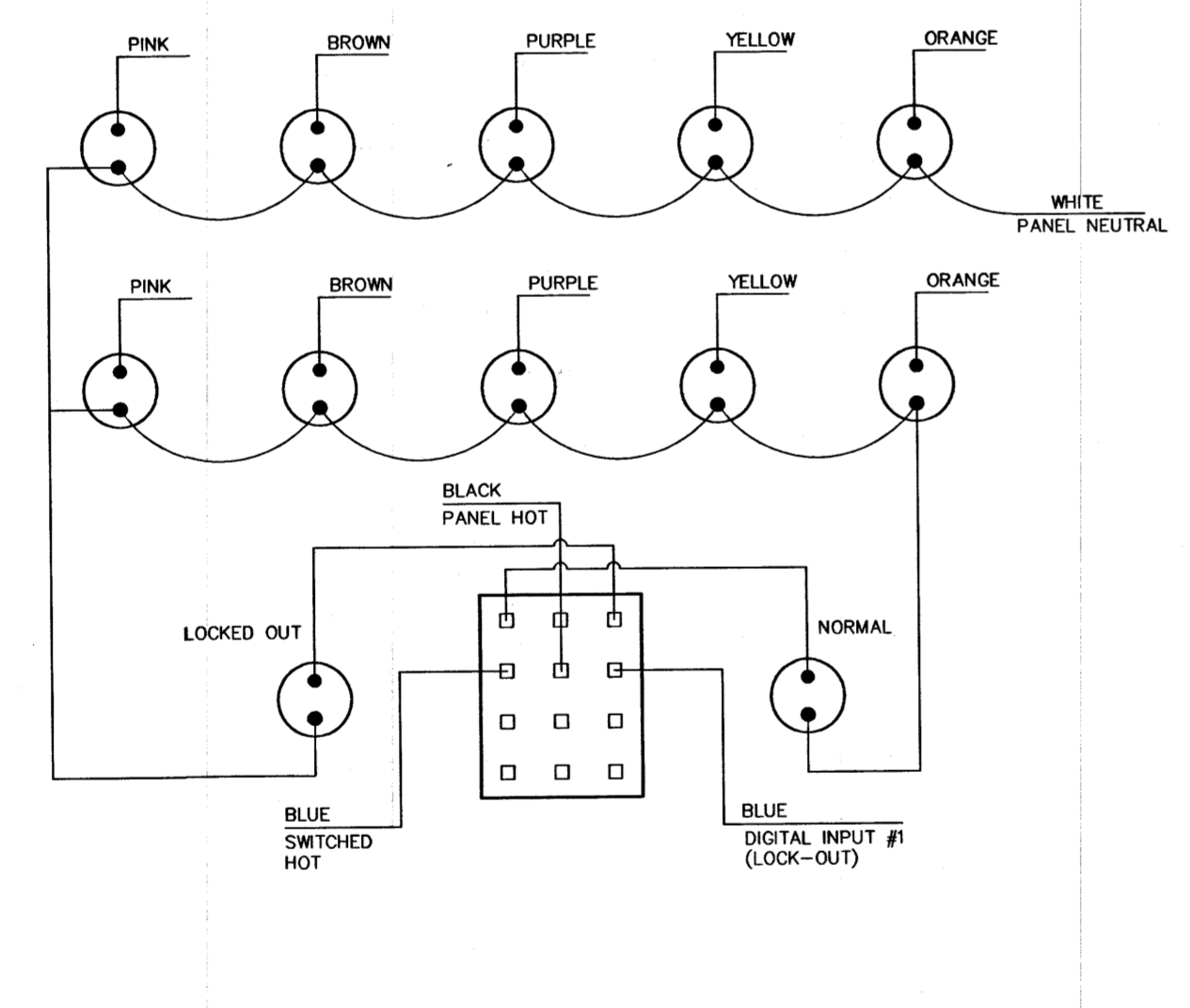
Any other types of alarms are to be wired to alarm inputs 14 through 16. Otherwise call the Metershop for further instructions.

ANALOG WIRING	PLC ADDRESS	
INPUT 1	LIFT LEVEL	30001
INPUT 2	FLOOD LEVEL	30002
INPUT 3	FLOW	30003

	ON	OFF
DUTY 1	45%	24%
2	50%	30%
3	55%	36%
4	60%	42%
STORM PUMP	75%	60%
GAS FAST	80%	54%



WIRING DIAGRAM



B.M. ELEV.	FIELD BOOK #:	<b>CITY OF WINNIPEG WATER AND WASTE ENGINEERING DIVISION</b>		ENGINEER'S SEAL		<b>THE CITY OF WINNIPEG WATER AND WASTE DEPARTMENT</b>
POSTED TO LBIS		DESIGNED BY: BS	CHECKED BY: BS	WESTWOOD LIFT STATION		
		DRAWN BY: GMZ	APPROVED BY:			ELECTRICAL AND CONTROL
		HOR. SCALE: N.T.S.	RELEASED FOR CONSTRUCTION:			
		VERTICAL SCALE:	DATE: 2001 03 06			04409
NO. REVISIONS	DATE	BY	DATE		PLOT DATE: 2001 03 12	