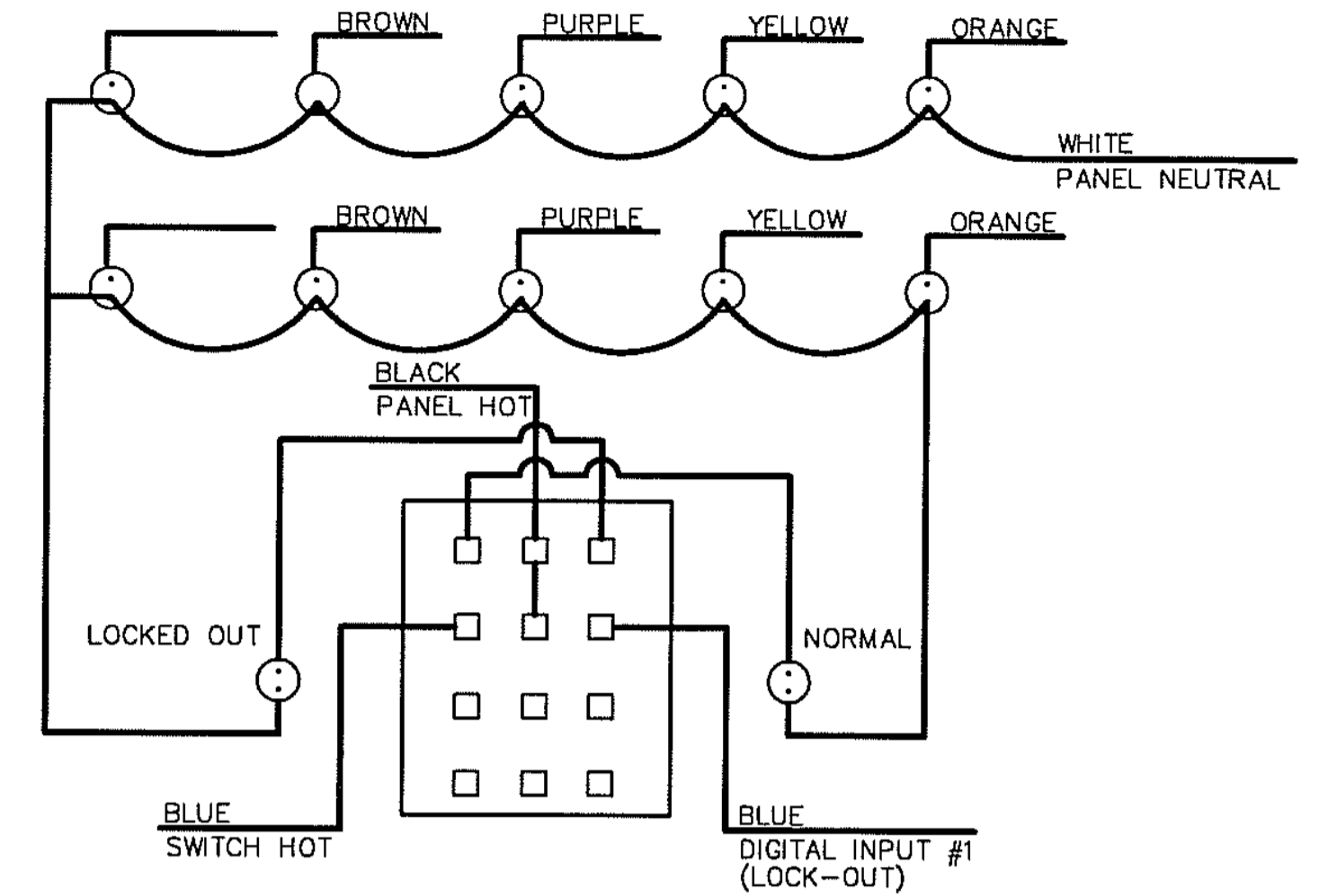
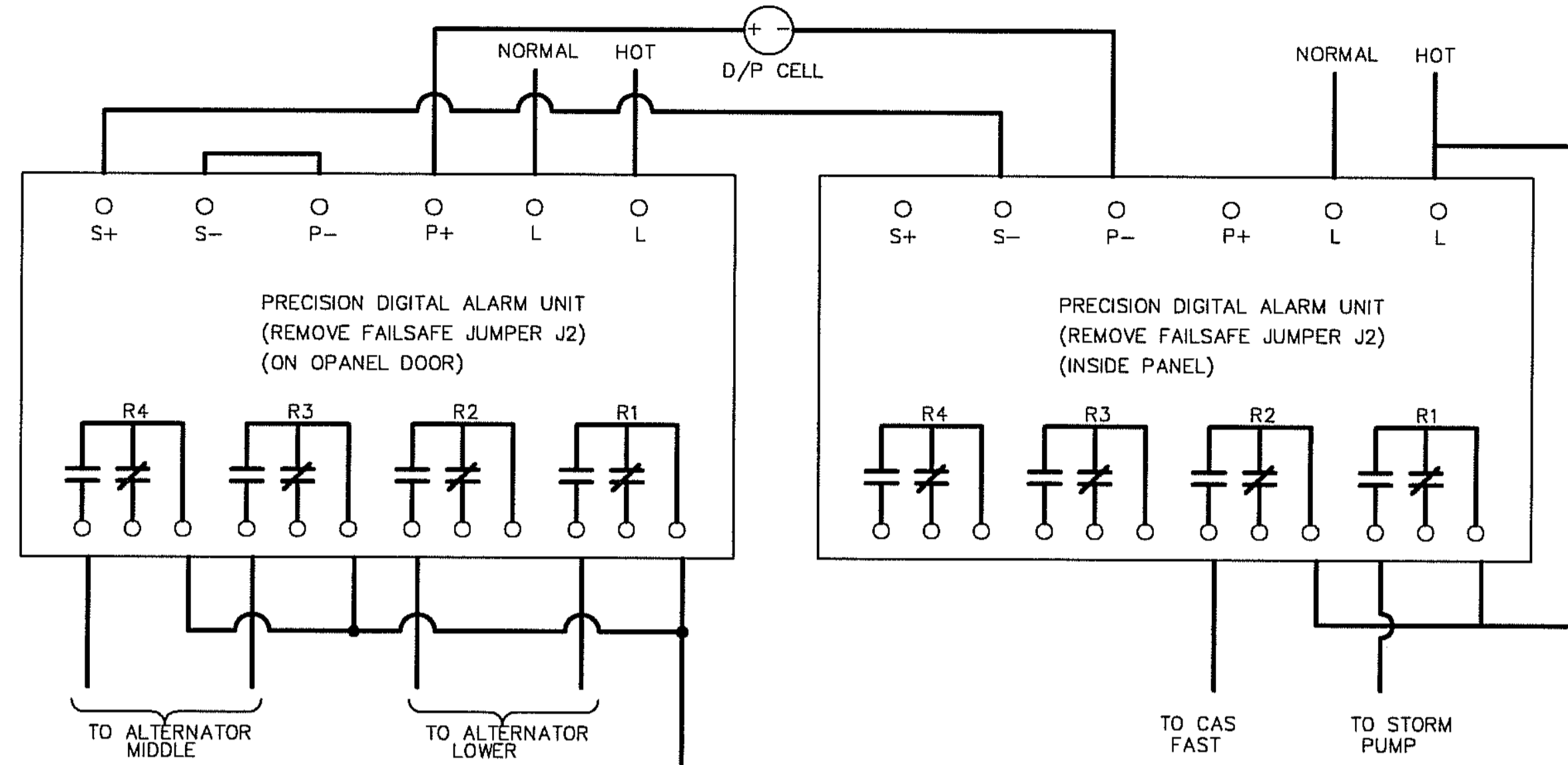


ALARM WIRING TEMPLATE

ALARM INPUT	DESCRIPTION	PLC ADDRESS	COLOR
ALARM INPUT 1	LOCKOUT	10001	BLUE
ALARM INPUT 2	OVERFLOW	10002	BLUE/WHITE
ALARM INPUT 3	STATION FLOOD	10003	BLUE/RED
ALARM INPUT 4	LOW INSTR. AIR	10004	BLUE/BLACK
ALARM INPUT 5	LOW TEMP	10005	RED
ALARM INPUT 6	LOSS OF SEAL WATER	10006	RED/BLACK
ALARM INPUT 7	GENERATOR RUN	10007	RED/WHITE
ALARM INPUT 8	POWER FAILURE	10008	ORANGE
ALARM INPUT 9	FLOOD STN HIGH WET WELL	10009	ORANGE/RED
ALARM INPUT 10	FLOOD STN FLOOD	10010	ORANGE/BLACK
ALARM INPUT 11	GENERATOR FAIL	10011	BLACK
ALARM INPUT 12	WET WELL UPPER	10012	BLACK/WHITE
ALARM INPUT 13	COM/PUMP FAILURE	10013	BLACK/RED
ALARM INPUT 14	ENGINE RUN		GREEN
ALARM INPUT 15	ENGINE FAIL		GREEN/BLACK
ALARM INPUT 16	UPS FAIL		GREEN/WHITE

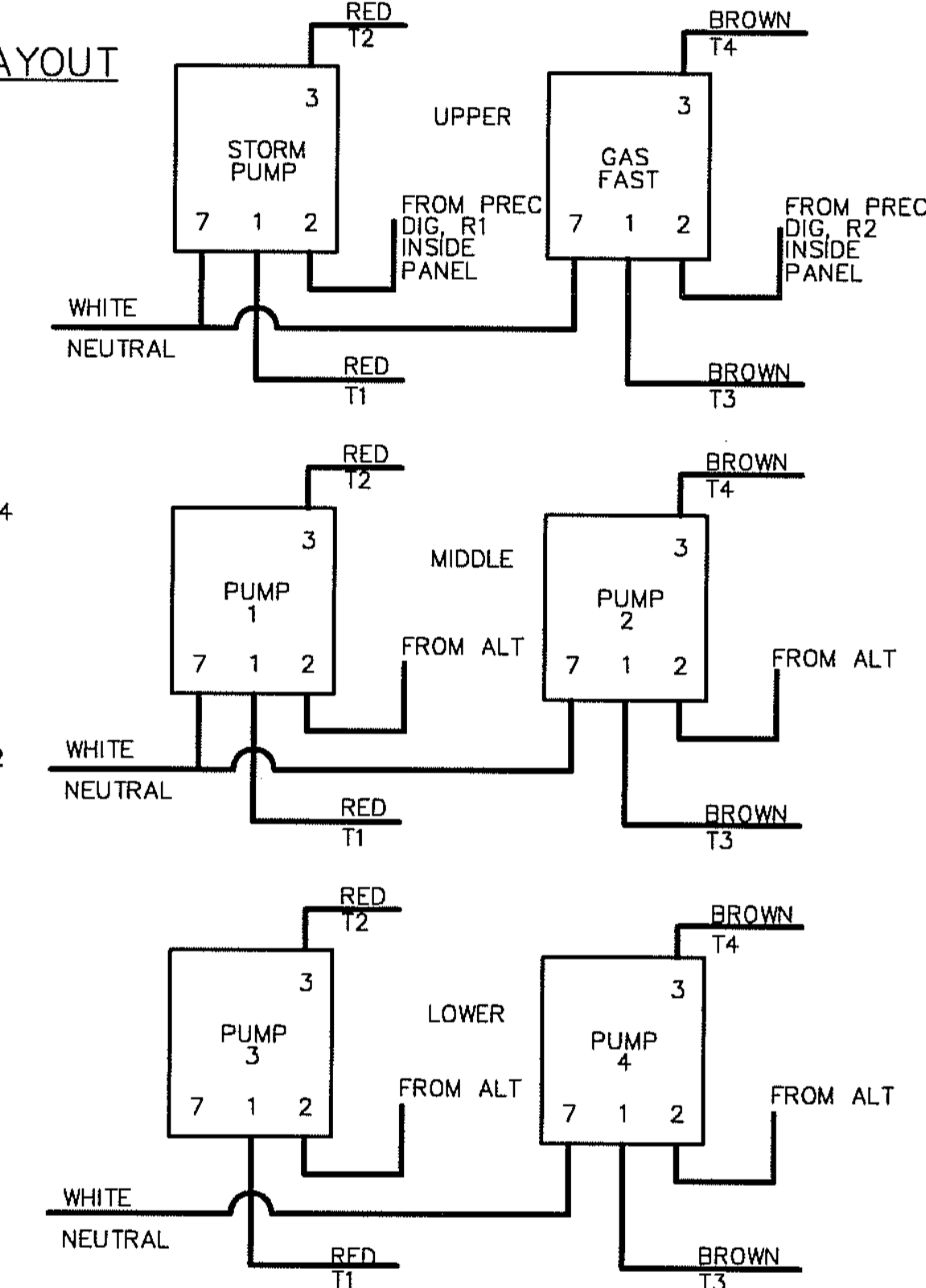
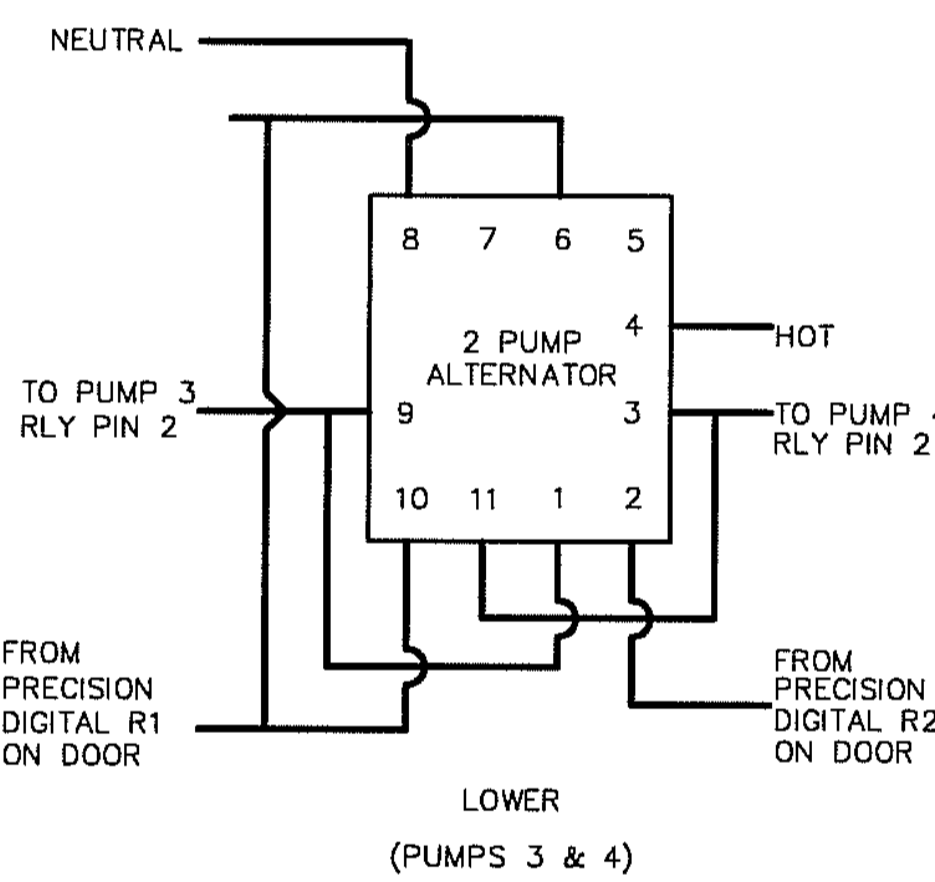
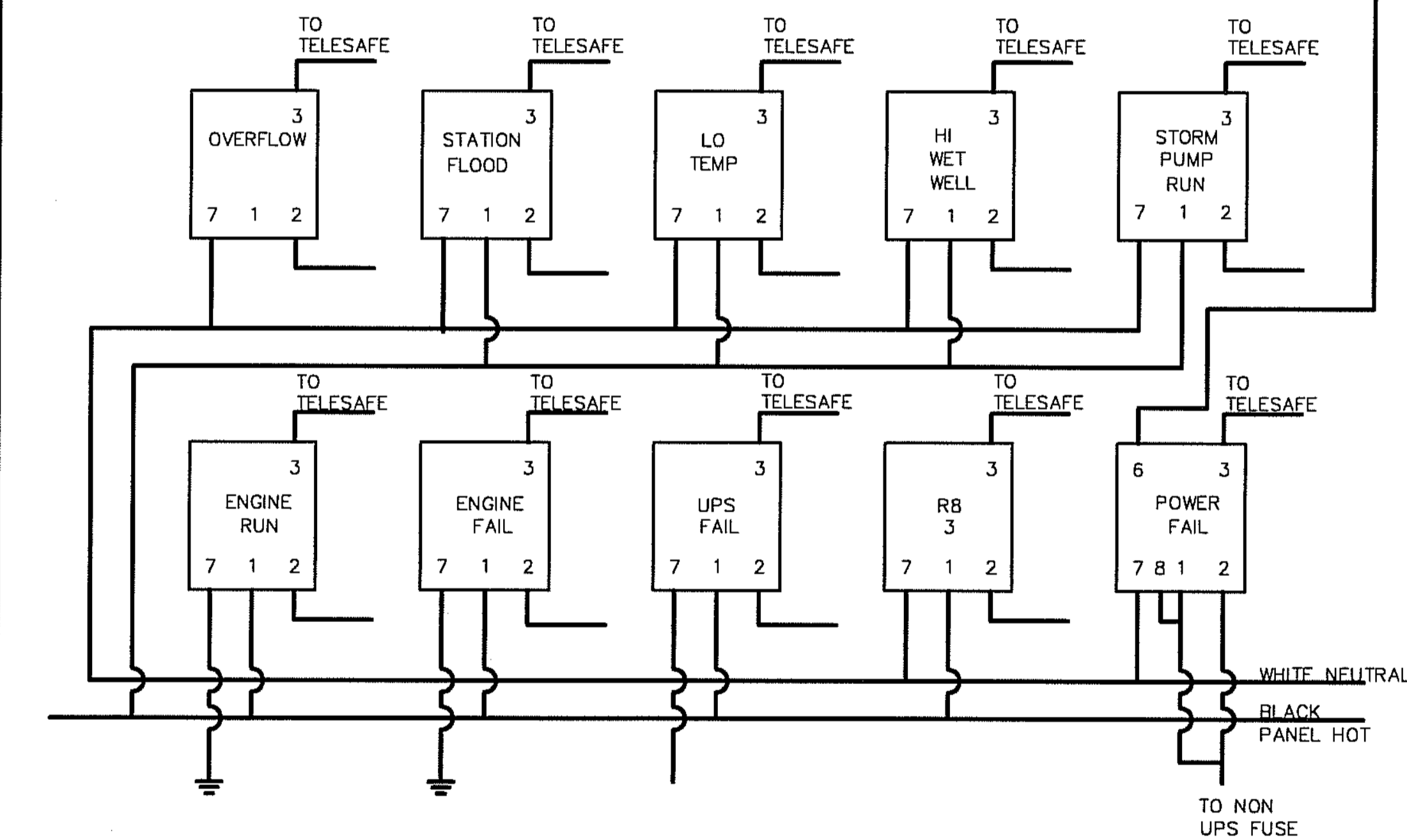
ANY OTHER TYPES OF ALARMS ARE TO BE WIRED TO ALARM INPUTS 14 TO 16 OTHERWISE CALL THE METER SHOP FOR FURTHER INSTRUCTIONS

ANALOG WIRING	PLC ADDRESS
INPUT 1	LIFT LEVEL 30001
INPUT 2	FLOOD LEVEL 30002
INPUT 3	FLOW 30003

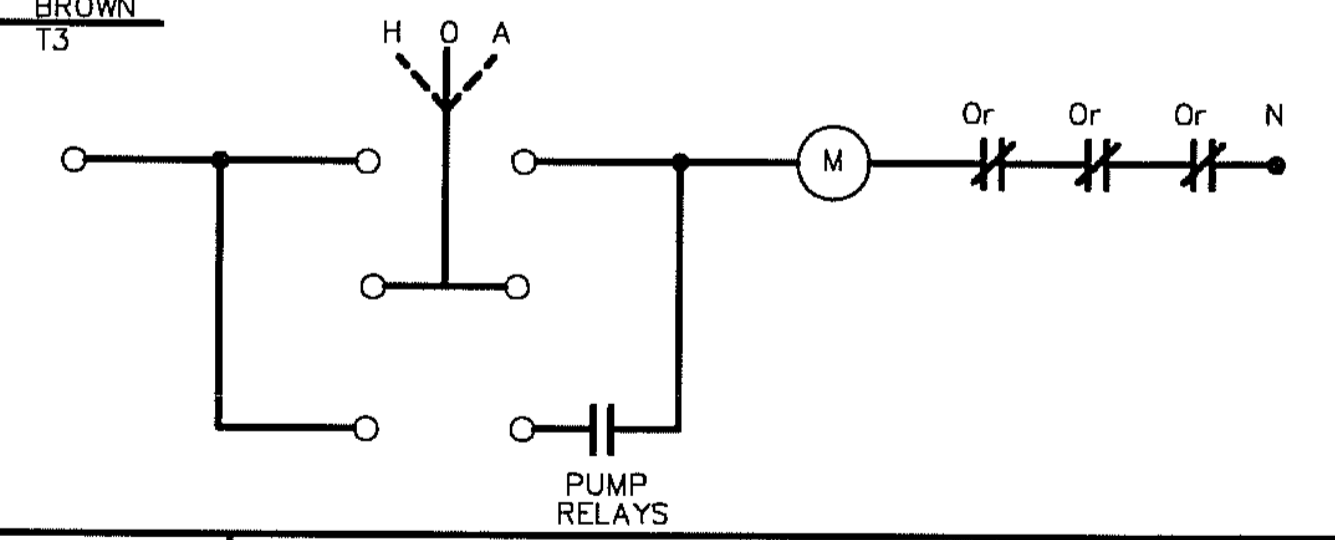
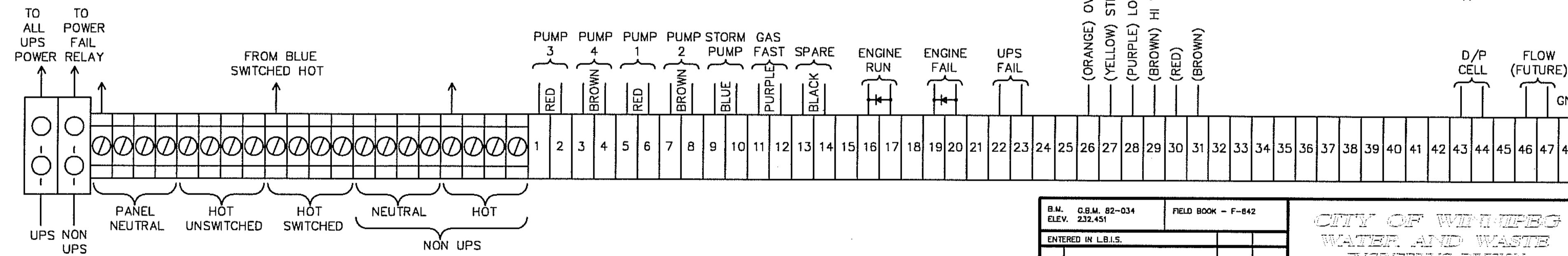


WIRING DIAGRAM

ELECTRICAL DISTRIBUTION LAYOUT



TYPICAL MOTOR STARTER



B.M. G.S.M. 82-034 ELEV. 232-451	FIELD BOOK - F-842	CITY OF WINNIPEG WATER AND WASTE ENGINEERING DIVISION		ENGINEER'S SEAL	THE CITY OF WINNIPEG WATER AND WASTE DEPARTMENT
DESIGNED BY	CHECKED BY	DRAWN BY EN	APPROVED BY	WESTWOOD LIFT STATION ELECTRICAL AND CONTROL	
HOR. SCALE NTS	RELEASED FOR CONSTRUCTION	DATE 200 02 15	DATE		SHEET OF
NO. REVISIONS	DATE BY	DATE	DATE	CITY DRAWING NUMBER	
				4589	

©:\DRAWINGS\SEWER\COMBINED\LIFTSTATION\4589.DWG