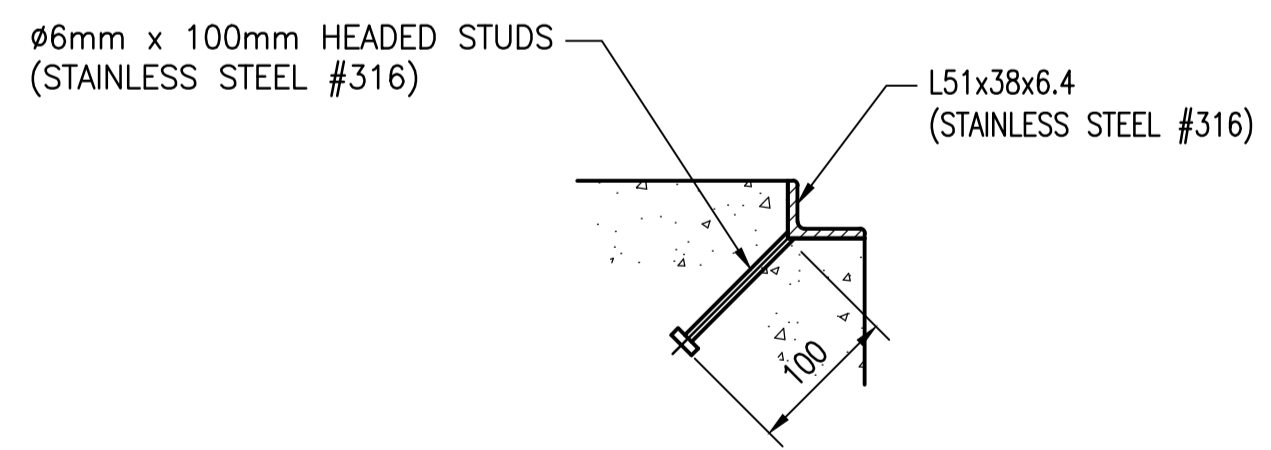
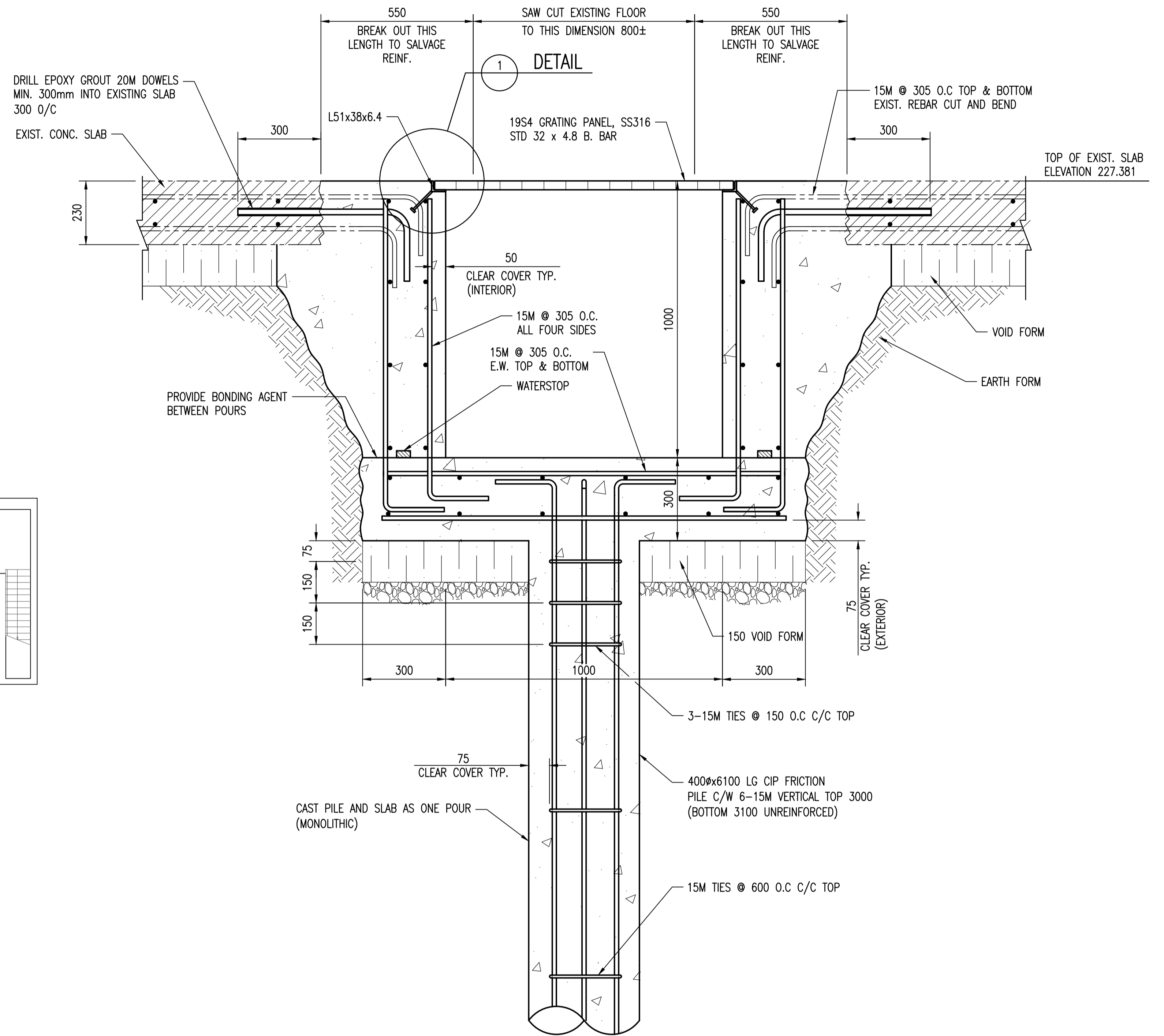


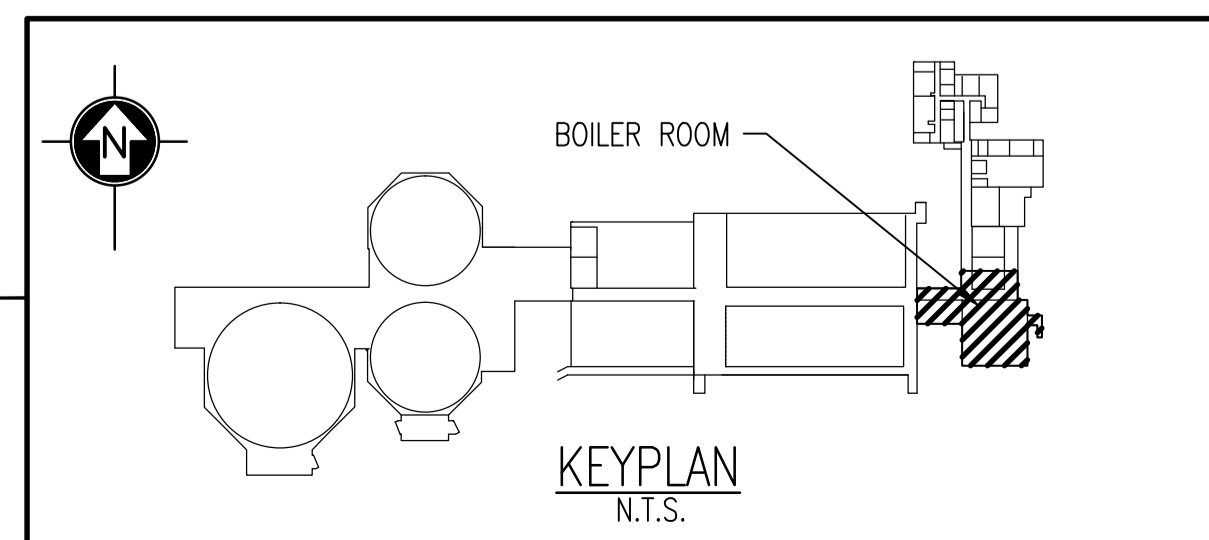
PARTIAL BASEMENT FLOOR PLAN AT ELEVATION 227.381
SCALE: 1 : 100



1 **DETAIL - GRATING SUPPORT ANGLE**
SCALE: 1 : 5



A **SECTION**
SCALE: 1 : 10



NO.	REVISIONS	DATE	DESIGN	CHECK
00	ISSUED FOR TENDER, BID OPP. 545-2012	2012/10/15	KK	RB

SNC-LAVALIN INC.
148 Nature Park Way
Winnipeg, MB, Canada R3P 0X7
204-786-8080

DESIGNED BY: K. KOTYK
DRAWN BY: M. TUGADE
SCALE: AS NOTED
DATE: 2012/04/25

CHECKED BY: R. BEAN
APPROVED BY: C. REIMER
RELEASED FOR CONSTRUCTION BY: N. HARRINGTON
DATE: 2012/09/10

CONSULTANT NO.: 112577-0116-42DD-0002

ENGINEER'S SEAL

ORIGINAL DRAWING SEALED BY:
K. K. KOTYK
SNC-LAVALIN MEMBER #21950
2012/10/18
REV. 00

THE CITY OF WINNIPEG
WATER AND WASTE DEPARTMENT

SOUTH END WATER POLLUTION CONTROL CENTRE
VENTILATION & MISC. UPGRADES
PLAN, SECTION AND DETAIL
BOILER ROOM BACKUP SUMP PIT

CITY DRAWING NUMBER: 1-0102B-S0002
SHEET: 001
REV: 00
SIZE: A1