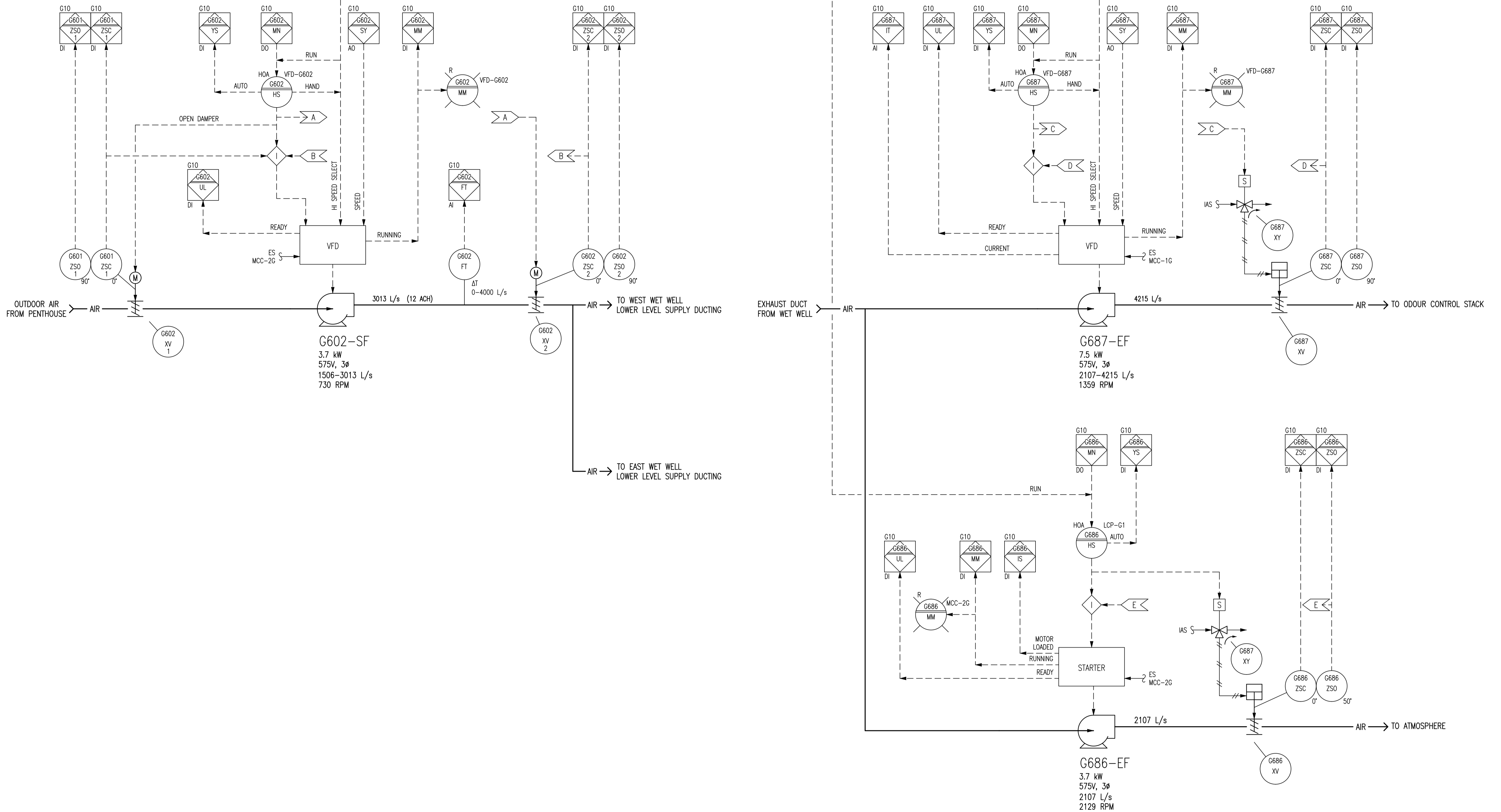


GAS DETECTION ALARM
1-0102G-A0071



NOTES:

1. THE DRAWING SUPERCEDES 1-0102G-A0029.
2. VFD FOR G602-SF AND G687-EF TO RAMP UP AT A RATE OF 1Hz/sec AFTER DAMPERS CRACK OPEN.



DESIGNED BY:	T. CHURCH	CHECKED BY:	C. REIMER
DRAWN BY:	M.J. PERSSON	APPROVED BY:	C. REIMER
SCALE:	NTS	RELEASED FOR CONSTRUCTION BY:	N. HARRINGTON
DATE:	2012/01/16	DATE:	2012/10/11
CONSULTANT NO.:	112577-0116-49DD-0132		

SNC-LAVALIN INC.
148 Nature Park Way
Winnipeg, MB, Canada R3P 0X7
204-786-8080

ENGINEER'S SEAL

THE CITY OF WINNIPEG
WATER AND WASTE DEPARTMENT

SOUTH END WATER POLLUTION CONTROL CENTRE
PUMP & SCREEN BUILDING
PROCESS & INSTRUMENTATION DIAGRAM
WET WELL SUPPLY AND EXHAUST FANS
G602-SF, G686-EF & G687-EF

CITY DRAWING NUMBER: 1-0102G-A0095
SHEET: 001
REV: 00
SIZE: A1

1-0102G-A0093	P & ID, WET WELL VENTILATION
1-0102A-A0001	PROCESS & INSTRUMENT DIAGRAMS LEGEND & DETAILS
DRAWING NUMBER	REFERENCE DRAWINGS