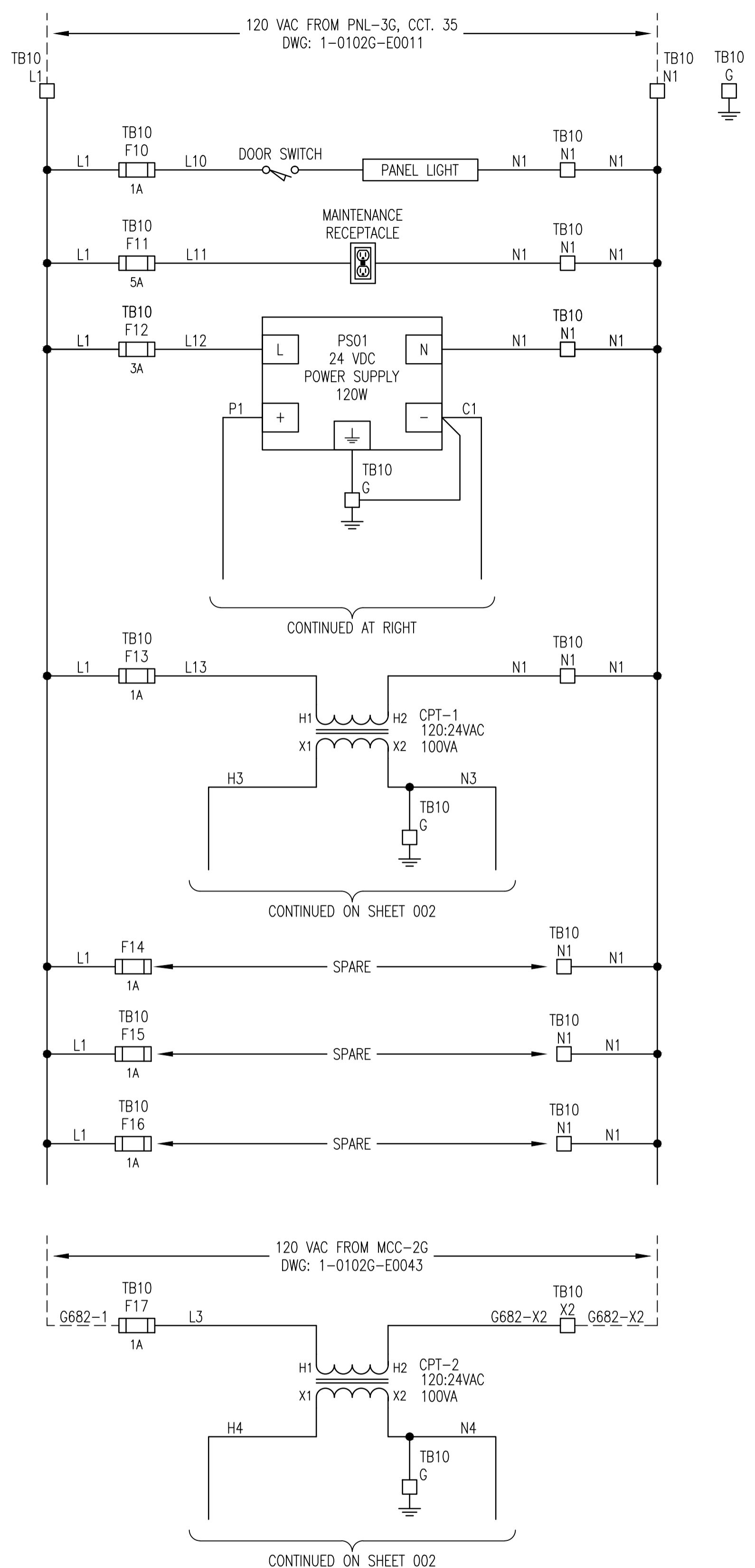


NOTES:
 1. 24VDC POWER SUPPLIES TO BE CAPABLE OF PARALLEL OPERATION.

FUSE SCHEDULE			
TB	IDENTIFIER	SIZE	RATED CURRENT
TB10	F10	5x20mm	1A
	F11	5x20mm	5A
	F12	5x20mm	3A
	F13	5x20mm	1A
	F14	5x20mm	1A
	F15	5x20mm	1A
	F16	5x20mm	1A
TB11	F20	5x20mm	3A
	F21	5x20mm	1A
	F22	5x20mm	1A

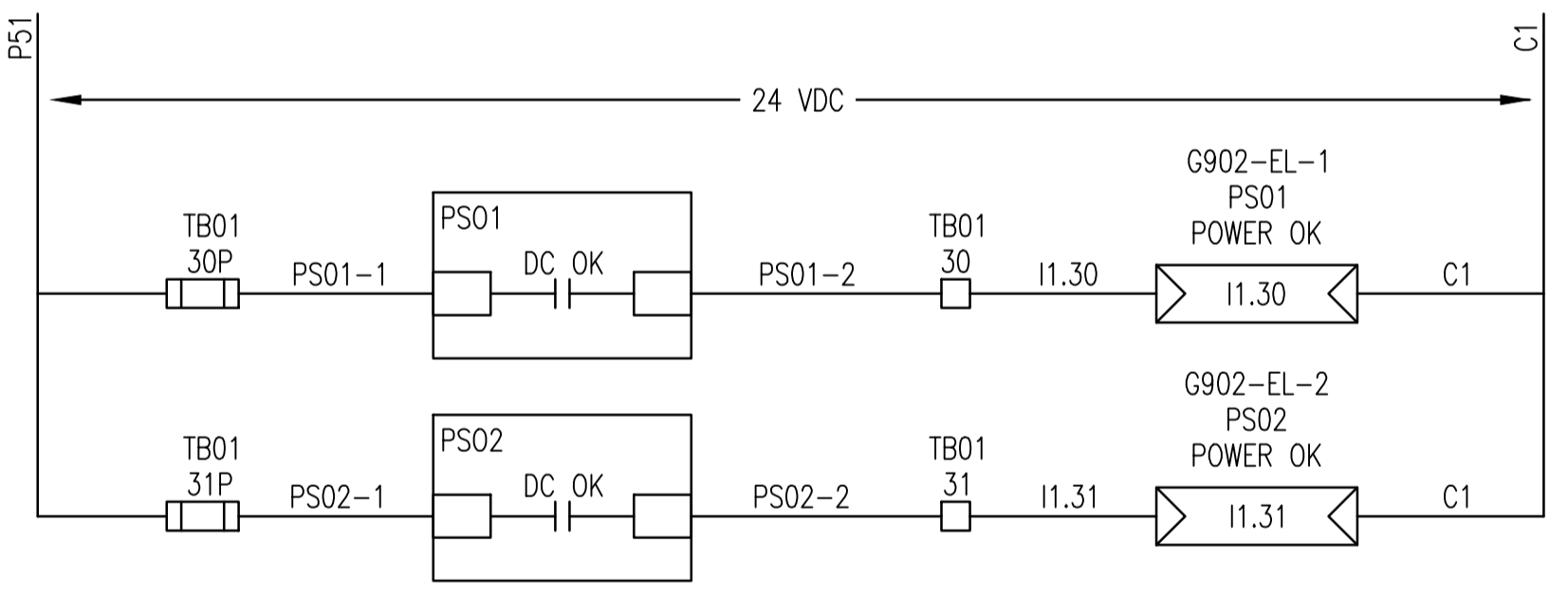
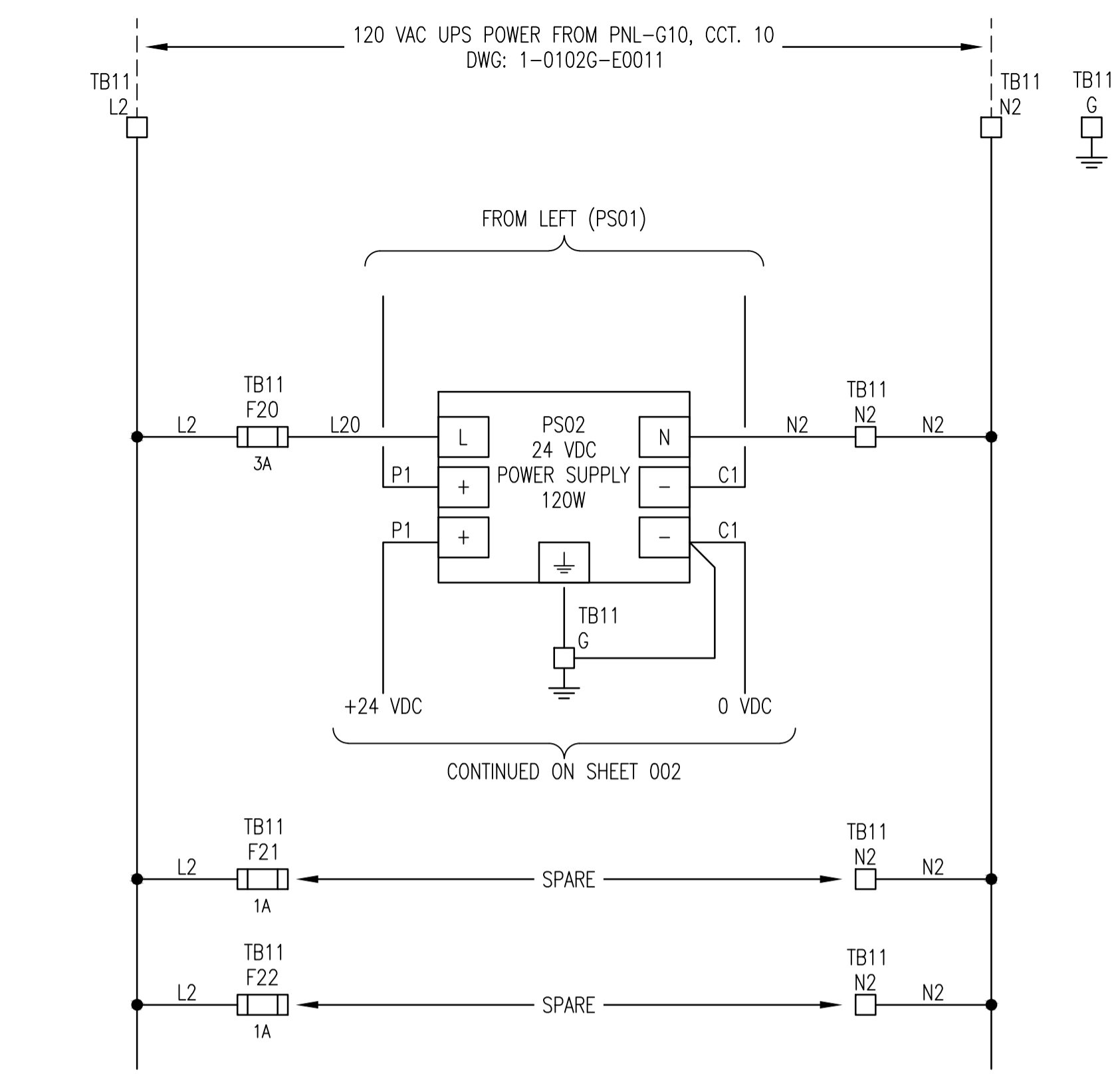


TERMINAL LAYOUT TB10

L1
N1
G
F10
F11
F12
F13
F14
F15
F16
F17
N1
N1
N1
N1
N1
N1
N1
N1
N1
N1
N1

TERMINAL LAYOUT TB11

L2
N2
G
20
F21
F22
N2
N2
N2



SNC-Lavalin Inc. 148 Nature Park Way Winnipeg, MB, Canada R3P 0X7 204-786-8080		ENGINEER'S SEAL	THE CITY OF WINNIPEG WATER AND WASTE DEPARTMENT
DESIGNED BY: T. CHURCH CHECKED BY: C. REIMER DRAWN BY: M.J. PERSSON APPROVED BY: C. REIMER SCALE: NTS RELEASED FOR CONSTRUCTION BY: N. HARRINGTON DATE: 2012/01/31 DATE: 2012/08/31		SOUTH END WATER POLLUTION CONTROL CENTRE VENTILATION & MISC UPGRADES POWER DISTRIBUTION SCHEMATIC LCP-G2	
00 ISSUED FOR TENDER, BID OPP. 545-2012 2012/08/31 TMC CJR CONSULTANT NO.: 112577-0116-4800-0109		CITY DRAWING NUMBER 1-0102G-A0108	SHEET REV. SIZE 001 00 A1