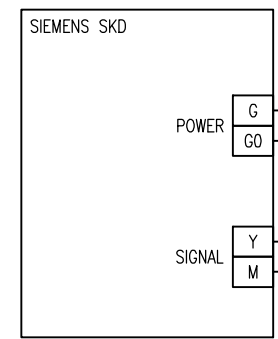
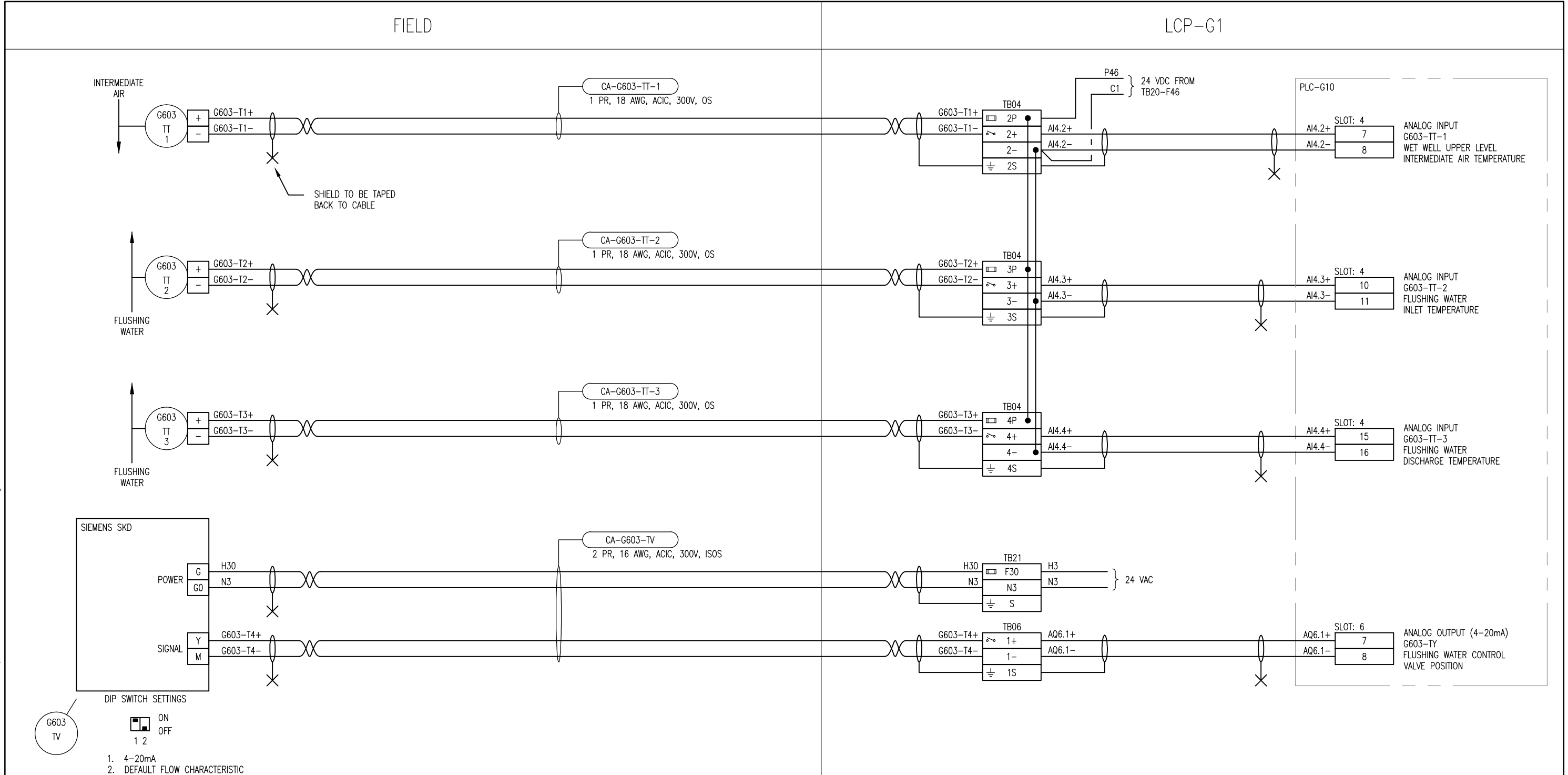


B SIZE - 279mm x 432mm

LAST SAVE: 2012/10/09 - 10:15am
 PATH: M:\112577\0116\4ENG\48&C\DD - General DWG\1-0102G-A0116-001-00.dwg



- DIP SWITCH SETTINGS
- ON
 OFF
 1 2
- 4-20mA
 - DEFAULT FLOW CHARACTERISTIC

NOTES

SNC-Lavalin Inc.
No. 4489

| NO. | REVISIONS | DATE | DESIGN | CHECK |
|-----|--------------------------------------|------------|--------|-------|
| 00 | ISSUED FOR TENDER, BID OPP. 545-2012 | 2012/09/10 | TMC | CJR |

SNC-LAVALIN

SNC-LAVALIN INC.
 148 Nature Park Way
 Winnipeg, MB, Canada R3P 0X7
 204-786-8080

| | |
|--|---------------------------|
| DESIGNED BY: T. CHURCH | CHECKED BY: C. REIMER |
| DRAWN BY: M.J. PERSSON | APPROVED BY: C. REIMER |
| SCALE: NTS | DATE: 2012/01/27 |
| RELEASED FOR CONSTRUCTION | |
| BY: N. HARRINGTON | DATE: 2012/09/10 |
| CONSULTANT NO.: 112577-0116-48DD-0117 | |

ENGINEER'S SEAL

THE CITY OF WINNIPEG
 WATER AND WASTE DEPARTMENT

SOUTH END WATER POLLUTION CONTROL CENTRE
 VENTILATION AND MISC UPGRADES
 LOOP DIAGRAM
 G603-TT-1, G603-TT-2, G603-TT-3, G603-TV
 G601-SF FLUSHING WATER HEAT RECOVERY

| | | | |
|---------------------|-------|------|------|
| CITY DRAWING NUMBER | SHEET | REV. | SIZE |
| 1-0102G-A0116 | 001 | 00 | B |