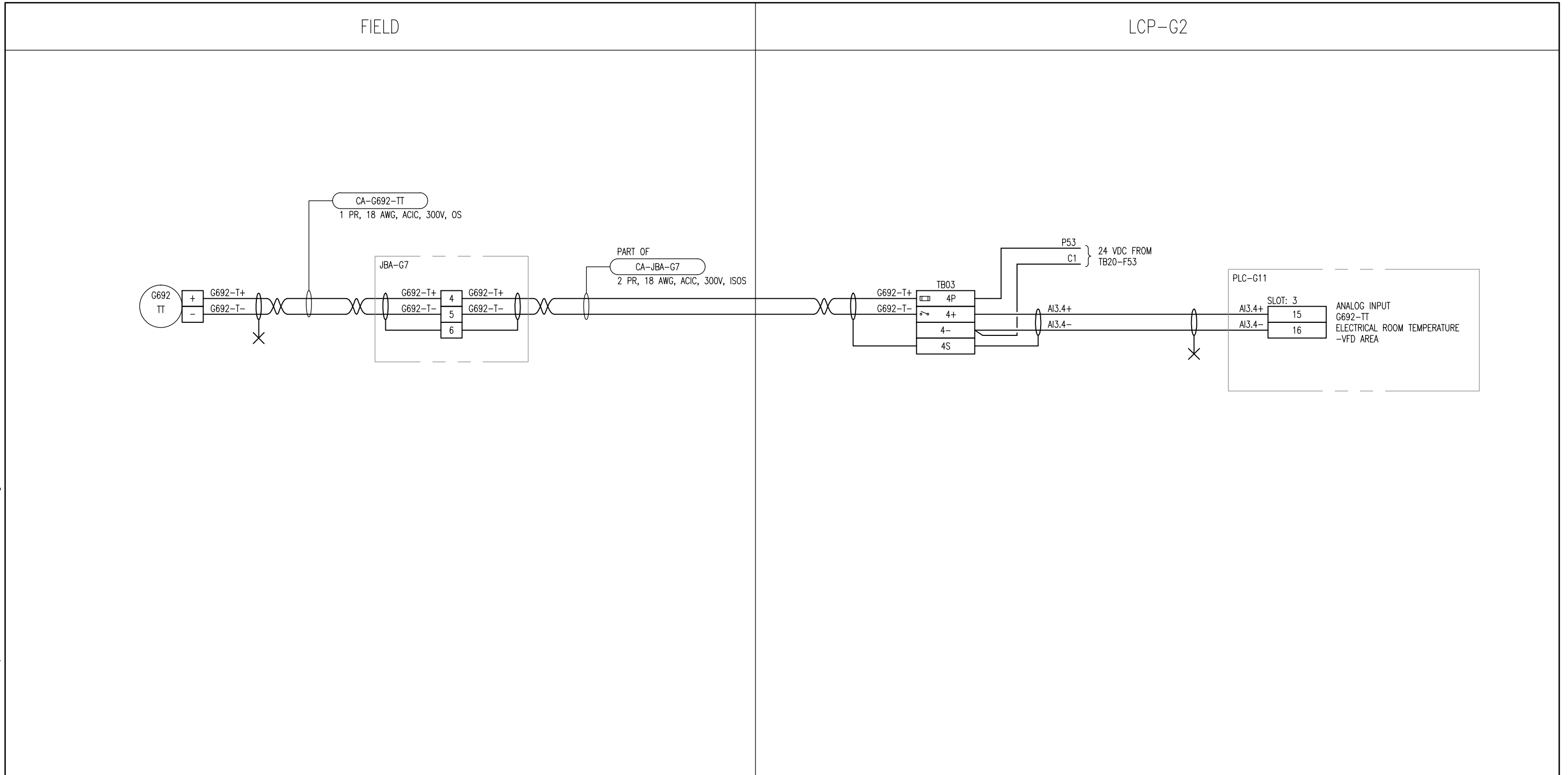


B SIZE - 279mm x 432mm

LAST SAVE: 2012/10/09 - 10:38am
 PATH: M:\112577\0116\4ENG\48&C\DD - General DWG\1-0102G-A0126-001-00.dwg



NOTES

 SNC-Lavalin Inc. No. 4489				
00	ISSUED FOR TEDNER, BID OPP. 545-2012	2012/09/10	TMC	TMC
NO.	REVISIONS	DATE	DESIGN	CHECK

SNC-LAVALIN INC. 148 Nature Park Way Winnipeg, MB, Canada R3P 0X7 204-786-8080				
ENGINEER'S SEAL				

DESIGNED BY: V. ELIMBAN	CHECKED BY: T. CHURCH
DRAWN BY: MJ. PERSSON	APPROVED BY: C. REIMER
SCALE: NTS	DATE: 2012/01/30
RELEASED FOR CONSTRUCTION	
BY: N. HARRINGTON	DATE: 2012/09/10
CONSULTANT NO.: 112577-0116-48DD-0127	

THE CITY OF WINNIPEG WATER AND WASTE DEPARTMENT			
SOUTH END WATER POLLUTION CONTROL CENTRE VENTILATION AND MISC UPGRADES LOOP DIAGRAM G692-TT ELECTRICAL ROOM TEMPERATURE			
CITY DRAWING NUMBER	SHEET	REV.	SIZE
1-0102G-A0126	001	00	B