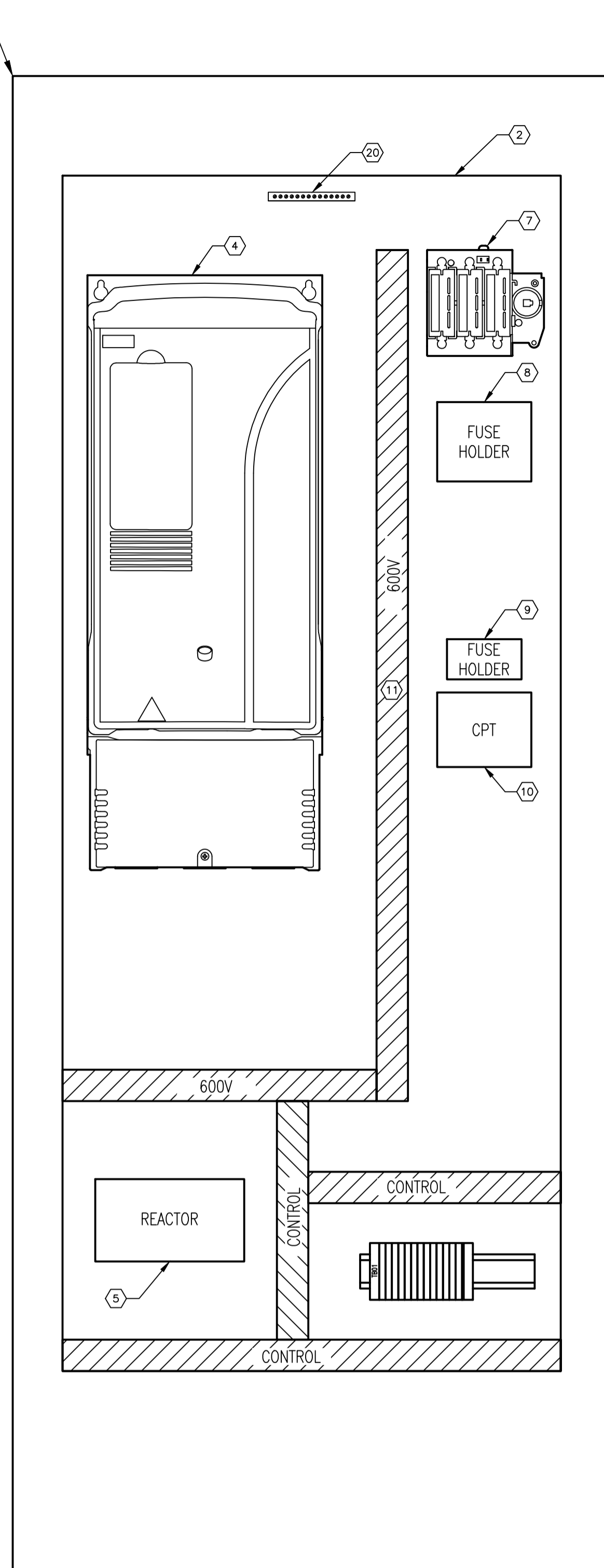
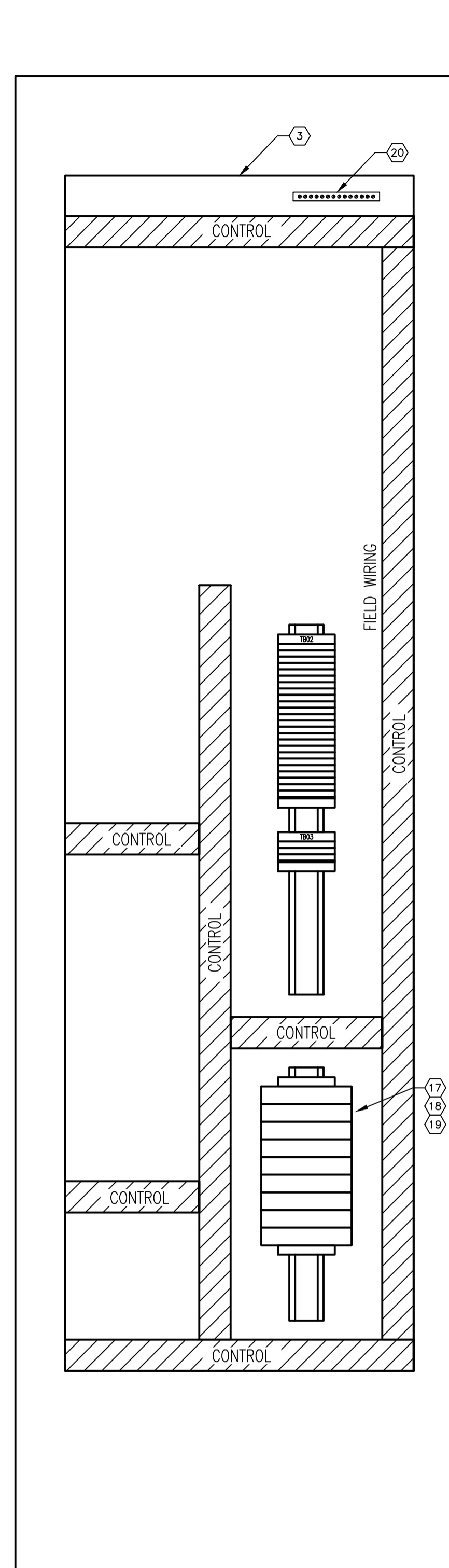


EXTERIOR PANEL VIEW
SCALE: 1 : 4



INTERIOR BACK PANEL VIEW
SCALE: 1 : 4



INTERIOR RIGHT SIDE PANEL VIEW
SCALE: 1 : 4

BILL OF MATERIAL			
ITEM	QTY	DESCRIPTION	CATALOG NUMBER
1	1	ENCLOSURE, FREE STAND, SINGLE DOOR, NEMA 12	HOFFMAN A602418FS
2	1	BACKPAN FOR ITEM 1	HOFFMAN A60P24F1
3	1	SIDE PANEL FOR ITEM 1	HOFFMAN A60SMP14
4	1	VFD, 10 HP	ABB ACS800
5	1	REACTOR, 3%, TERMINAL CONNECTION, 5HP	MTE RL-00803
6	1	DISCONNECT HANDLE AND SHAFT, BLACK	ALLEN BRADLEY 194R
7	1	DISCONNECT, 30A, NON-FUSIBLE	ALLEN BRADLEY 194R-N30-1753
8	1	FUSE HOLDER, 600V, 3-20A CLASS T FUSES	COOPER BUSSMAN T60100-3C
9	1	FUSE HOLDER, 600V, 2-0.6A CLASS CC FUSES	COOPER BUSSMAN BCA6032SQ
10	1	CONTROL POWER TRANSFORMER, 600:120V, 150VA	
11	AS REQ'D	NARROW SLOT WIRING DUCT, 1.26" x 3.12"	PANDUIT
12	AS REQ'D	FEED-THROUGH TERMINAL	PHOENIX CONTACT 3046184
13	AS REQ'D	FUSED TERMINAL	PHOENIX CONTACT 3046142
14	AS REQ'D	FUSE CONNECTOR	PHOENIX CONTACT 3036806
15	AS REQ'D	TERMINAL END PLATE	PHOENIX CONTACT 3047141
16	AS REQ'D	TERMINAL END CLAMP	PHOENIX CONTACT 1201442
17	AS REQ'D	RELAY, PLUG IN DPDT 24 VDC	OMRON G2R-2-SND 24VDC
18	AS REQ'D	RELAY, PLUG IN DPDT 120 VAC	OMRON G2R-2-SN 120VAC
19	AS REQ'D	RELAY SOCKET, SCREW TERMINALS	OMRON P2RF-08-E
20	2	GROUND BAR, 14 TAPS	ILSCO -
21	AS REQ'D	LAMACOID, WHITE BACKGROUND, BLACK TEXT	-
22	1	SWITCH, 3 POSITION, MAINTAINED	ALLEN BRADLEY 800T
23	1	PILOT LIGHT, LED, RED	ALLEN BRADLEY 800T
24	1	FILTERED SUPPLY FAN	HOFFMAN SF09
25	1	EXHAUST GRILLE	HOFFMAN SG09

NOTES:

- WHERE MANUFACTURER AND MODEL ARE SPECIFIED, SUBSTITUTIONS MUST BE APPROVED.
- ALL POWER WIRING TO BE TEW/MTW 600V, 105°C INSULATION, STRANDED COPPER, 12 AWG OR LARGER WHERE CURRENT REQUIREMENTS DICTATE AS PER CEC REQUIREMENTS.
- ALL CONTROL WIRING TO BE TEW/MTW 300V, 105°C INSULATION, STRANDED COPPER, 16 AWG.
- ALL ANALOG WIRING TO BE 18 AWG SHIELDED TWISTED PAIR, WITH INSULATION RATED AT 300V.
- EXTERNAL COMPONENTS ARE TO BE LABELED AS SHOWN ON THE DRAWINGS.
- ALL FUSES ARE TO BE PROVIDED. IN ADDITION, TWO SPARES OF EACH FUSE SIZE ARE TO BE PROVIDED.
- TEST ALL WIRING AND COMPONENTS FOR FUNCTIONAL OPERATION, CORRECT CONNECTION, CONTINUITY AND INSULATION INTEGRITY. THREE COPIES OF CERTIFIED TEST DOCUMENTATION ARE TO BE PROVIDED.
- ALL MAJOR COMPONENTS INSIDE THE PANEL ARE TO BE LABELED WITH LAMACOIDS IN ACCORDANCE WITH MAJOR DESCRIPTIONS ON THE DRAWINGS.
- PROVIDE WIRE BARREL FERULES FOR ALL WIRING.
- ALL TERMINAL BLOCKS SHALL BE NUMBERED AS SHOWN IN THE DRAWINGS, COMPLETE WITH GROUP LABELING.
- ALL WIRES SHALL BE MARKED AS INDICATED ON THE DRAWINGS.
- ROUTE ALL CONTROL WIRING SEPARATE FROM 600VAC WIRING.
- CLEARLY LABEL DEVICE IDENTIFIERS ON THE DOOR INTERIOR USING LAMACOIDS.
- DOOR CLAMP BLOCKS TO BE REMOVED.



NO.	REVISIONS	DATE	DESIGN	CHECK
00	ISSUED FOR TENDER, BID OPP. 545-2012	2012/09/10	TMC	CJR

SNC-LAVALIN INC.
148 Nature Park Way
Winnipeg, MB, Canada R3P 0X7
204-786-8080

DESIGNED BY: T. CHURCH
DRAWN BY: M.J. PERSSON
SCALE: 1:4
DATE: 2012/05/11

CHECKED BY: C. REIMER
APPROVED BY: C. REIMER
RELEASED FOR CONSTRUCTION BY: N. HARRINGTON
DATE: 2012/09/10

CONSULTANT NO.: 112577-0116-47DD-0012

ENGINEER'S SEAL

THE CITY OF WINNIPEG
WATER AND WASTE DEPARTMENT

SOUTH END WATER POLLUTION CONTROL CENTRE
VENTILATION & MISC. UPGRADES
PANEL LAYOUT
VFD-G602

CITY DRAWING NUMBER: 1-0102G-E0047
SHEET: 001
REV: 00
SIZE: A1