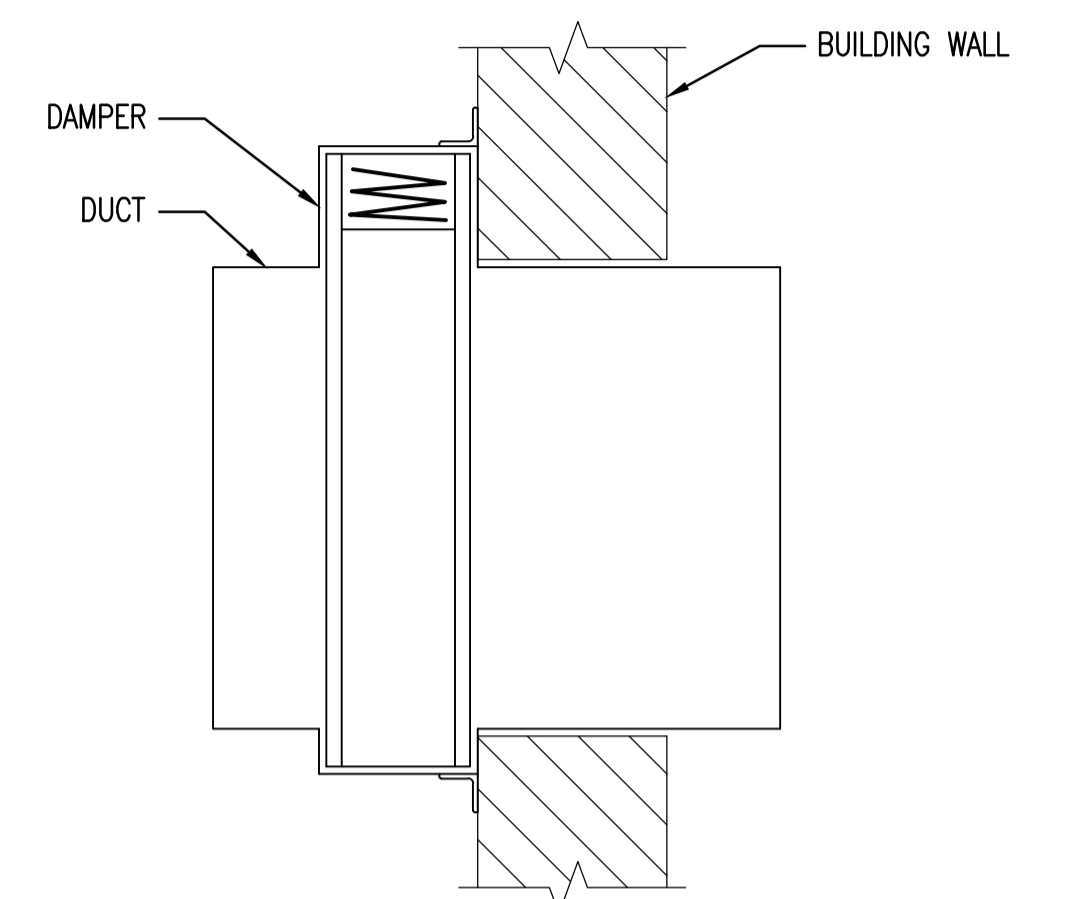
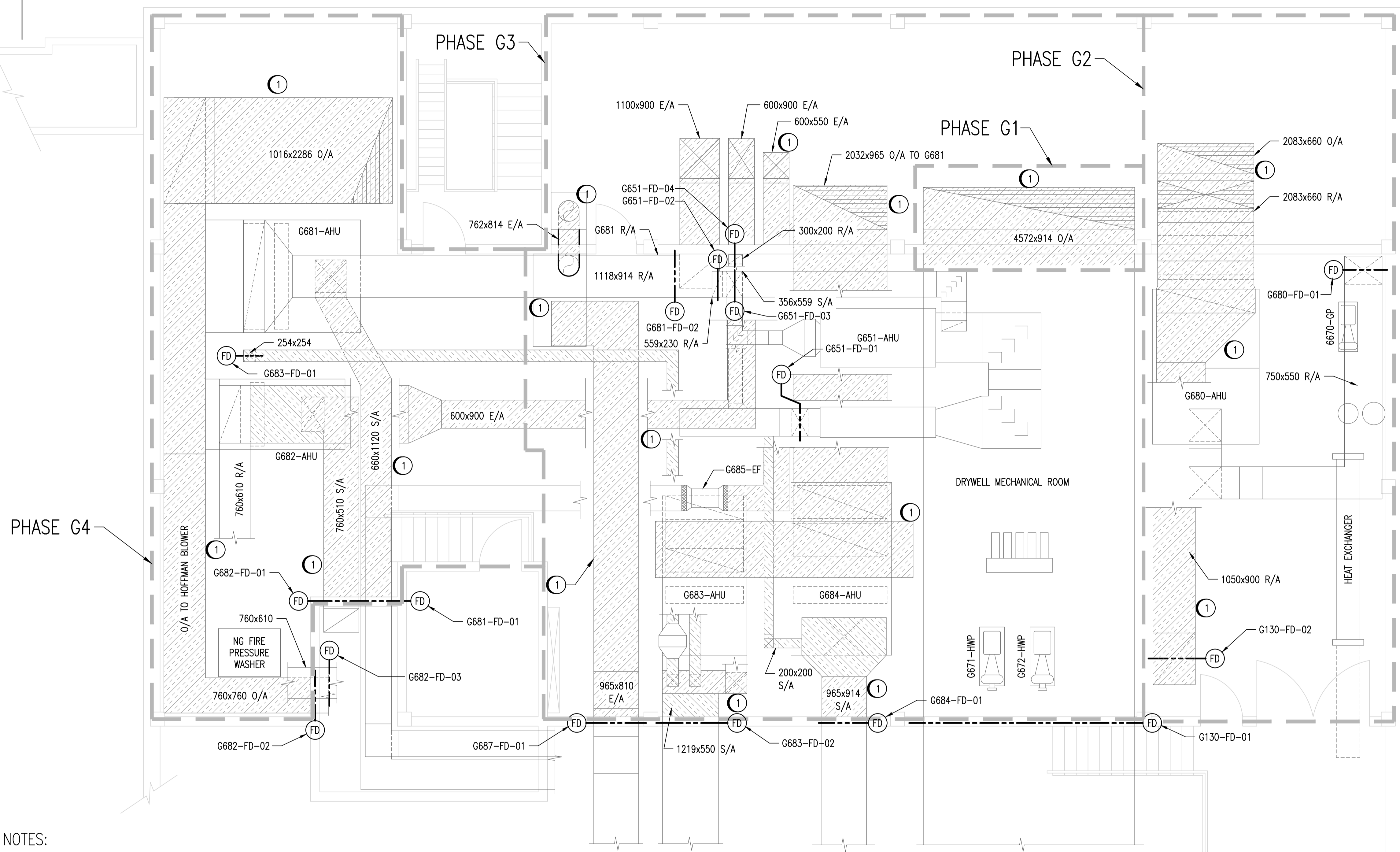


KEYPLAN



1 - VERTICAL FIRE DAMPER DETAIL (TYP.)  
SCALE: NONE

LEGEND

- DUCTWORK WHERE ASBESTOS CONTAINING MATERIALS ARE SUSPECT
- ENCLOSURE AREA EXTENTS FOR EACH SPECIFIC WORK PHASE IDENTIFIED IN THE ASBESTOS ABATEMENT WORK PLAN

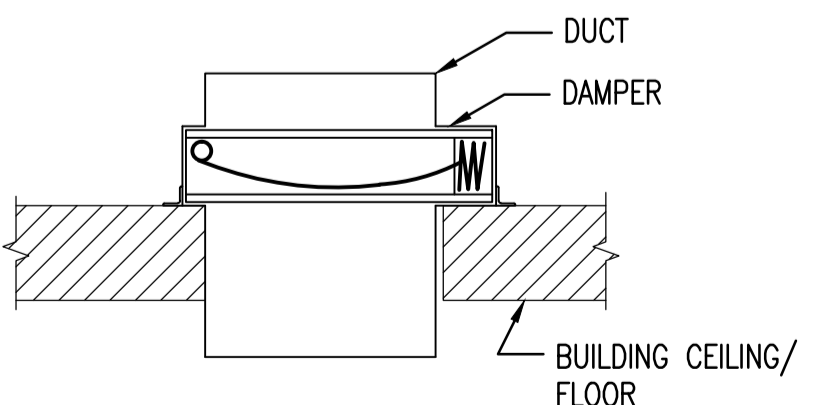
FIRE DAMPER SCHEDULE

TAG	DUCT SIZE (MM)	ORIENTATION	
G130-FD-01	4572X914	VERTICAL*	NEW
G130-FD-02	914X1118	HORIZONTAL	EXISTING
G651-FD-01	610X356	HORIZONTAL	NEW
G651-FD-02	559X230	HORIZONTAL	EXISTING
G651-FD-03	356X559	HORIZONTAL	EXISTING
G651-FD-04	300X200	HORIZONTAL	EXISTING
G680-FD-01	610X813	HORIZONTAL	EXISTING
G681-FD-01	660X1120	VERTICAL	NEW
G681-FD-02	914X1118	HORIZONTAL*	NEW
G682-FD-01	760X510	VERTICAL	NEW
G682-FD-02	760X760	VERTICAL	NEW
G682-FD-03	760X610	VERTICAL	NEW
G683-FD-01	254X254	HORIZONTAL	NEW
G683-FD-02	1219X550	VERTICAL	NEW
G684-FD-01	965X914	VERTICAL	NEW
G687-FD-01	965X810	VERTICAL	NEW

\* MAXIMUM FIRE DAMPER SIZE IS 914X914. MULTIPLE DAMPERS ARE REQUIRED.

- NOTES:
- ① CONFIRMED AND SUSPECTED ASBESTOS CONTAINING MATERIALS ON DUCTWORK INSULATION ARE TO BE REMOVED. REFER TO ASBESTOS ABATEMENT SPECIFICATIONS FOR ABATEMENT PROCEDURES. RE-INSULATE DUCTWORK.

- GENERAL NOTES:
1. CONTRACTOR SHALL SUPPLY AND INSTALL FIRE DAMPERS IN LOCATIONS SHOWN ON DRAWINGS WHERE DUCTING PENETRATES A FIRE SEPARATION. CONTRACTOR IS TO VERIFY DIMENSIONS PRIOR TO ORDERING FIRE DAMPERS.
  2. FIRE DAMPERS SHALL BE INSTALLED IN ACCORDANCE WITH SMACNA STANDARDS, NATIONAL FIRE CODE AND THE NATIONAL BUILDING CODE.
  3. REFER TO DRAWING 1-0102G-M0007 FOR FIRE DAMPER INSTALLATION DETAILS.
  4. ACCESS DOORS SHALL BE PROVIDED FOR ALL FIRE DAMPERS IN ACCORDANCE WITH SMACNA AND THE NATIONAL FIRE CODE.
  5. INSPECT EXISTING FIRE DAMPERS AND NOTIFY THE CONTRACT ADMINISTRATOR OF ANY DAMAGED OR DEFICIENT ITEMS.
  6. ASBESTOS CONTAINING MATERIALS ARE SUSPECT ON PIPE ELBOW AND DUCTWORK INSULATION AND TO BE REMOVED. REFER TO ASBESTOS ABATEMENT SPECIFICATION FOR ABATEMENT PROCEDURES.



2 - HORIZ. FIRE DAMPER DETAIL (TYP.)  
SCALE: NONE

**APECM**  
Certificate of Authorization  
SNC-Lavalin Inc.  
No. 4489

NO.	REVISIONS	DATE	DESIGN	CHECK
00	ISSUED FOR TENDER, BID OPP. 545-2012	2012/09/10	TRS	SN

**SNC-LAVALIN**  
SNC-LAVALIN INC.  
148 Nature Park Way  
Winnipeg, MB, Canada R3P 0X7  
204-786-8080

DESIGNED BY: S. NORSWORTHY  
DRAWN BY: K. MOHAMMED  
SCALE: 1 : 50  
DATE: 2012/10/10

CHECKED BY: S. NORSWORTHY  
APPROVED BY: C. REIMER  
RELEASED FOR CONSTRUCTION BY: NEIL HARRINGTON  
DATE: 2012/10/10

CONSULTANT NO.: 112577-0116-45DD-0107

ENGINEER'S SEAL  
ORIGINAL DRAWING SEALED BY:  
S. S. NORSWORTHY  
SNC-LAVALIN  
MEMBER #20725  
2012/10/11  
REV. 00

**THE CITY OF WINNIPEG**  
WATER AND WASTE DEPARTMENT

SOUTH END WATER POLLUTION CONTROL CENTRE  
VENTILATION & MISC. UPGRADES  
PLAN VIEW  
FIRE DAMPER UPGRADES  
DRYWELL MECHANICAL ROOM

CITY DRAWING NUMBER: 1-0102G-M0007  
SHEET: 001  
REV: 00  
SIZE: A1