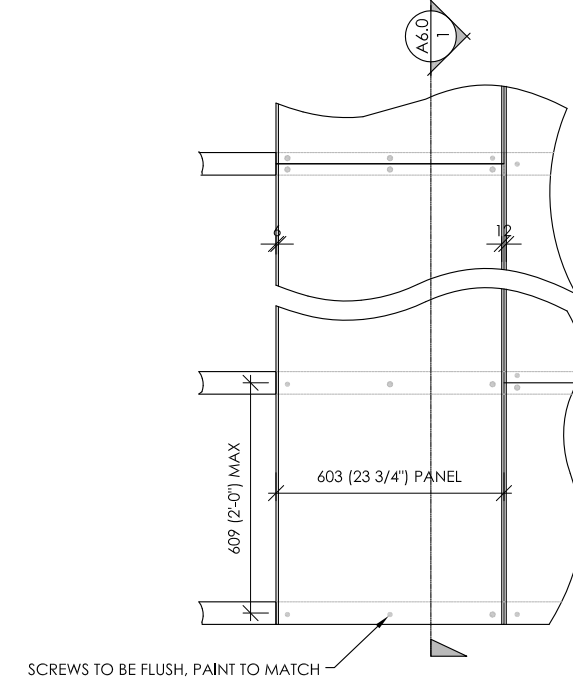
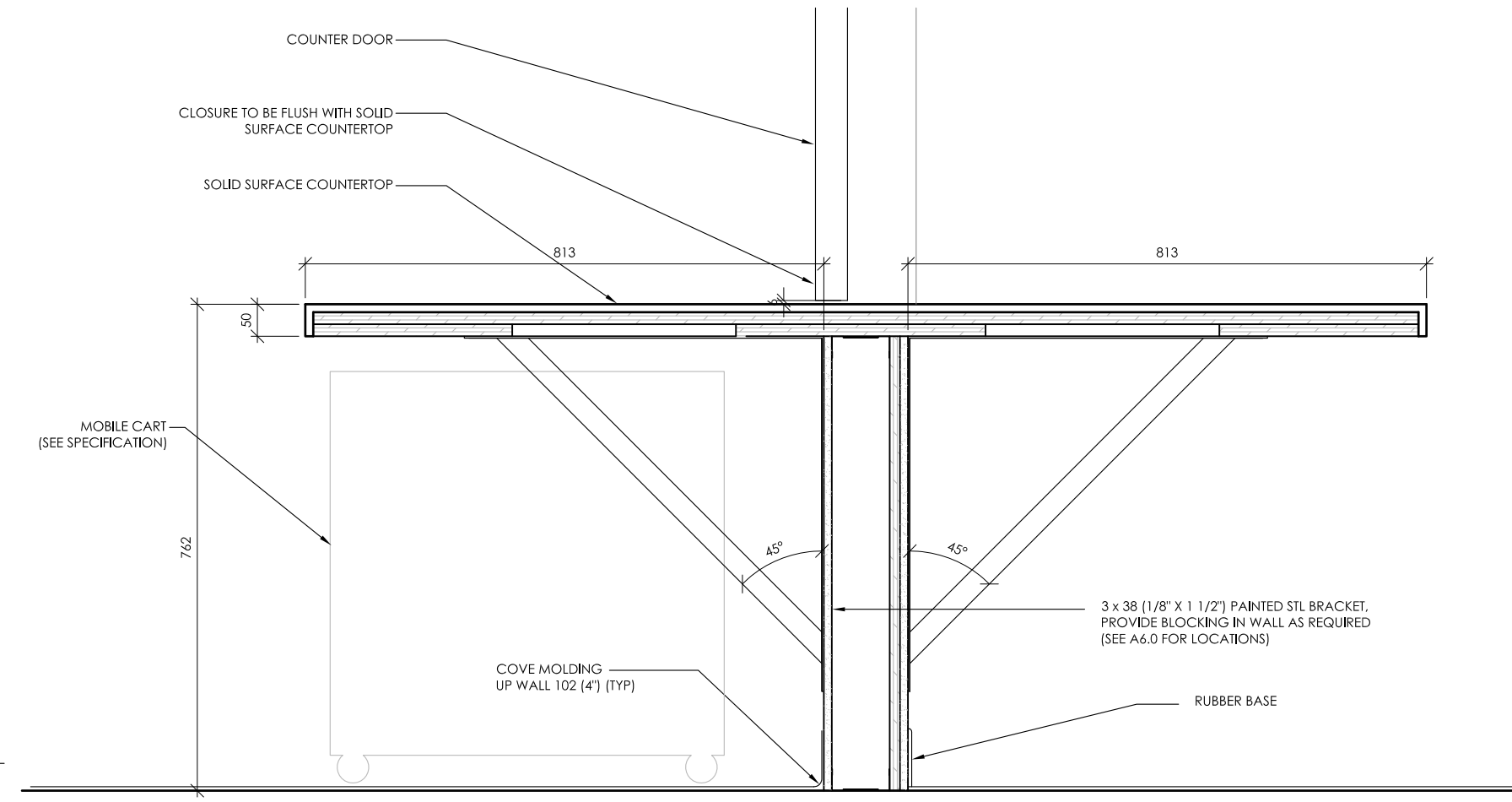


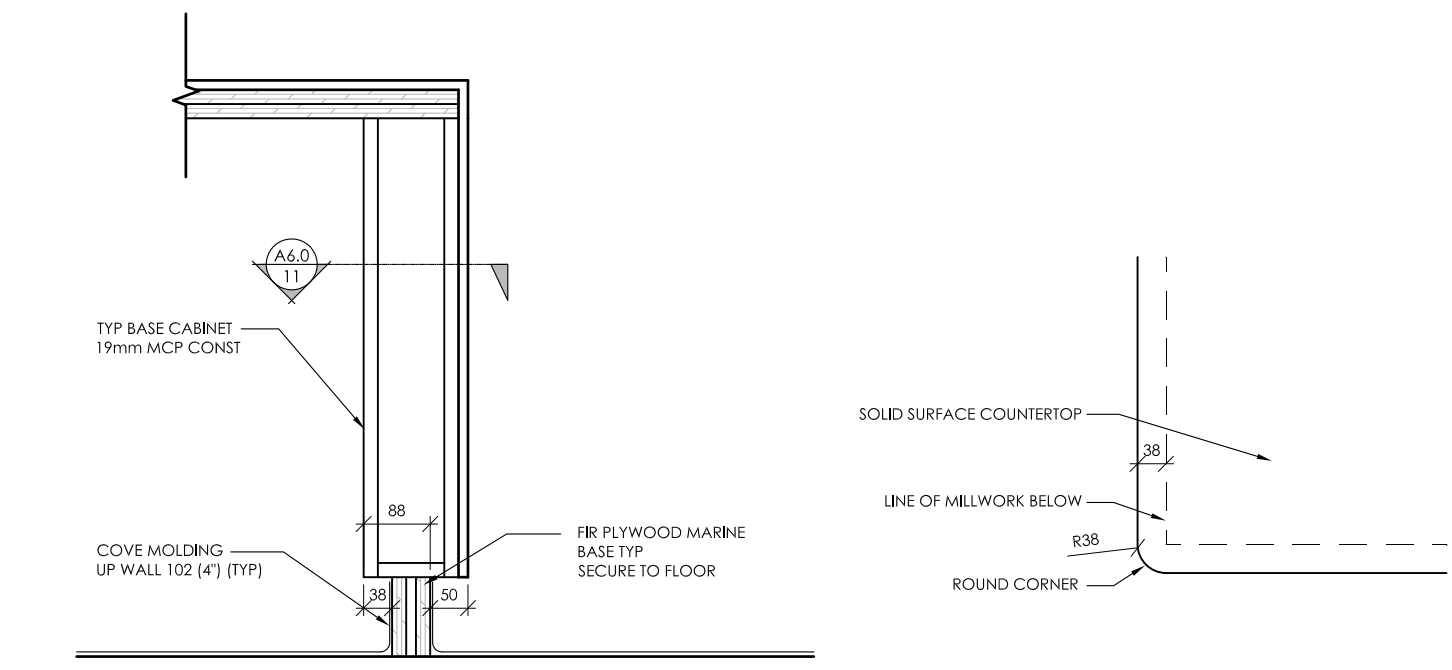
**1 SUSPENDED ACOUSTIC CEILING**  
1:10



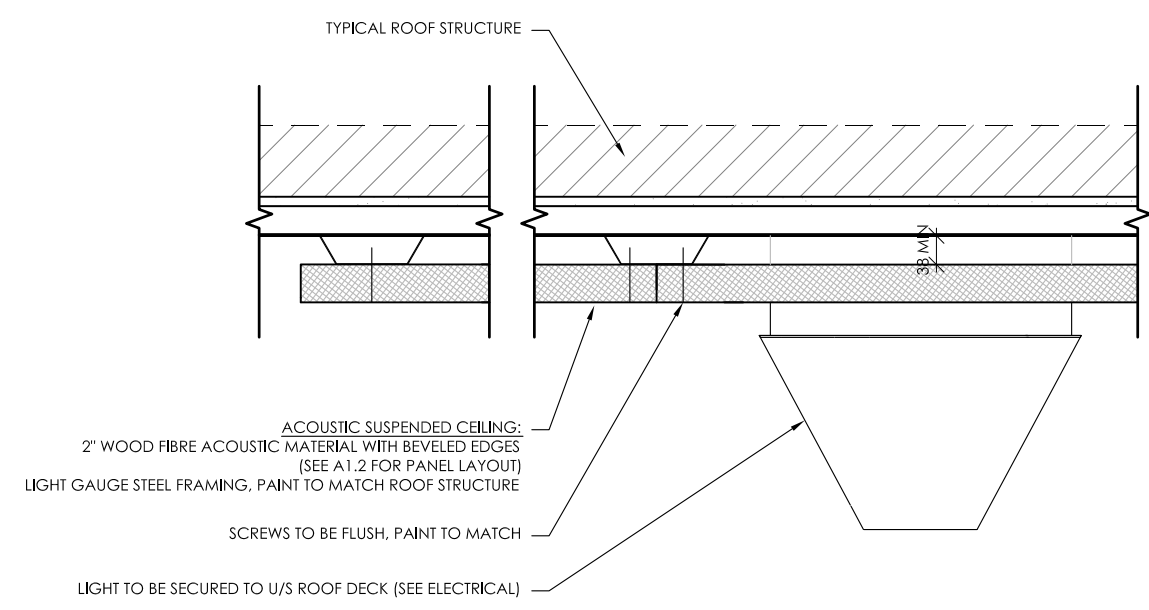
**2 SUSPENDED ACOUSTIC CEILING PLAN**  
1:20



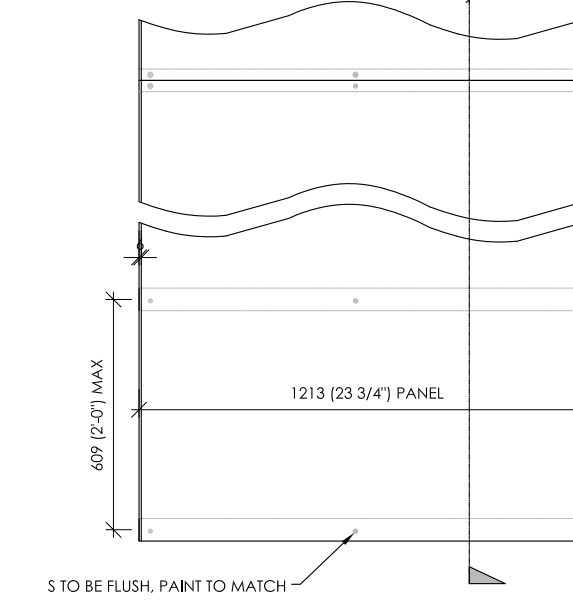
**9 WORKSTATION AT SERVER WINDOW**  
1:10



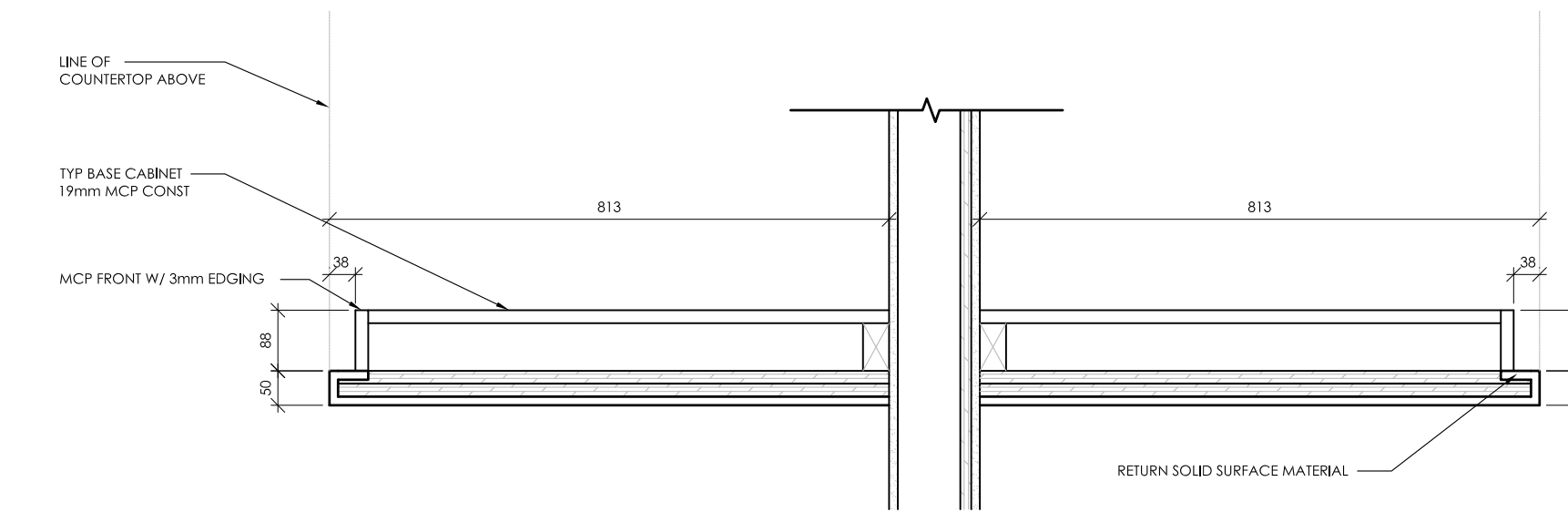
**10 WORKSTATION GABLE** **15 TYP ROUNDED CORNER**  
1:10



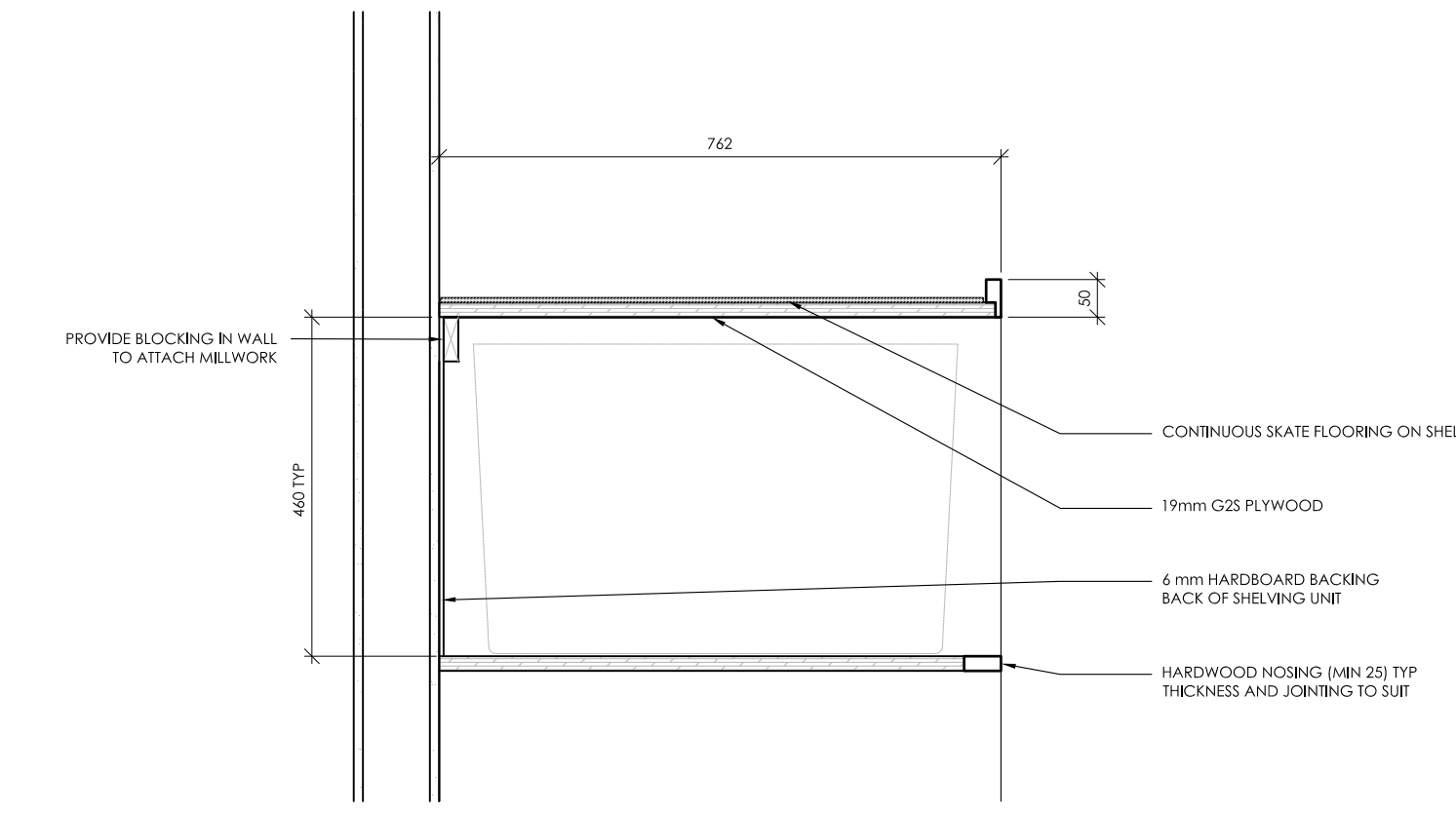
**3 DIRECT-ATTACHED ACOUSTIC PANELS**  
1:10



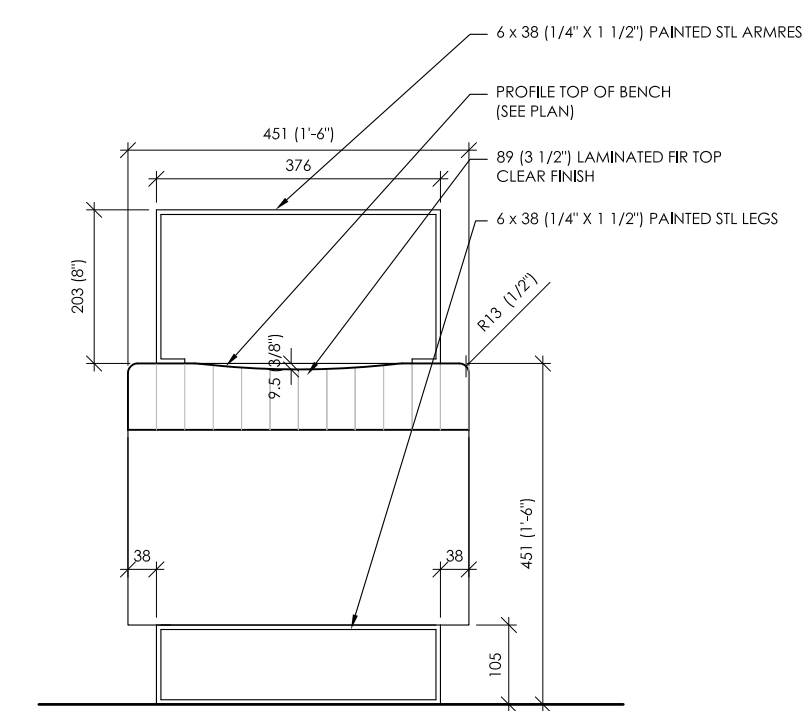
**4 ACOUSTIC PANELS CEILING PLAN**  
1:20



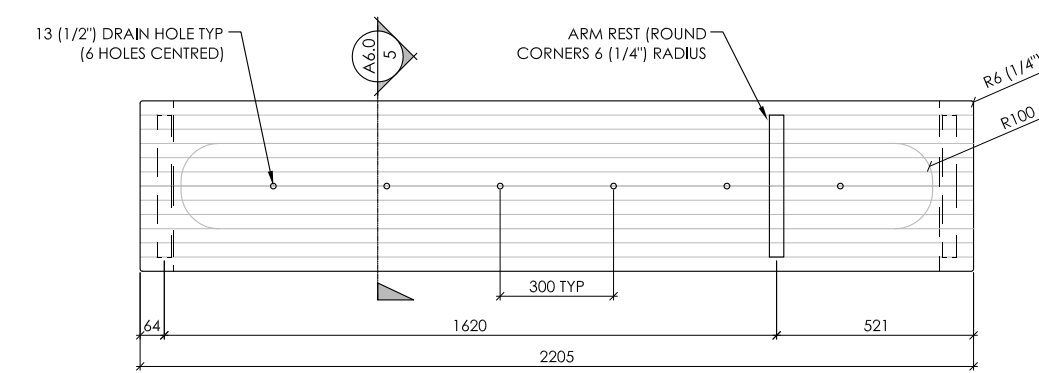
**11 WORKSTATION GABLE PLAN**  
1:10



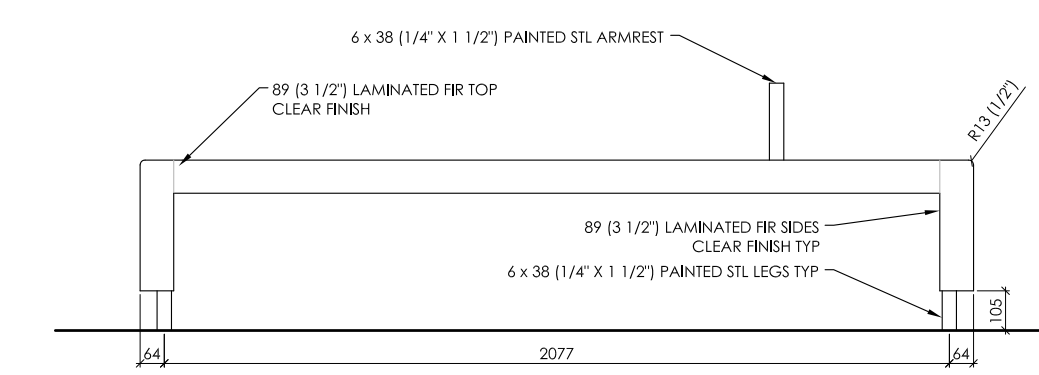
**12 STORAGE ROOM UPPER MILLWORK**  
1:10



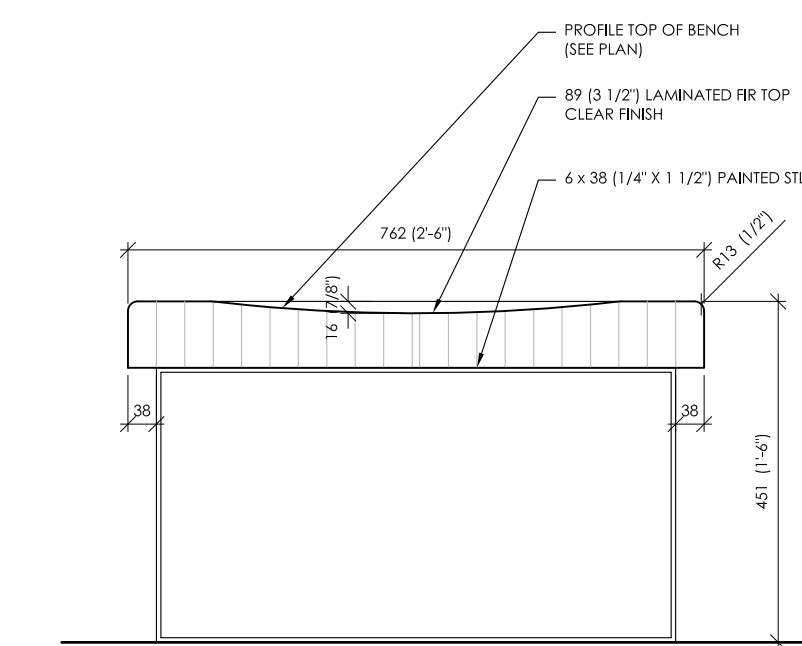
**5 SKATE-CHANGE BENCH**  
1:10



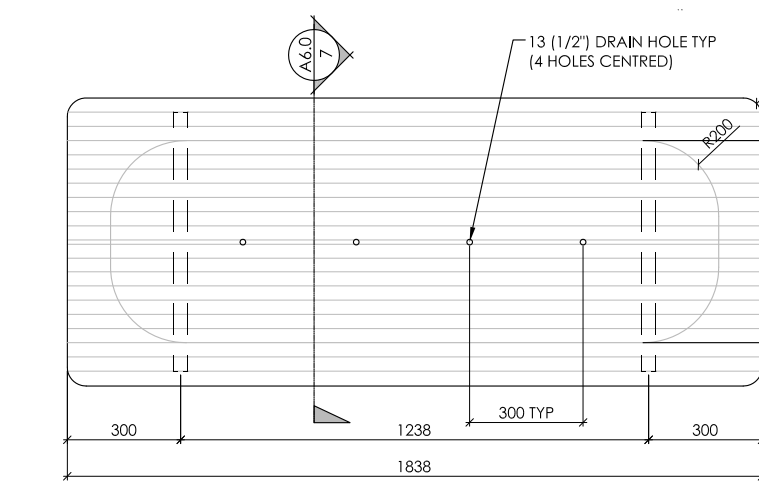
**6 SKATE-CHANGE BENCH PLAN**  
1:20



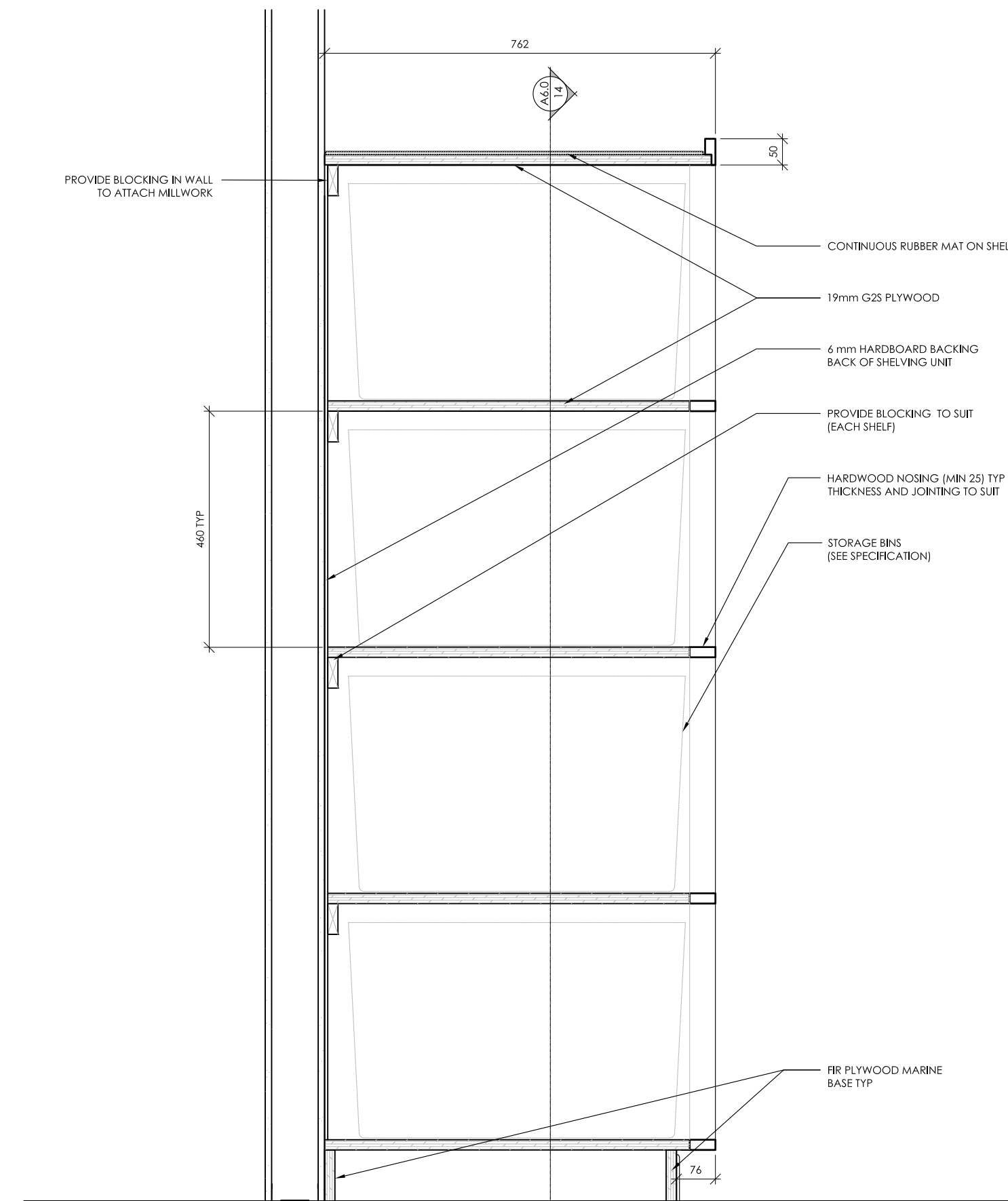
**15 SKATE-CHANGE BENCH ELEVATION**  
1:20



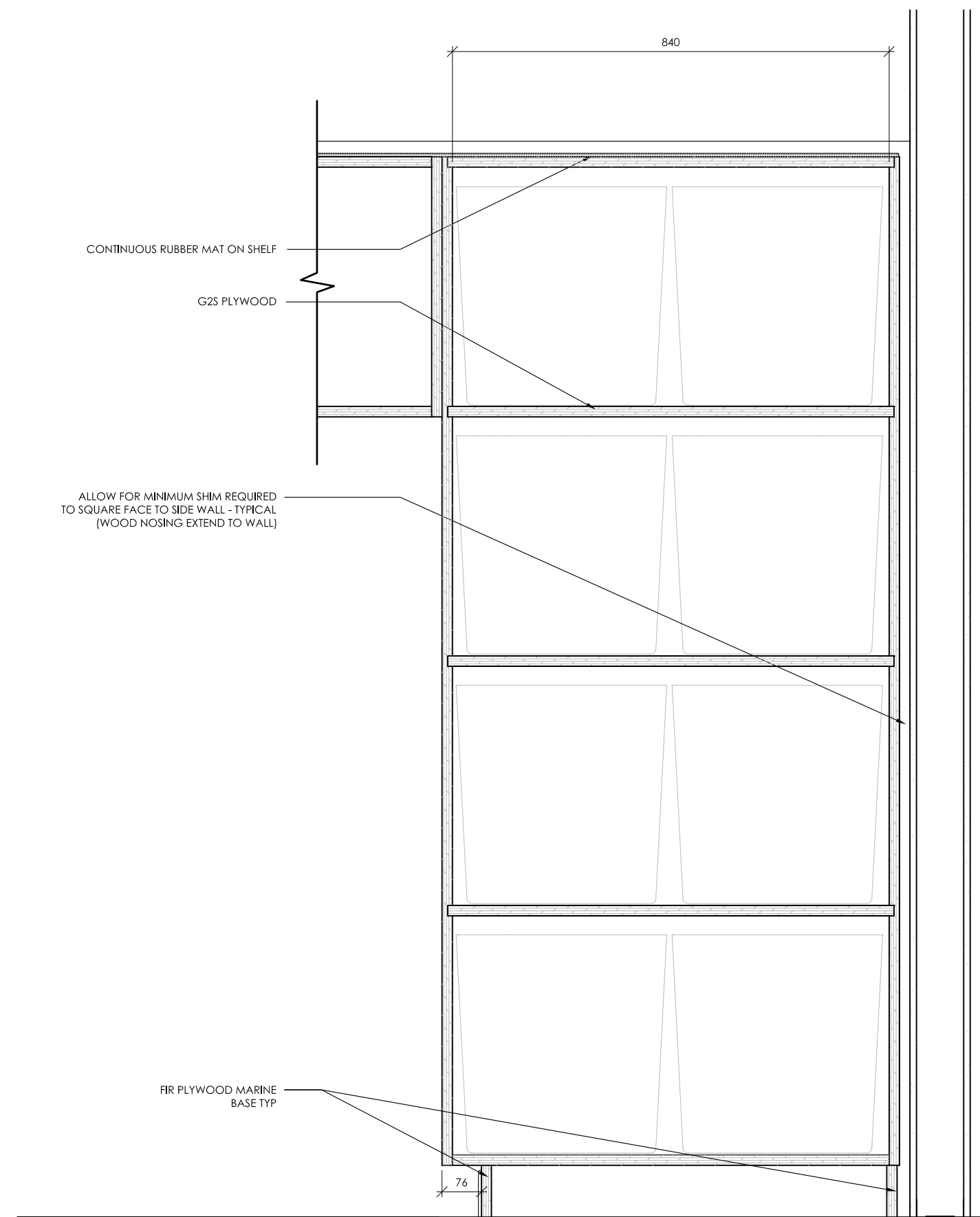
**7 UTR BENCH**  
1:10



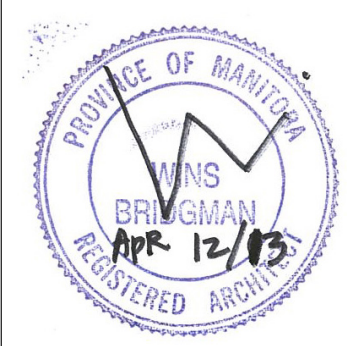
**8 UTR BENCH PLAN**  
1:20



**13 STORAGE ROOM MILLWORK**  
1:10



**14 STORAGE ROOM MILLWORK SECTION**  
1:10



**Project:**  
MAYFAIR  
RECREATION  
CENTRE

Project Number: 2011-112  
Bid Opportunity Number: 556-2012

**Drawing Title:**  
MISC INTERIOR  
DETAILS

| # | Issue/Revision     | Date        |
|---|--------------------|-------------|
| 1 | 66% REVIEW         | AUG 16 2012 |
| 2 | 66% REISSUE REVIEW | NOV 28 2012 |
| 3 | 99% REVIEW         | MAR 6 2013  |
| 4 | ISSUED FOR TENDER  | APR 12 2013 |

Sheet No: **A6.0**

This drawing is property of the Architect and cannot be reproduced or used without the consent of the Architect. The Architect is responsible for checking and verifying all notes and dimensions and providing a report of discrepancies to the Architect and issuing clarification prior to commencing work.