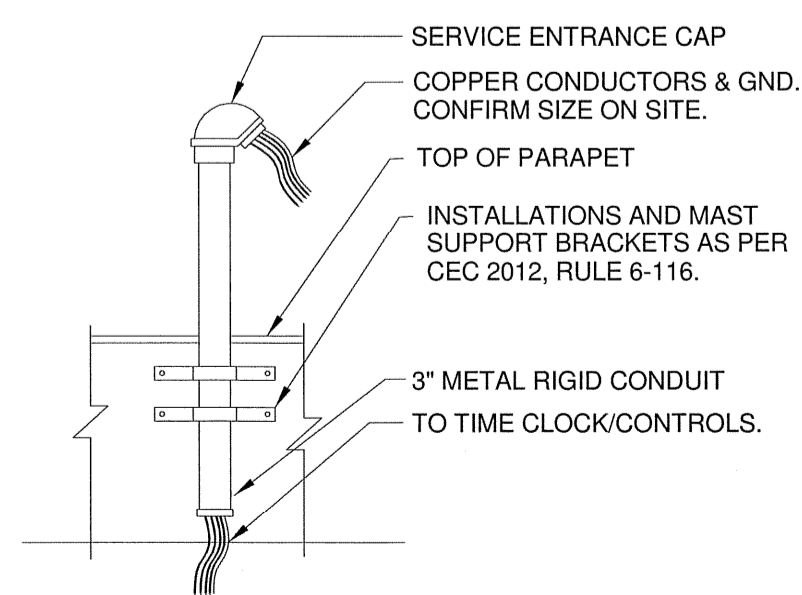




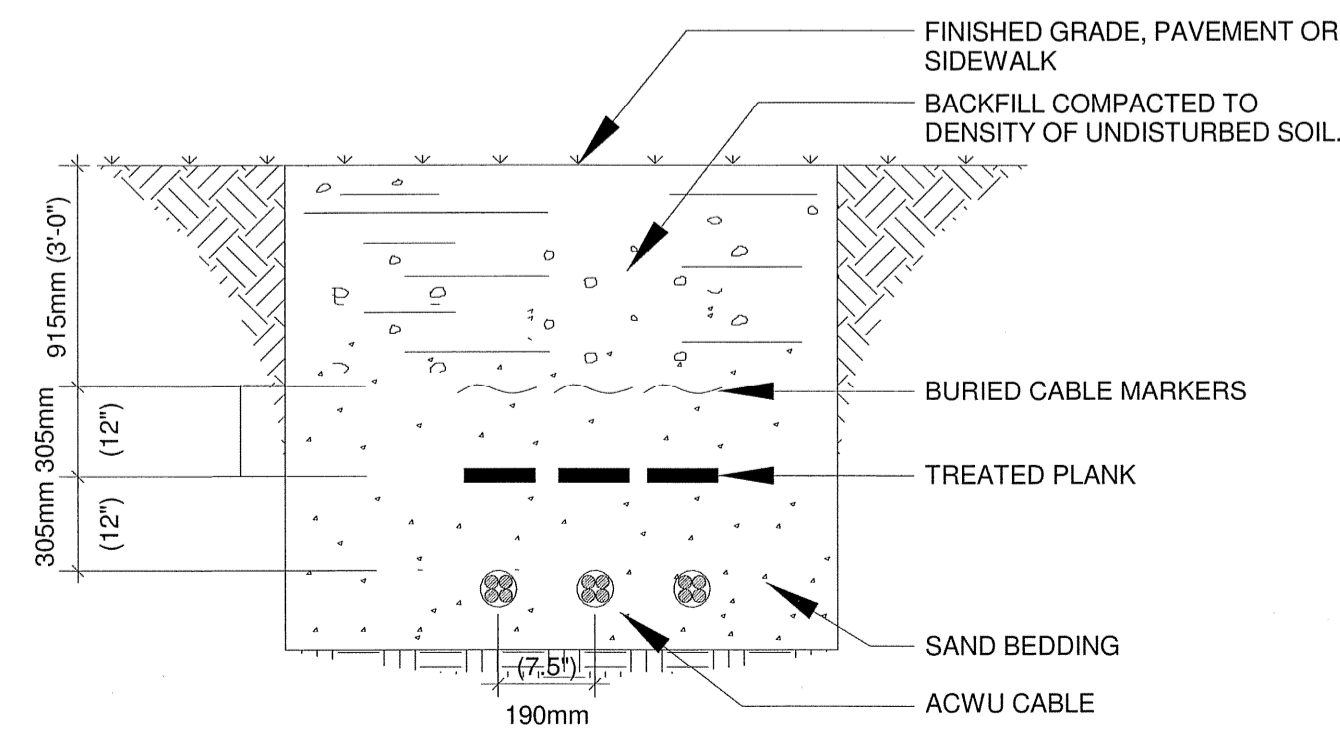
LEGEND

	LOW BAY / INCANDESCENT LUMINAIRE
	POT LIGHT / IN-GROUND LUMINAIRE
	FLUORESCENT LUMINAIRE
	LIGHT FIXTURE ON NIGHT LIGHT CIRCUIT
	SINGLE POLE SWITCH
	MOTION SENSOR SWITCH (WALL MOUNTED)
	MOTION SENSOR SWITCH (CEILING MOUNTED)
	DUPLEX RECEPTACLE
	DUPLEX RECEPTACLE - GROUND FAULT CIRCUIT INTERRUPTER
	DUPLEX RECEPTACLE - ABOVE COUNTER
	FOURPLEX RECEPTACLE
	240V RECEPTACLE
	JUNCTION BOX
	HAND DRYER
	ELECTRICAL PANEL
	MOTOR AND DISCONNECT
	DIRECT CONNECT
	HANDI-CAP SECURITY PUSH BUTTON
	CABLE TV OUTLET
	TELEPHONE OUTLET
	DATA OUTLET
	VOICE/DATA OUTLET
	INTERCOM OUTLET
	WiFi
	EMERGENCY LIGHT REMOTE HEADS (2)
	EMERGENCY BATTERY BANK UNIT C/W 2 HEADS
	EXIT SIGN (ARROWS AS INDICATED, SINGLE SIDED/DOUBLE SIDED)
	CO DETECTOR
	SMOKE DETECTOR (ADDRESSABLE)
	HEAT DETECTOR (COMBINATION)
	SPRINKLER FLOW SWITCH
	SPRINKLER TAMPER PROOF VALVE
	MANUAL PULL STATION
	MAGNETIC DOOR HOLD-OPEN
	30cd FIRE ALARM SIGNAL STROBE (WALL AND CEILING MOUNTED) - MINIMUM CANELLA'S AS INDICATED
	30cd FIRE ALARM SIGNAL HORN & STROBE (WALL AND CEILING MOUNTED) - MINIMUM CANELLA'S AS INDICATED
	SECURITY KEYPAD
	ELECTRIC STRIKE
	DOOR CONTACT (FLUSH IN FRAME)
	CARD ACCESS READER (PROXIMITY)
	REQUEST TO EXIT MOTION SENSOR
	REQUEST TO EXIT PUSH BUTTON
	MOTION DETECTOR
	CCTV CAMERA
	SECURITY SYSTEM SPEAKER
	NURSE CALL SYSTEM PULL STATION
	NURSE CALL SYSTEM DOME LIGHT

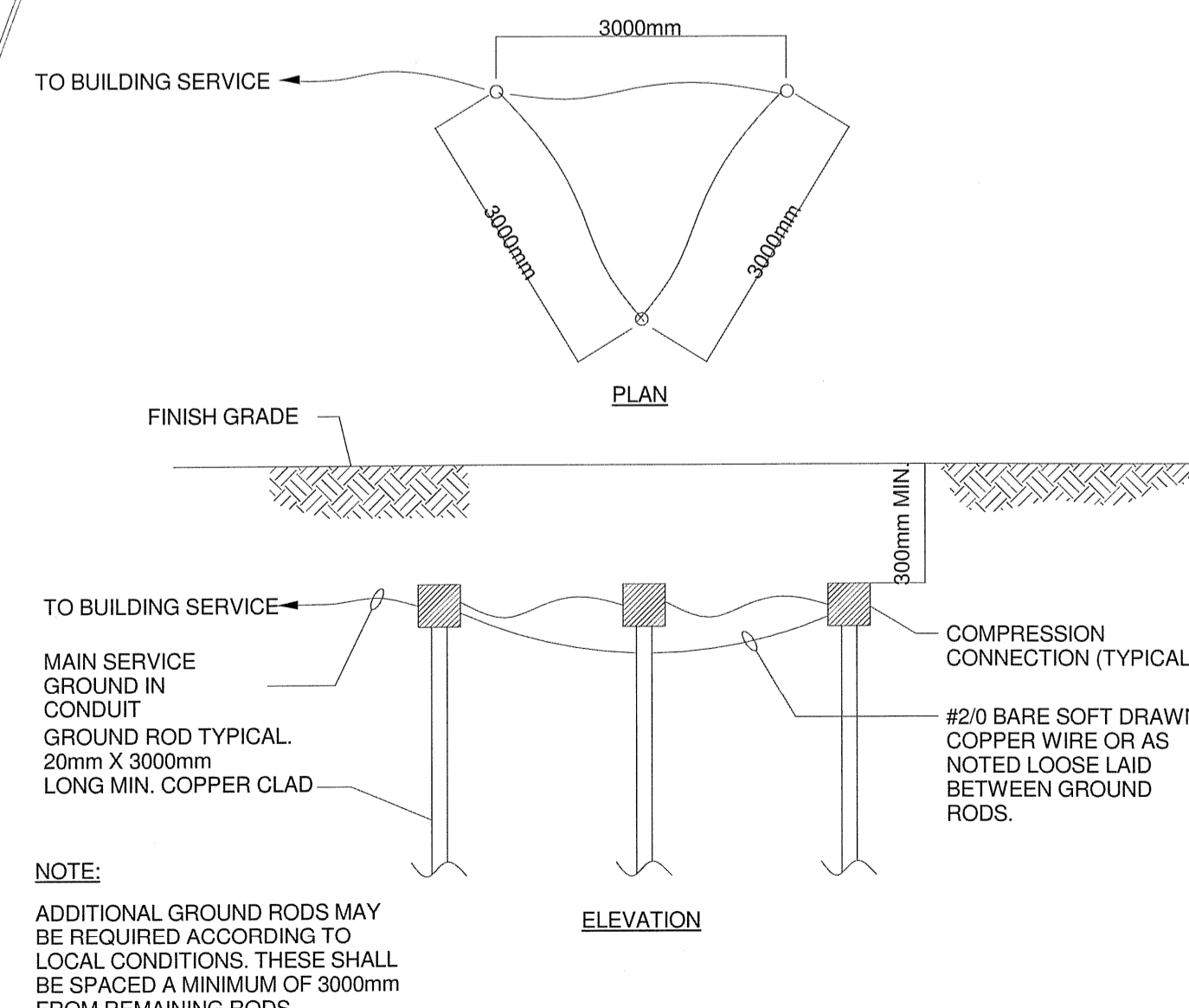
1 SITEPLAN
1 : 200



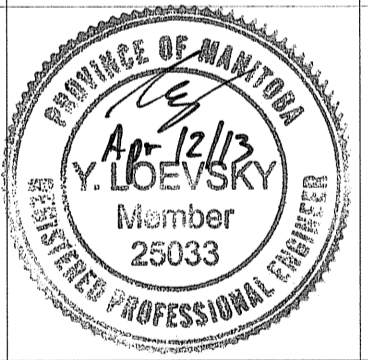
4 RINK LIGHTS MAST
NOT TO SCALE



2 U/G FEEDER DETAIL
NOT TO SCALE



3 GROUND RODS DETAIL
NOT TO SCALE



Project:
Mayfair Recreation Centre
Winnipeg, MB
Project Number: 12131
Bid Opportunity Number: 556-2012

#	Issue/Revision	Date
1	6&S REVIEW	2012-08-16
2	6&S REVISION REVIEW	2012-11-06
3	19% REVIEW	2013-03-06
4	ISSUED FOR TENDER	2013-04-12

Sheet No: **E1.1**

This drawing is the property of the architect and cannot be reproduced or used without the consent of the architect. Any copying or reproduction for marketing or promotional use by the architect and/or other parties is prohibited.