



THE CITY OF WINNIPEG PLANNING, PROPERTY AND DEVELOPMENT DEPARTMENT
MUNICIPAL ACCOMMODATIONS DIVISION
4TH FLOOR - 188 KING STREET
R3B 1J1

Project: **Mayfair Recreation Centre**

40 MAYFAIR PLACE

Project Number: 2011-112

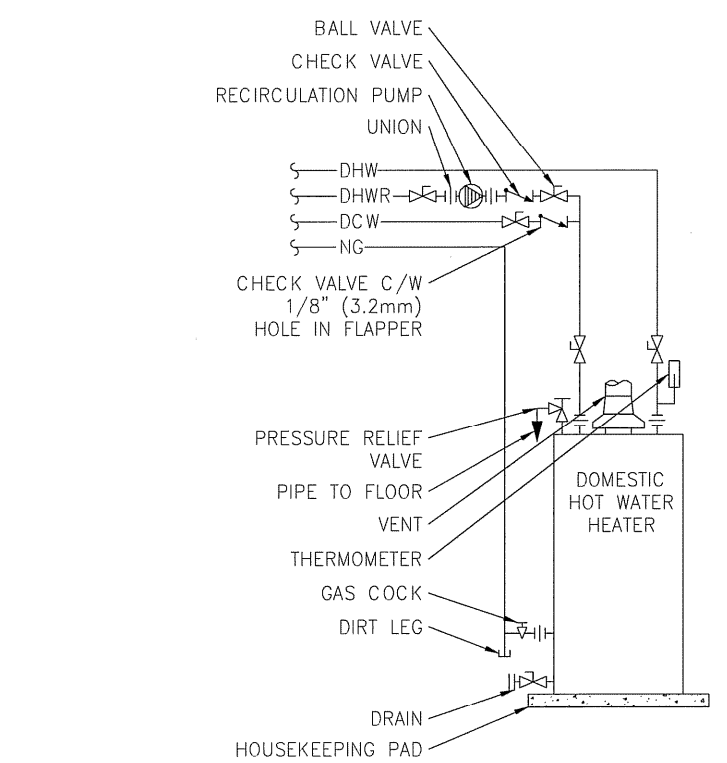
Bid Opportunity Number: 556-2012

Drawing Title: MECHANICAL DETAILS

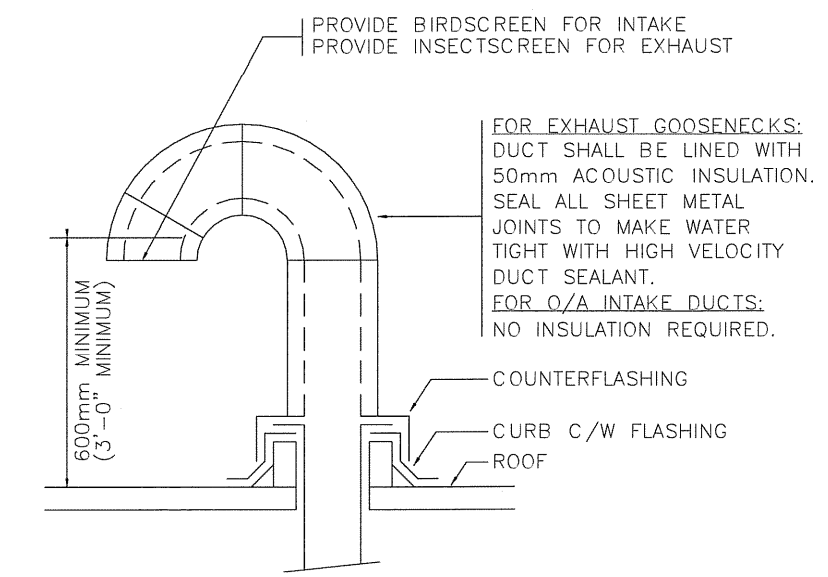
#	Issue/Revision	Date
1	Issued For 40% Review	Oct. 19/12
2	Revised For 40% Review	Nov. 28/12
3	95% Review	Feb. 22/13
4	ISSUED FOR TENDER	Apr. 12/13

Sheet No: **M4.1**

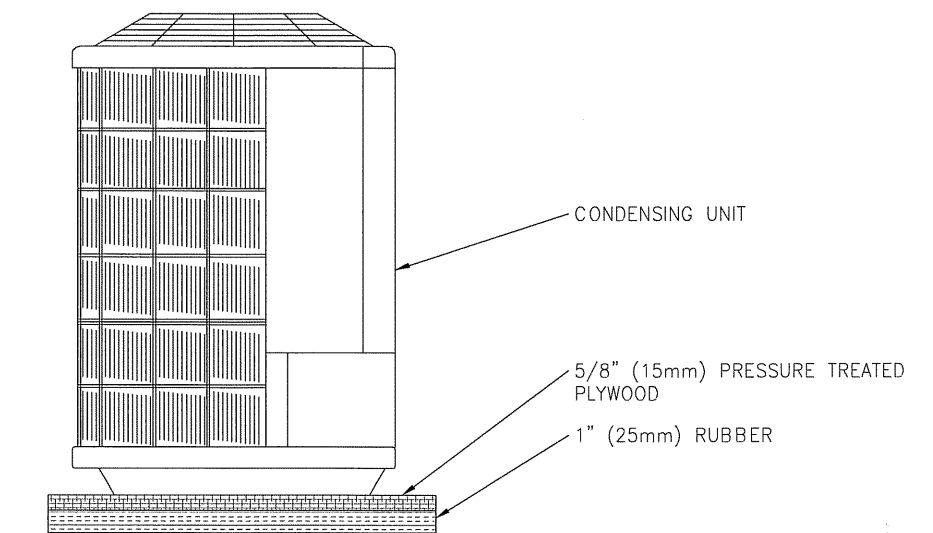
This drawing is the property of the Architect and shall not be used for any other project without the written consent of the Architect. The user shall be responsible for obtaining and verifying all laws and dimensions and shall report all discrepancies to the Architect and shall not be held liable for any errors or omissions.



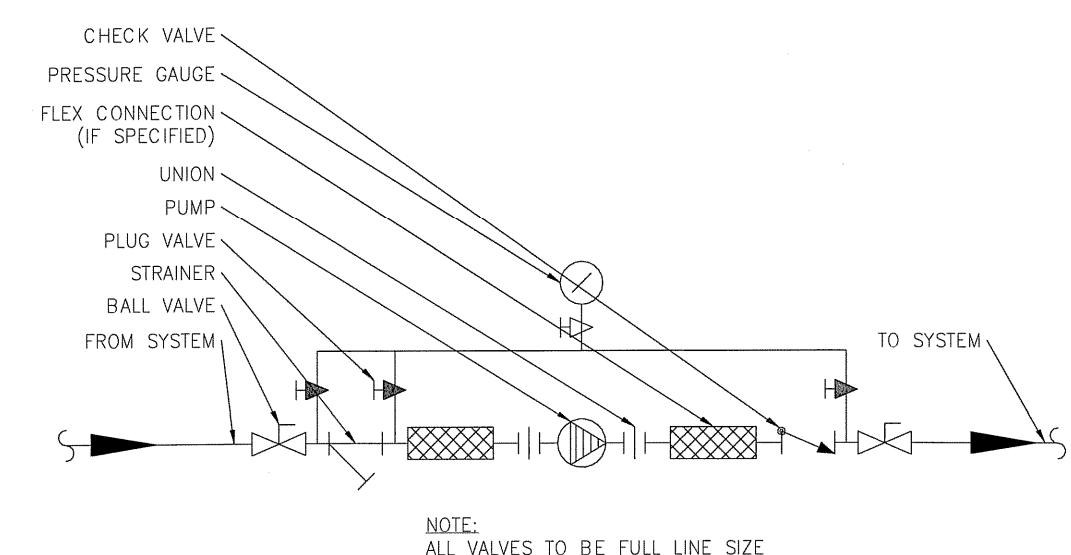
1- GAS DHWT DETAIL
SCALE: N.T.S.



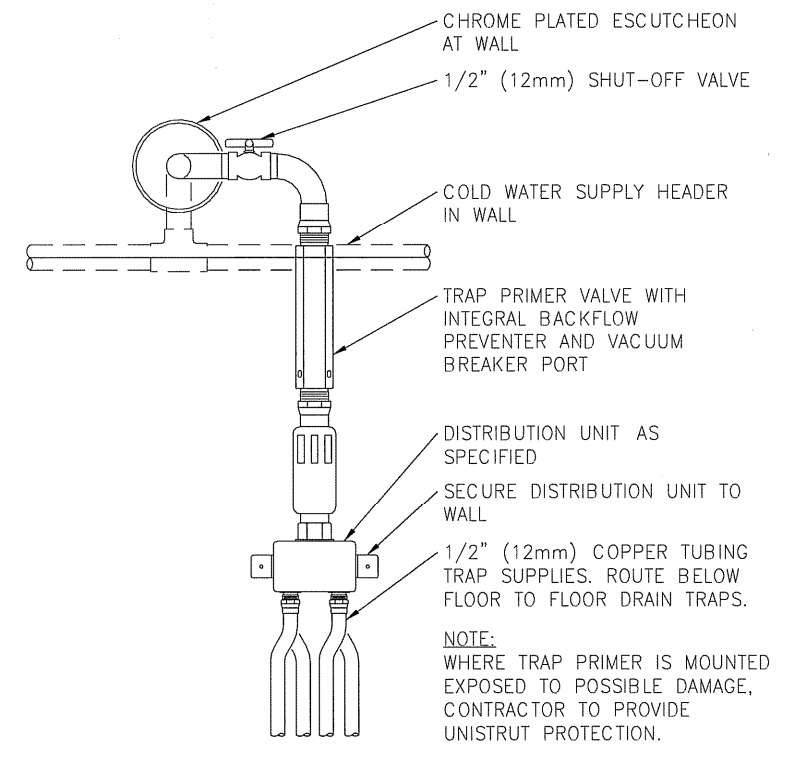
2 ROOF GOOSENECK DETAIL
SCALE: N.T.S.



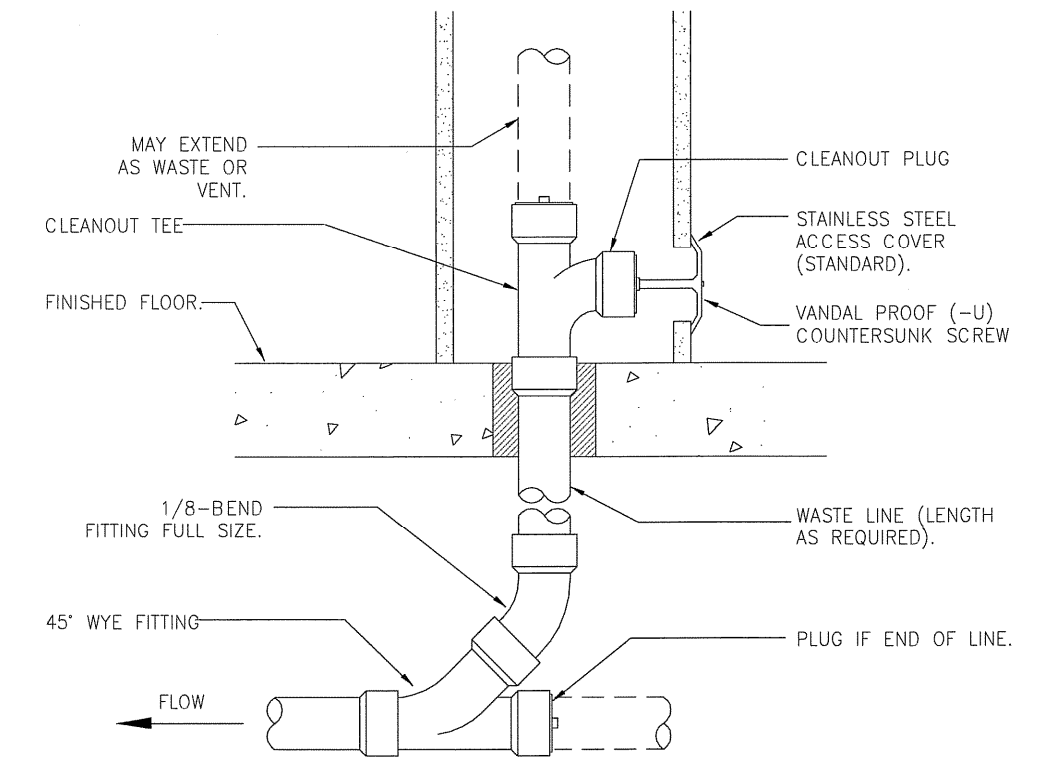
3 CONDENSING UNIT SUPPORT DETAIL
SCALE: N.T.S.



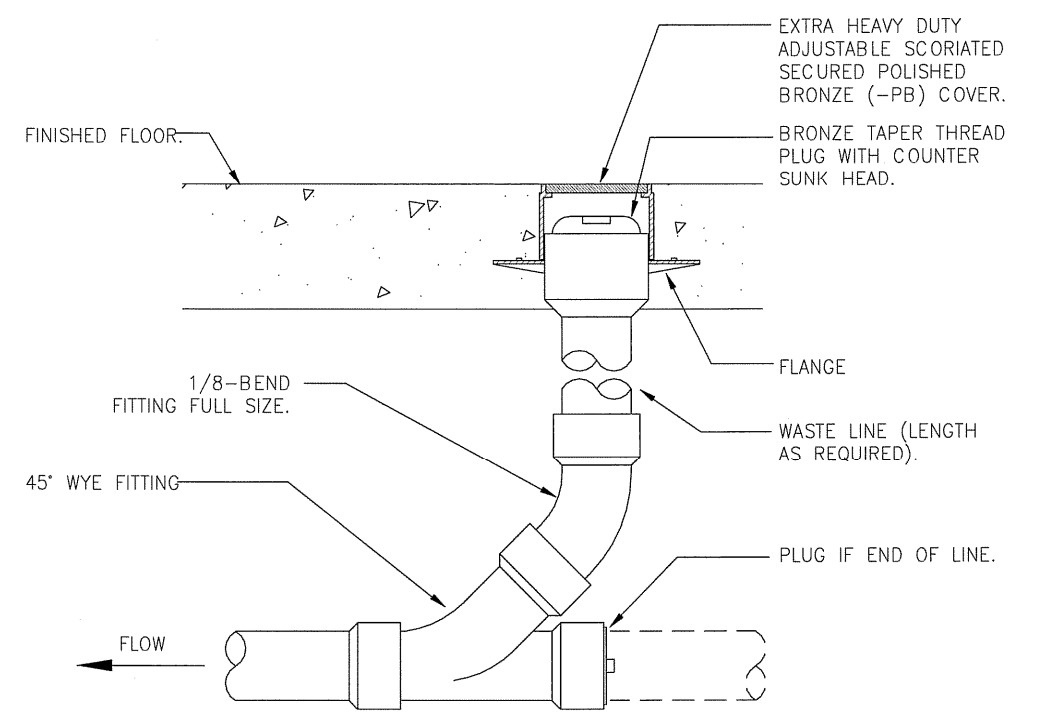
4 CIRCULATING PUMP DETAIL
SCALE: N.T.S.



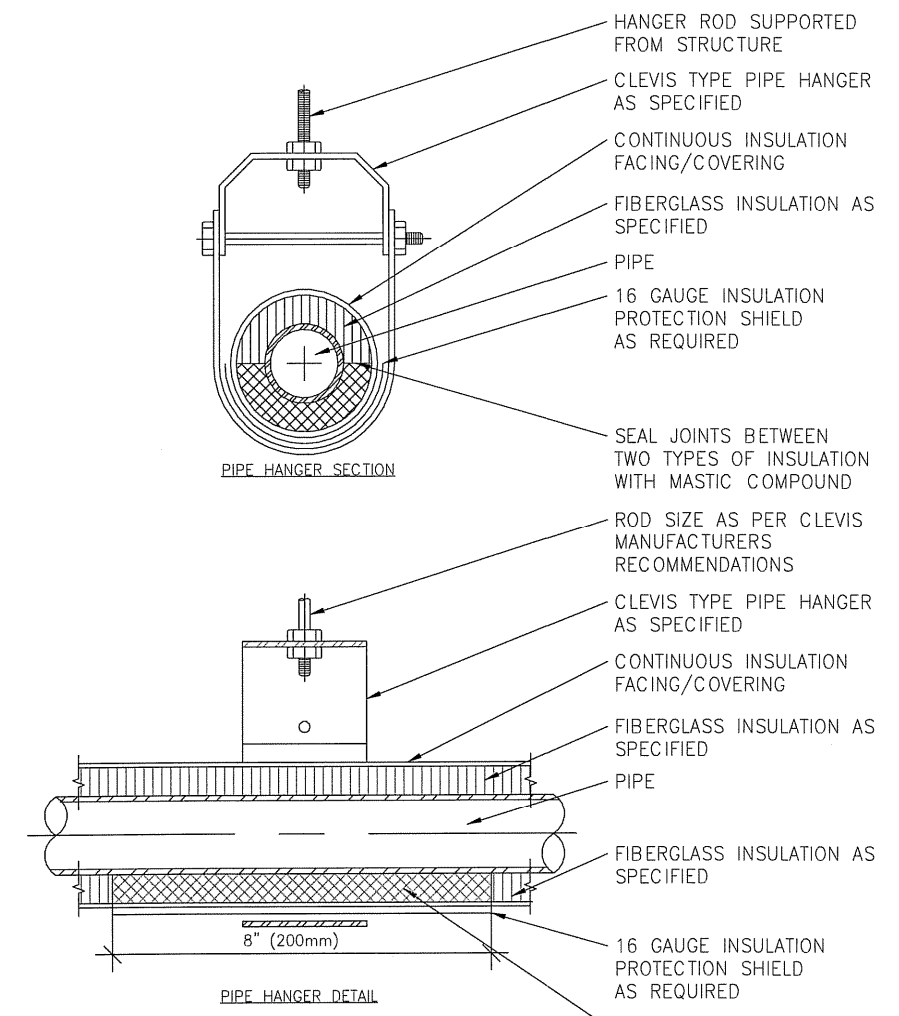
5 TRAP PRIMER DETAIL
SCALE: N.T.S.



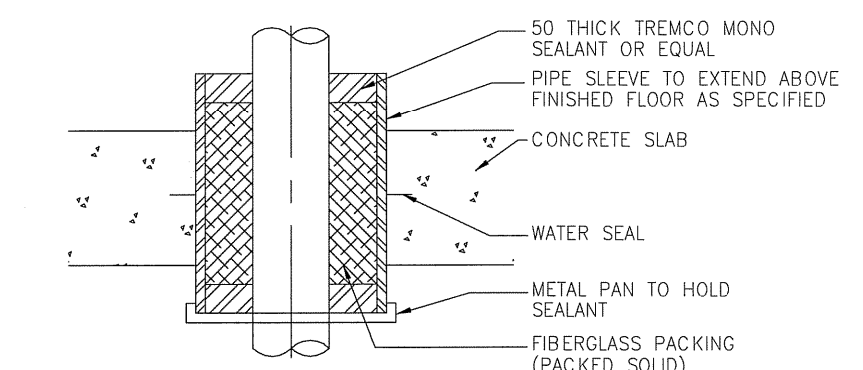
6 SANITARY DRAIN WALL CLEANOUT DETAIL
SCALE: N.T.S.



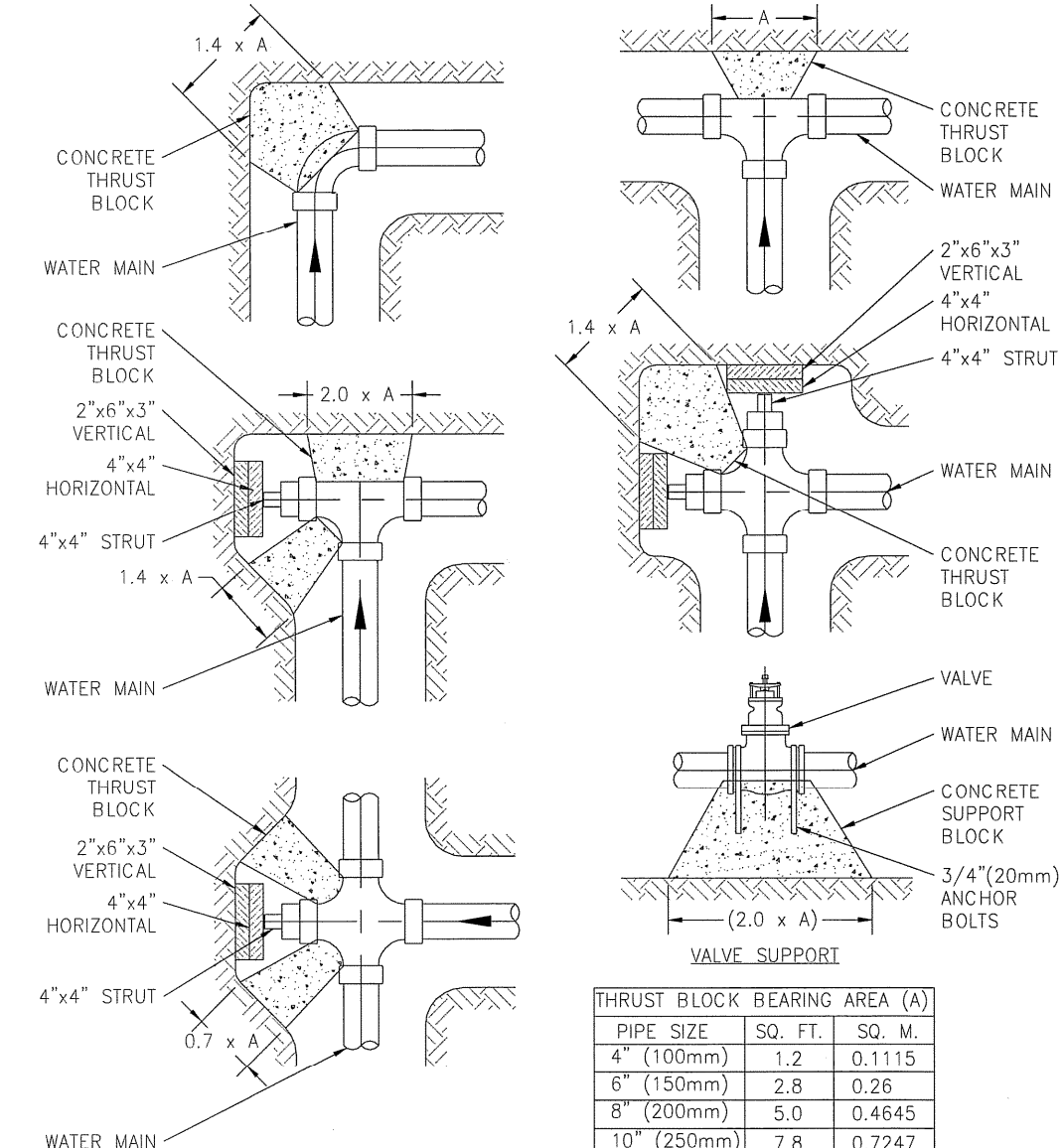
7 TYPICAL FLOOR CLEANOUT
SCALE: N.T.S.



8 INSULATED PIPE HANGER DETAIL
SCALE: N.T.S.

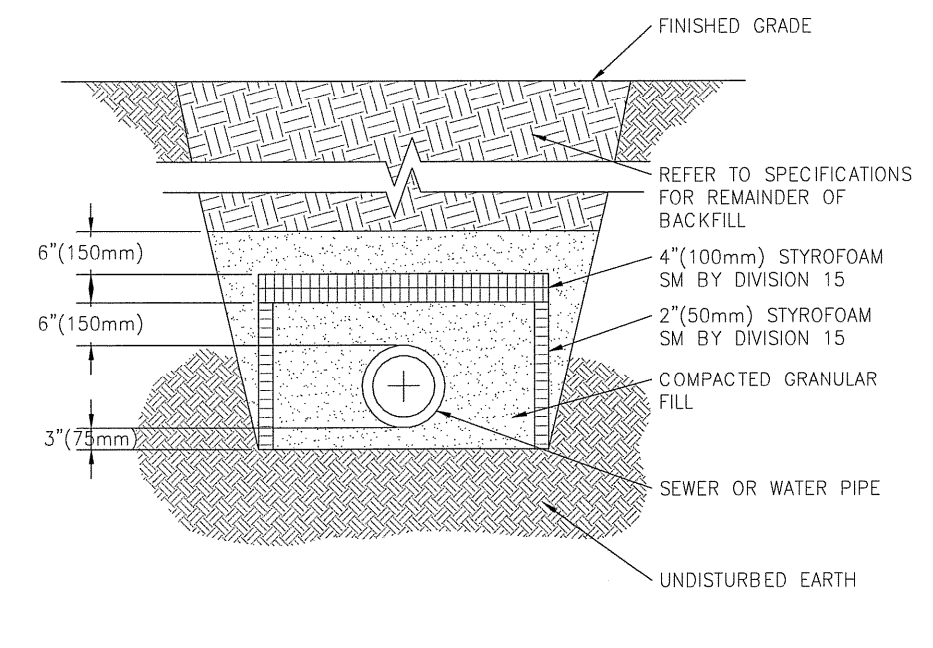


9 PIPE SLEEVE DETAIL
SCALE: N.T.S.

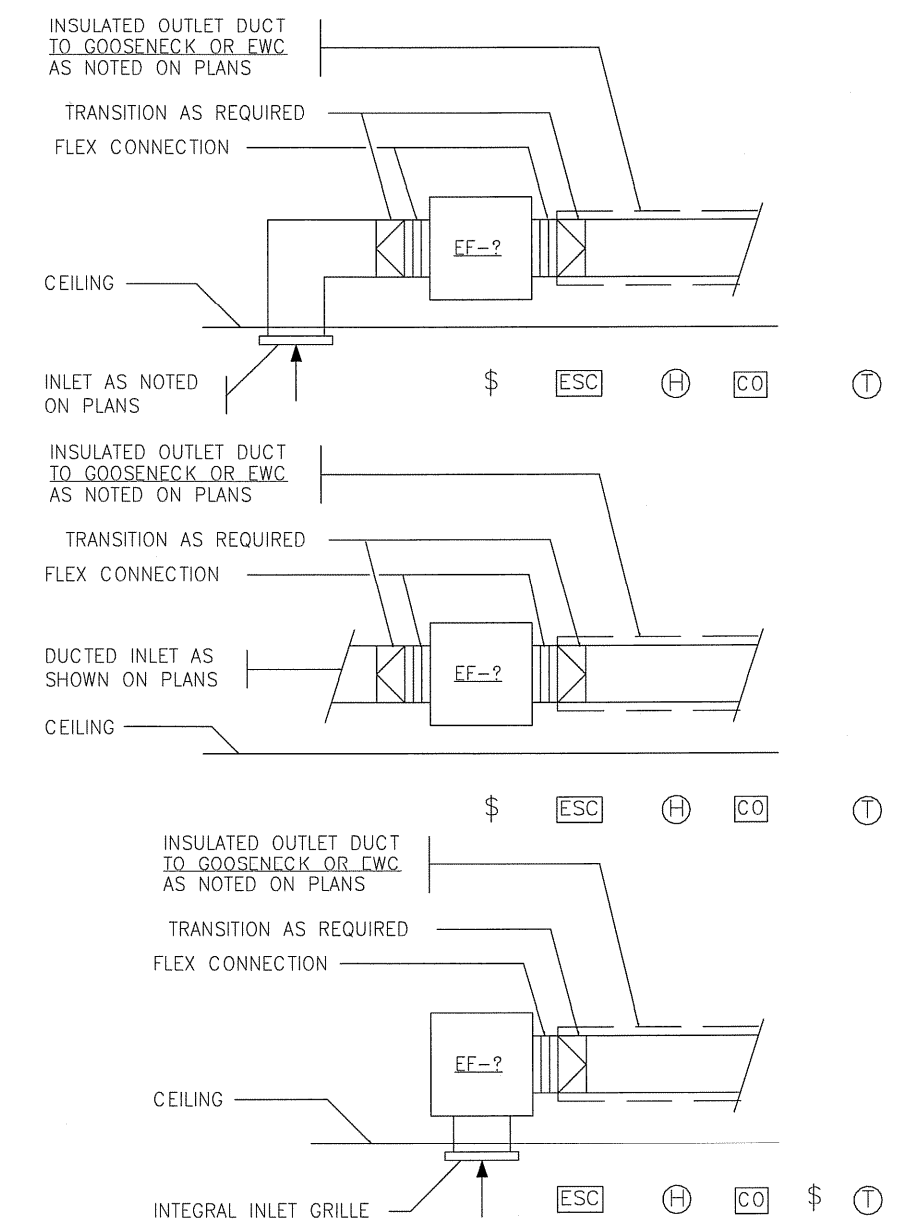


10 PIPE SUPPORT AND THRUST BLOCK DETAIL
SCALE: N.T.S.

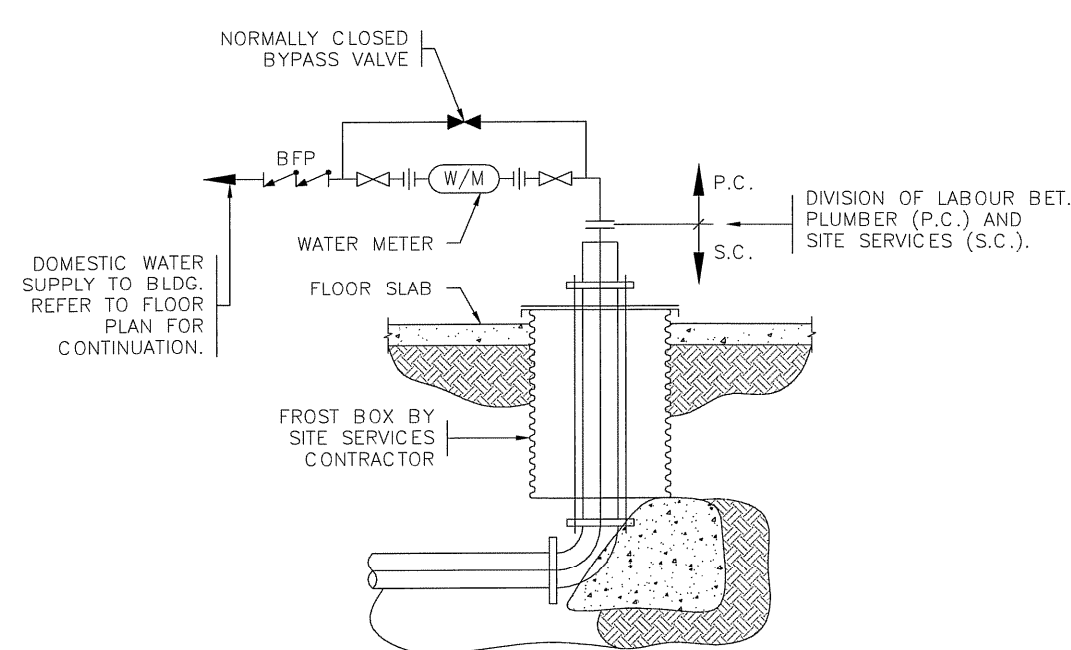
PIPE SIZE	SQ. FT.	SQ. M.
4" (100mm)	1.2	0.1115
6" (150mm)	2.8	0.26
8" (200mm)	5.0	0.4645
10" (250mm)	7.8	0.7247



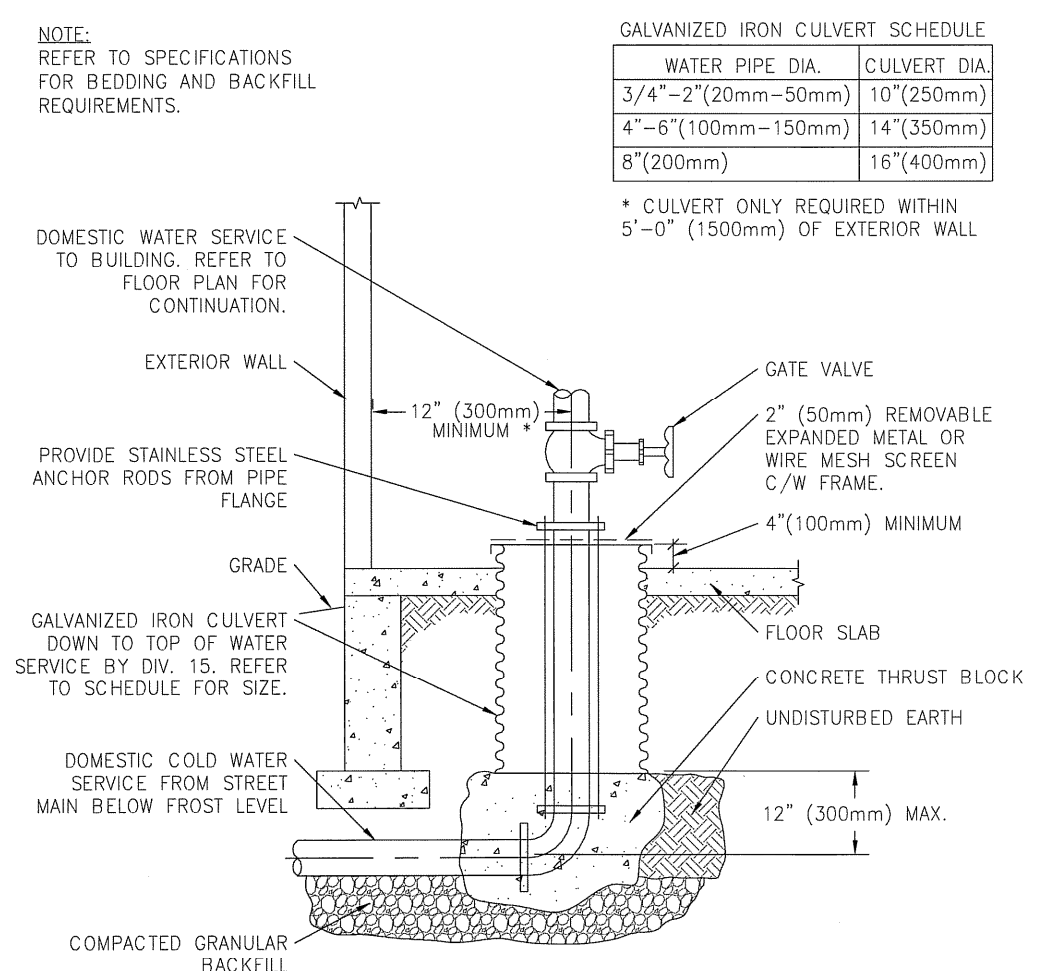
11 INSULATED BURIED SEWER DETAIL
SCALE: N.T.S.



12 EXHAUST FAN DETAIL
SCALE: N.T.S.



13 COMBINED WATER SERVICE DETAIL
SCALE: N.T.S.



14 WATER SERVICE FROST BOX DETAIL
SCALE: N.T.S.

WATER PIPE DIA.	CULVERT DIA.
3/4" - 2" (20mm - 50mm)	10" (250mm)
4" - 6" (100mm - 150mm)	14" (350mm)
8" (200mm)	16" (400mm)

* CULVERT ONLY REQUIRED WITHIN 5'-0" (1500mm) OF EXTERIOR WALL