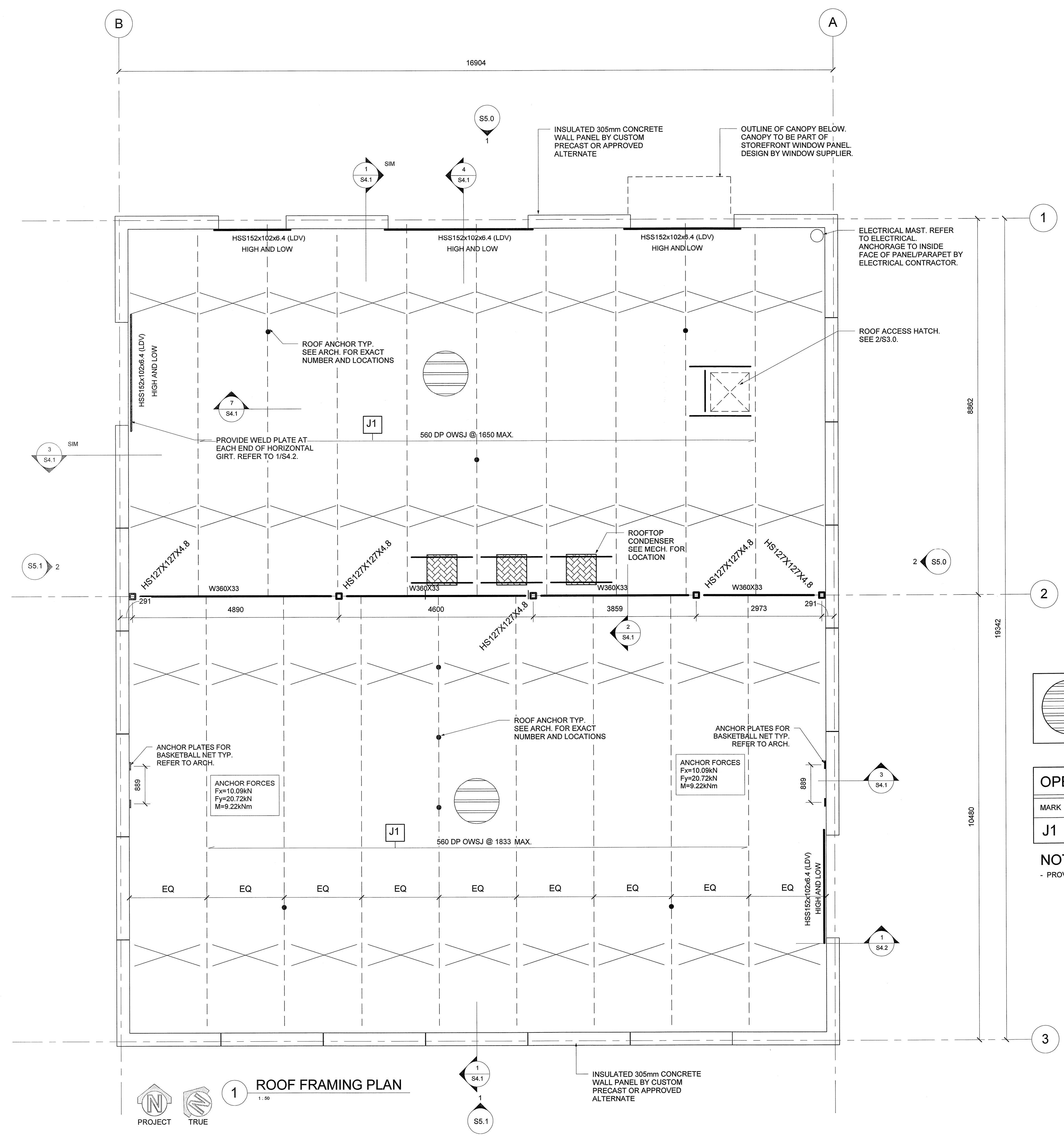
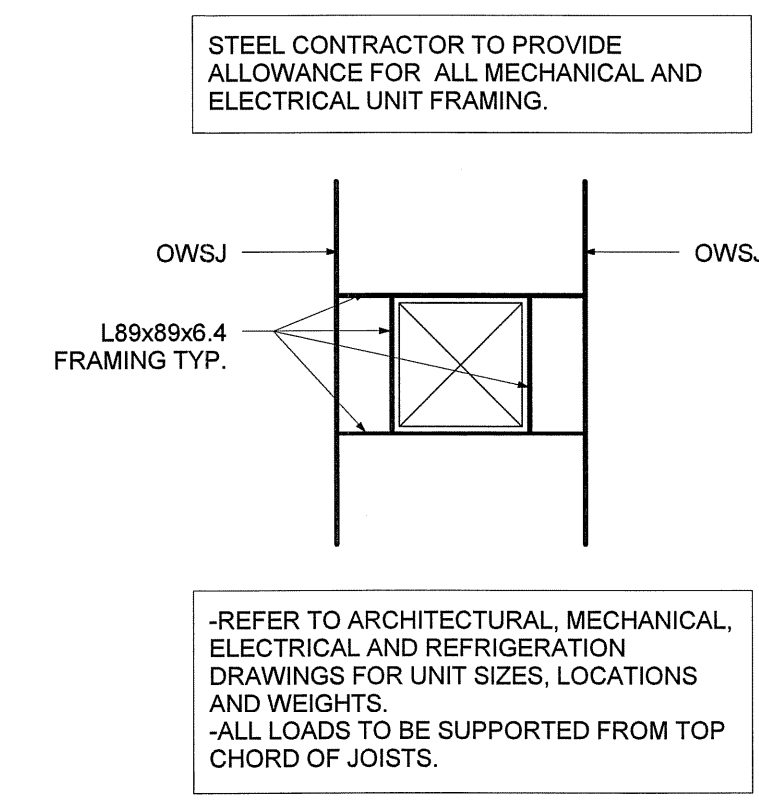


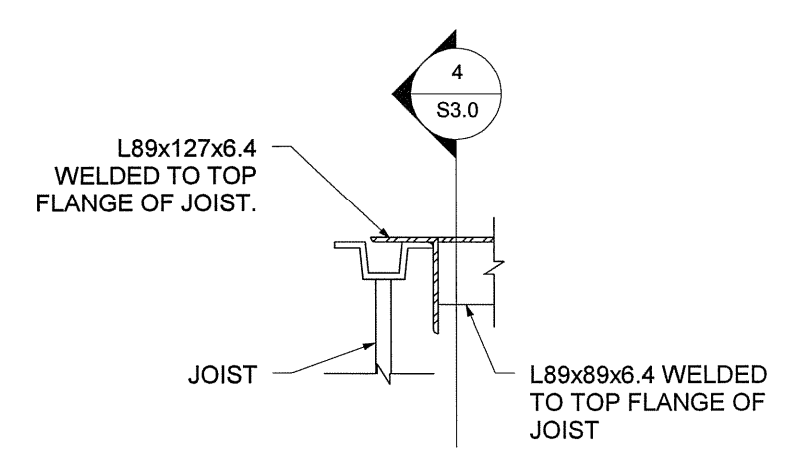
#	Issue/Revision	Date
1	66% REVIEW	AUG 16 2012
2	66% REVIEW RESUB	NOV 26 2012
3	99% REVIEW	MAR 06 2013
4	ISSUED FOR TENDER	APR 12 2013



1 ROOF FRAMING PLAN
1:50



2 FRAMING DETAIL
1:50



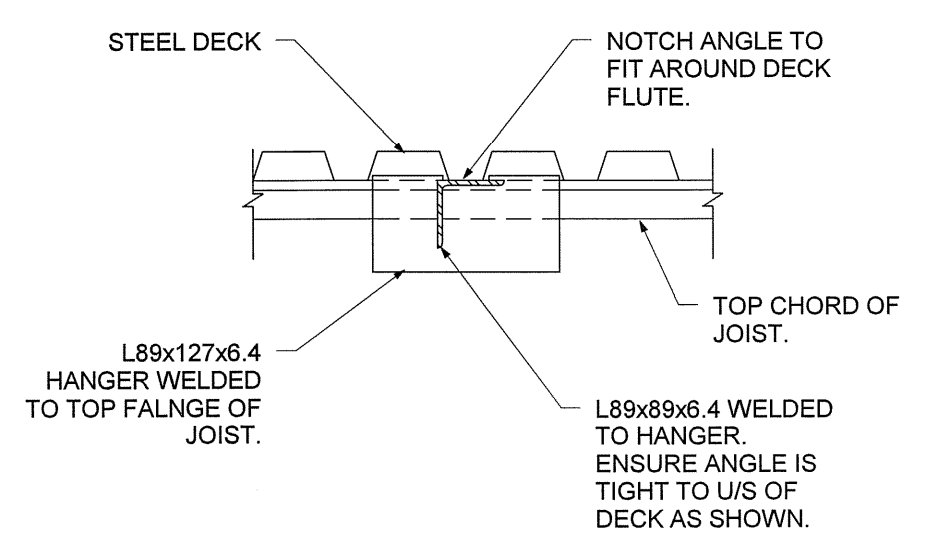
3 DETAIL
1:10

38mm - 0.76 mm ZINC COATED (ZF75) STEEL DECK TYP. U.N.O.
BUTTON PUNCH @610mm O/C TYP. U.N.O.
TRANSVERSE AND LONGITUDINAL WELDS @305mm O/C TYP. U.N.O.
INCREASE DECK GAUGE AS REQUIRED TO SUIT SNOW DRIFT LOADS.

OPEN WEB STEEL JOIST SCHEDULE

MARK	OWSJ DEPTH (MAX.)	JOIST SPACING	DEAD LOAD	SNOW LOAD
J1	560mm DEEP	AS SHOWN ON PLAN	1 kPa	2.2 kPa

NOTE:
- PROVIDE 102mm DEEP JOIST SEATS TYP. U.N.O.



4 SECTION
1:10