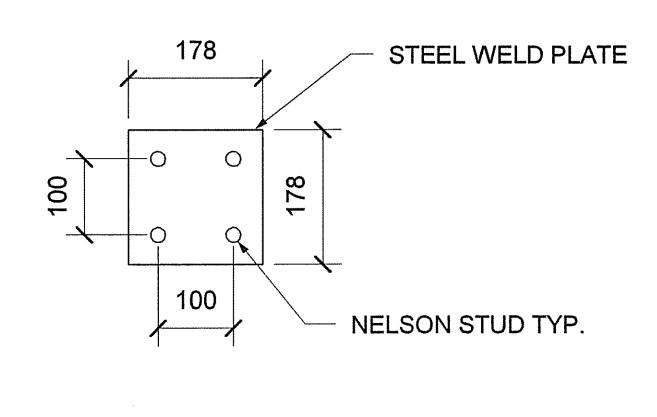
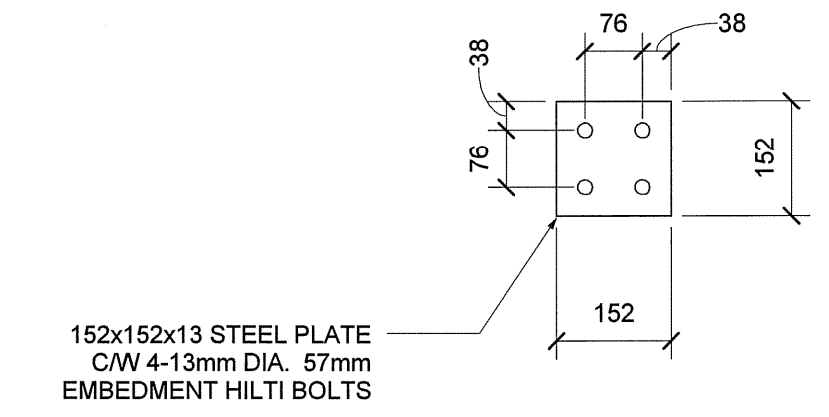


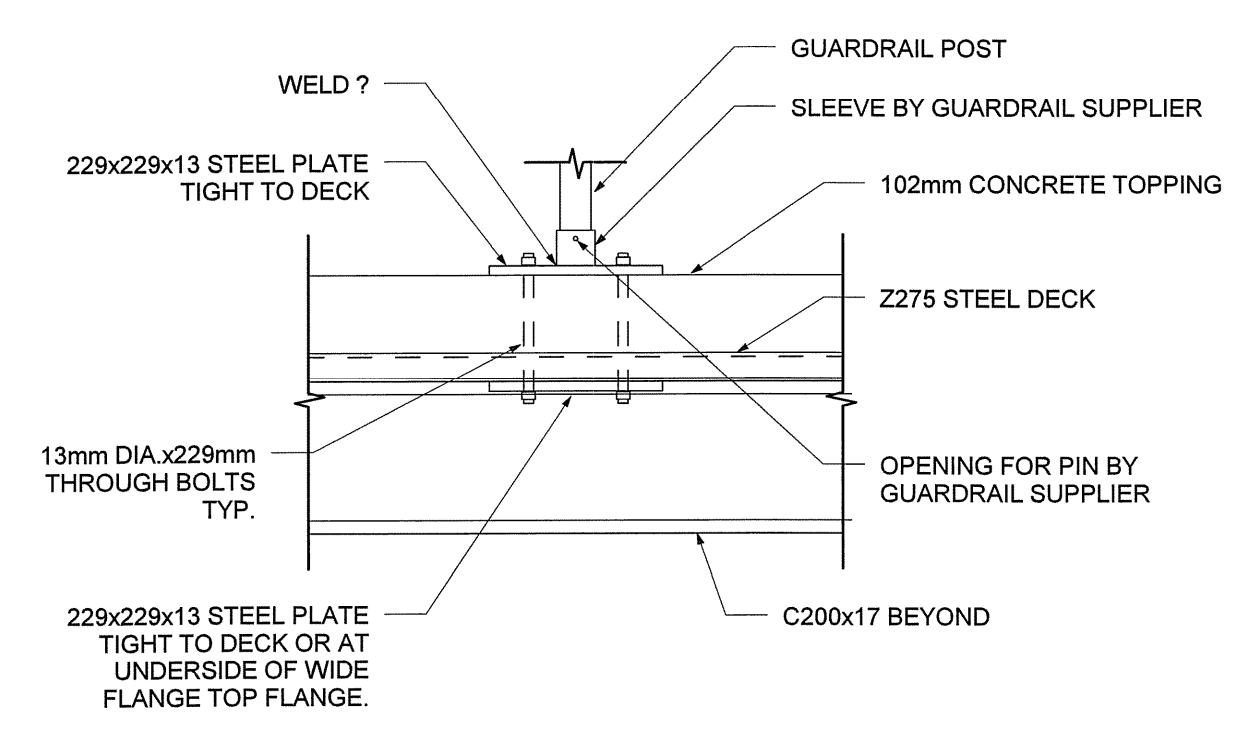
1 SECTION
1:10



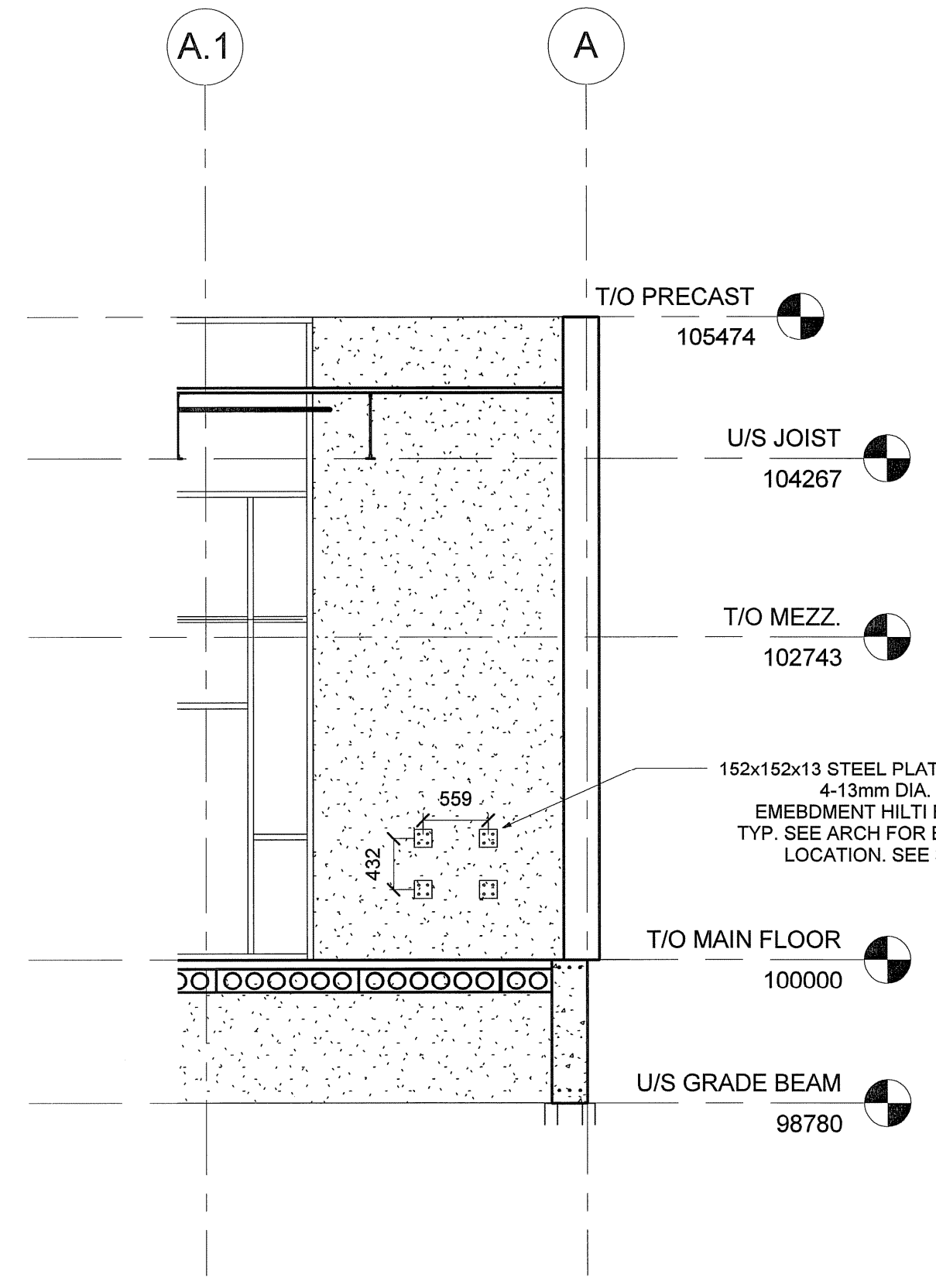
2 HSS WELD PLATE
1:10



3 TYP. HOSE REEL MOUNTING PLATE
1:10

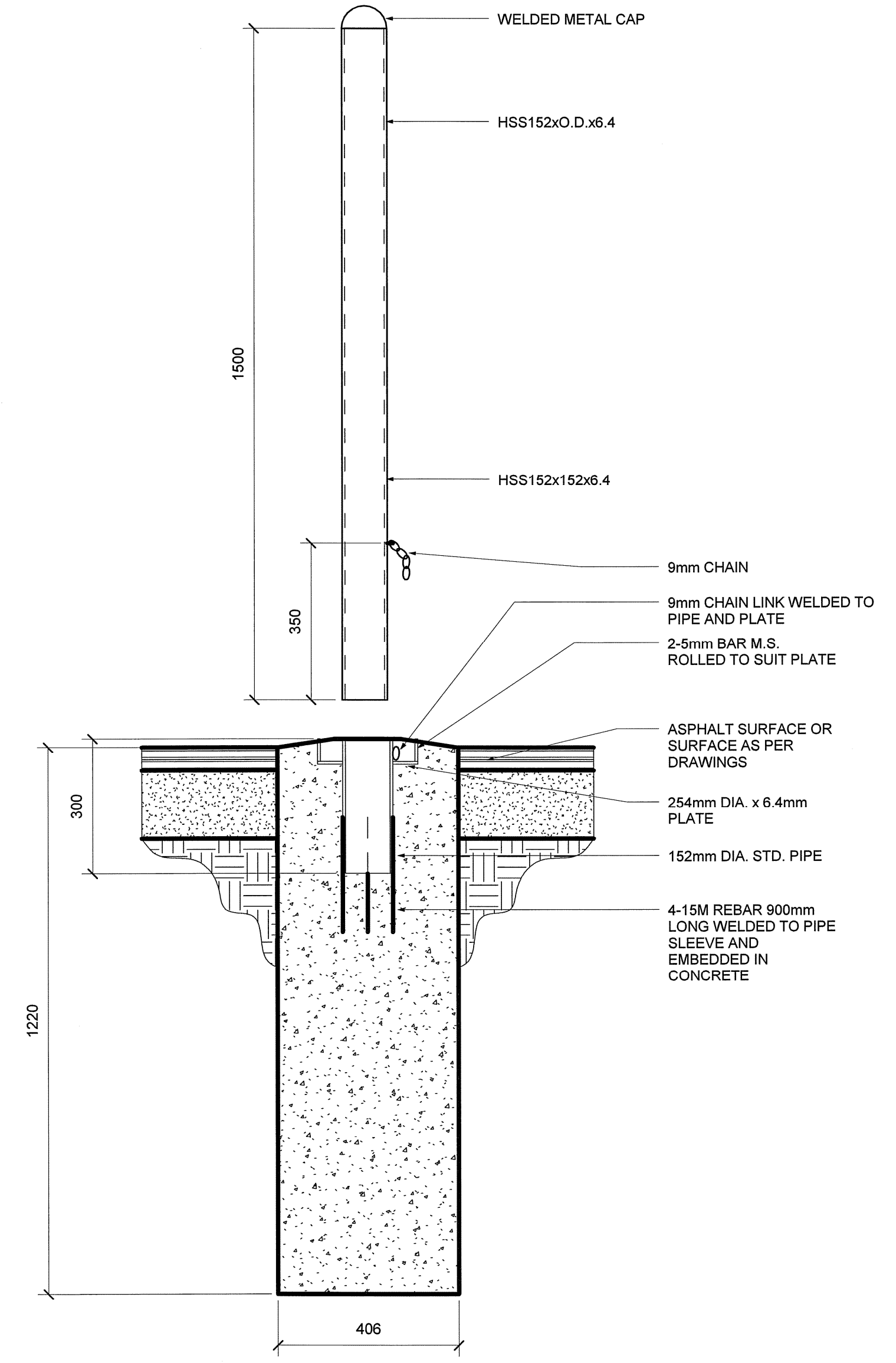


4 REMOVABLE GUARD RAIL DETAIL
1:10

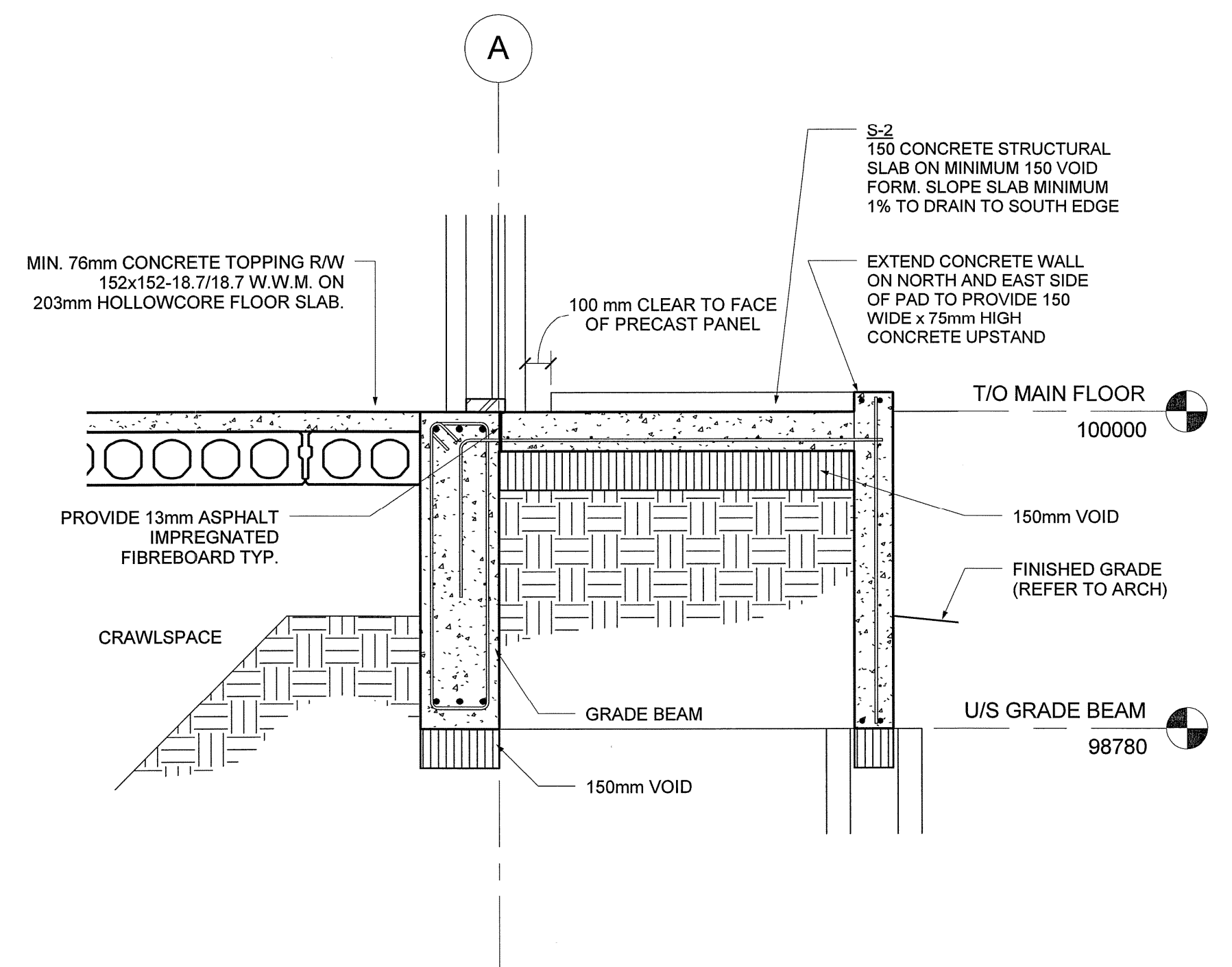


5 NORTH WALL INTERIOR ELEVATION
1:50

MECHANICAL CONTRACTOR TO SITE CONFIRM MOUNTING PLATE LOCATIONS AND HEIGHT WITH ALL MECHANICAL EQUIPMENT IN ROOM TO ALLOW FOR UNIMPEDED ACCESS TO HOSE REEL IN MOUNTED CONDITION



6 REMOVABLE BOLLARD
1:10



7 SECTION
1:20