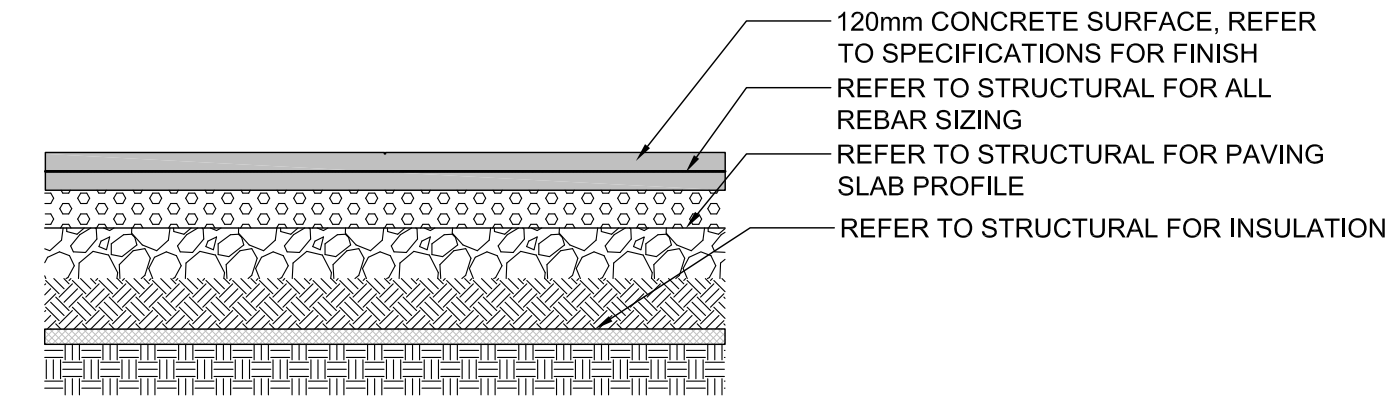
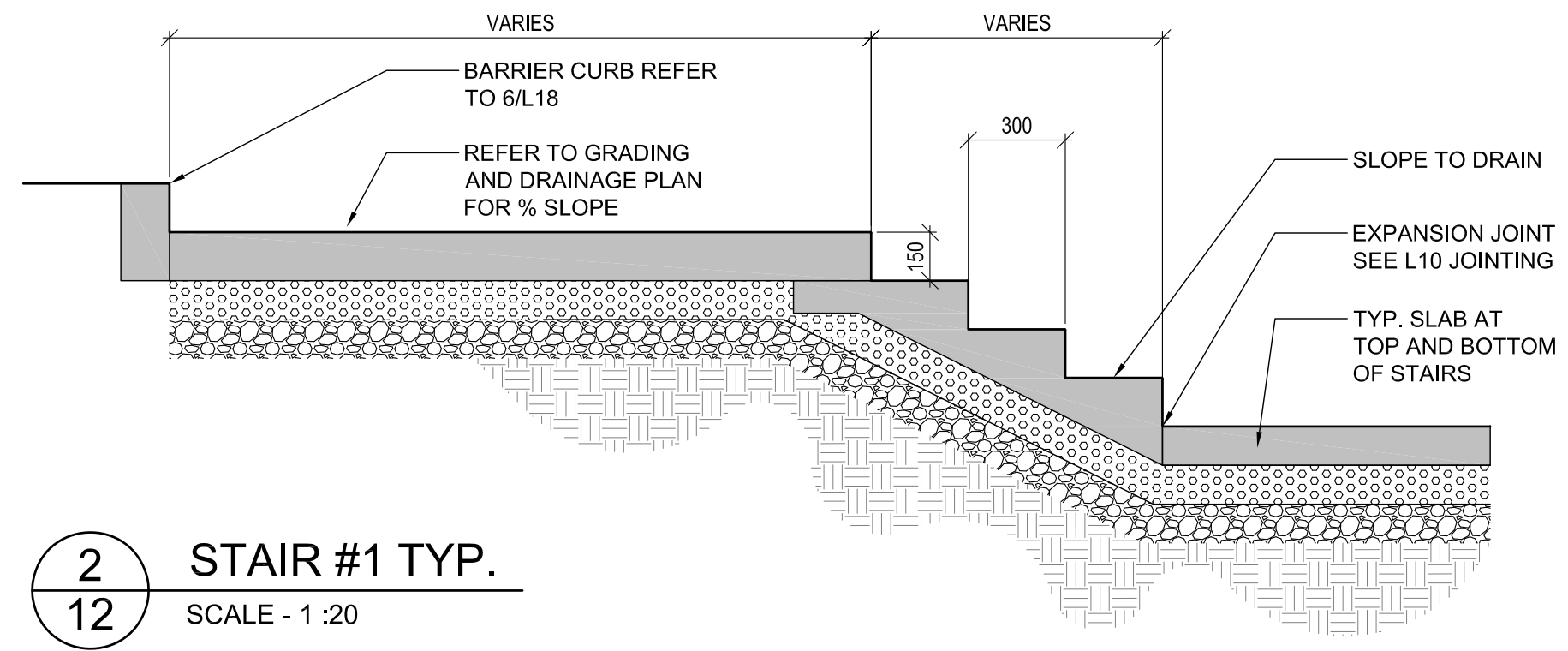


sheet title - Super A1 24' x 36' (metric) CAD File Name: 11-0107-22_kelvin_site_112113-skate_park_details.dwg

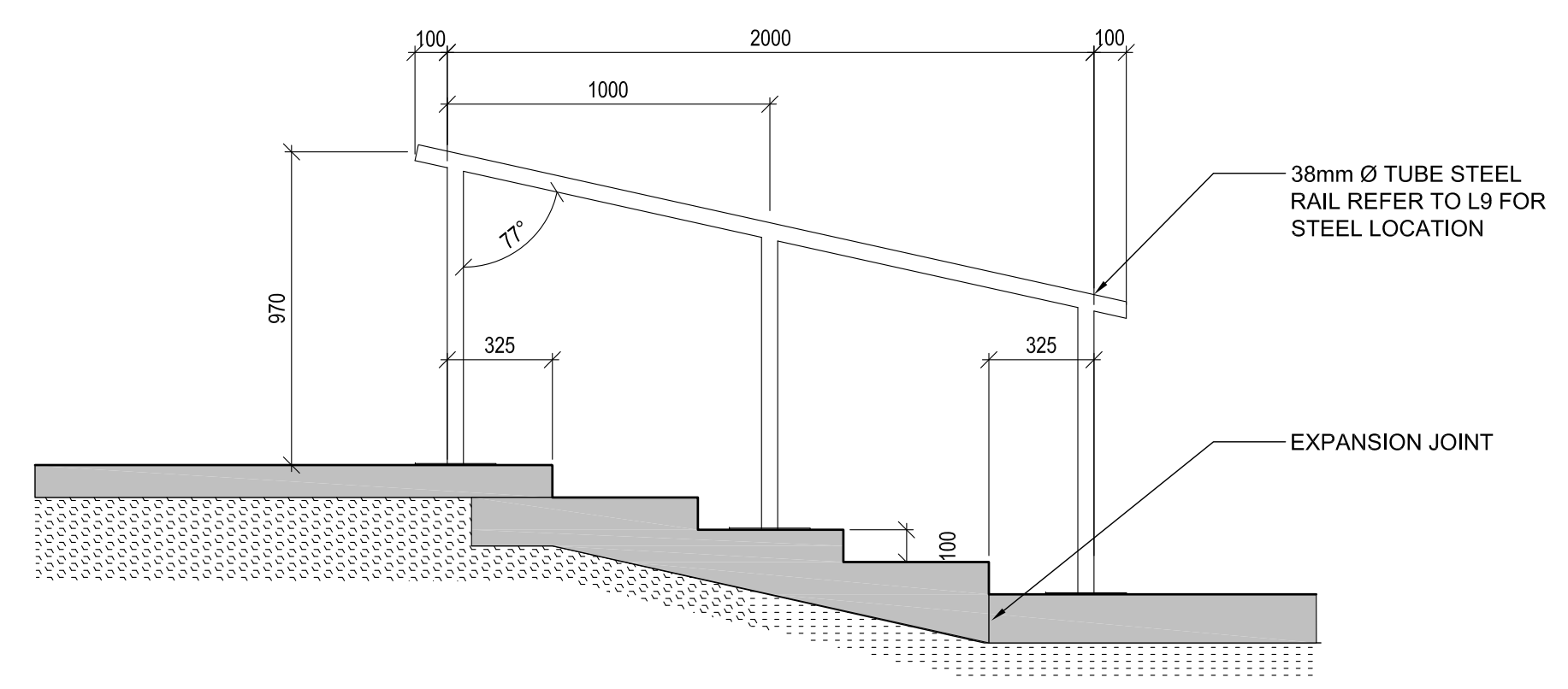


NOTE:
 CONTRACTOR TO LAYOUT ALL JOINTS FOR REVIEW AND APPROVAL BY CONTRACT ADMINISTRATOR PRIOR TO CONSTRUCTION

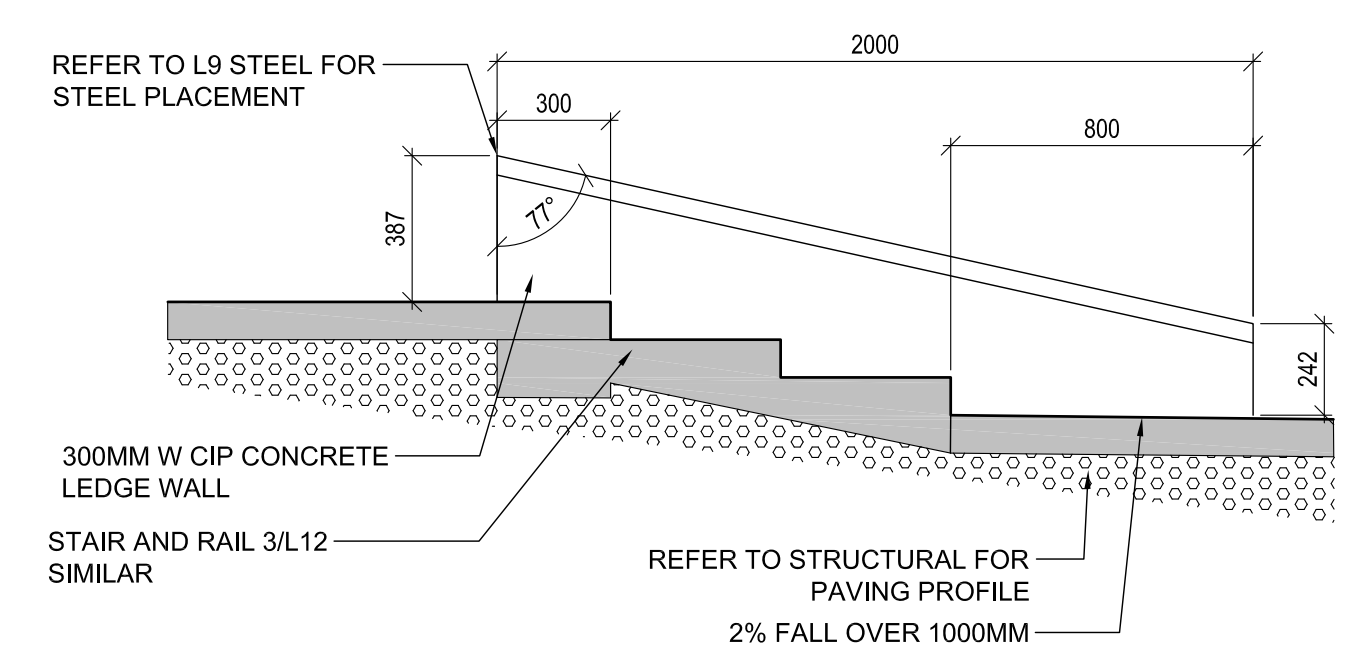
1
12 TYP. SLAB
 SCALE - 1 :20



2
12 STAIR #1 TYP.
 SCALE - 1 :20

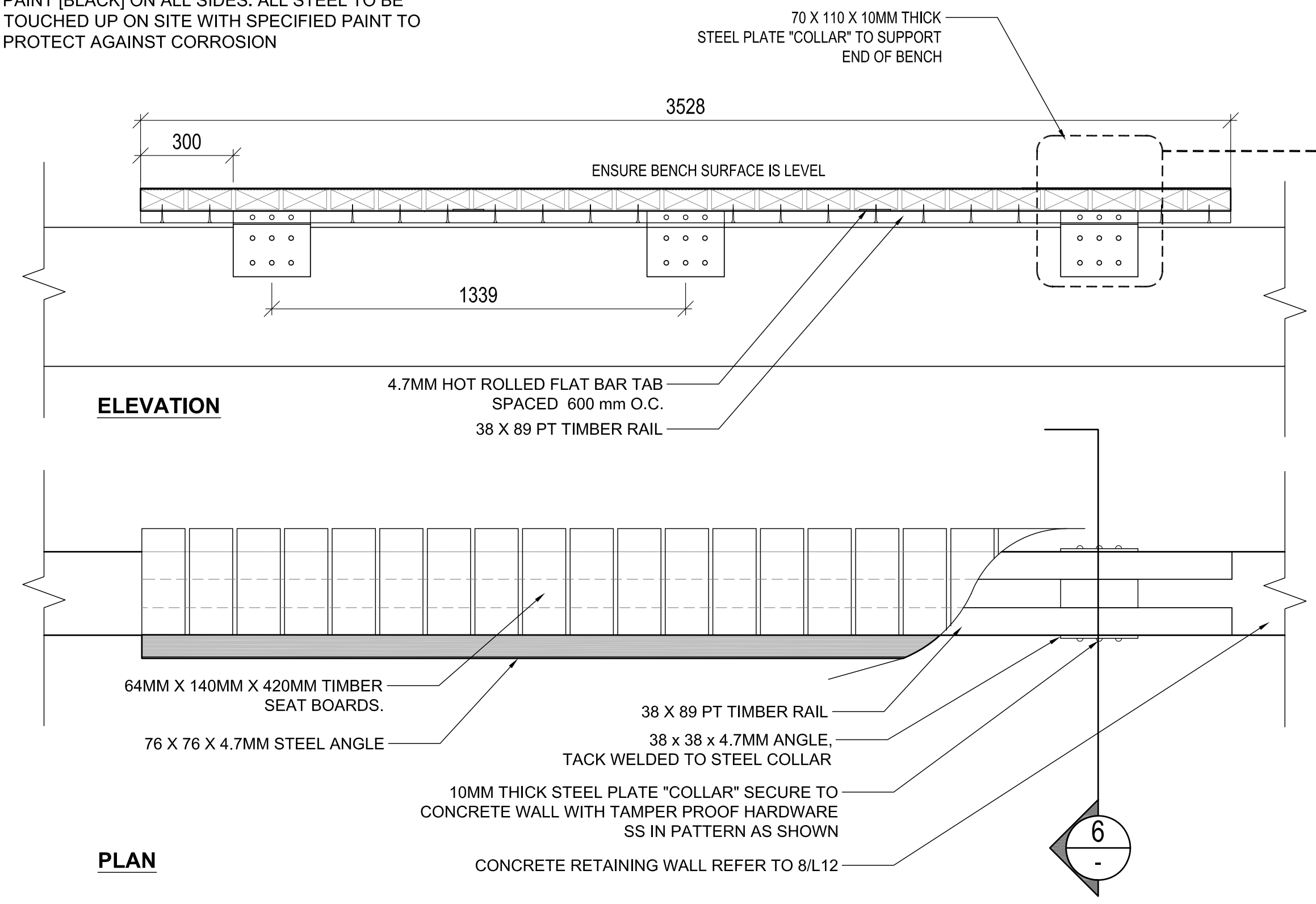


3
12 STAIR WITH RAIL
 SCALE - 1 :20

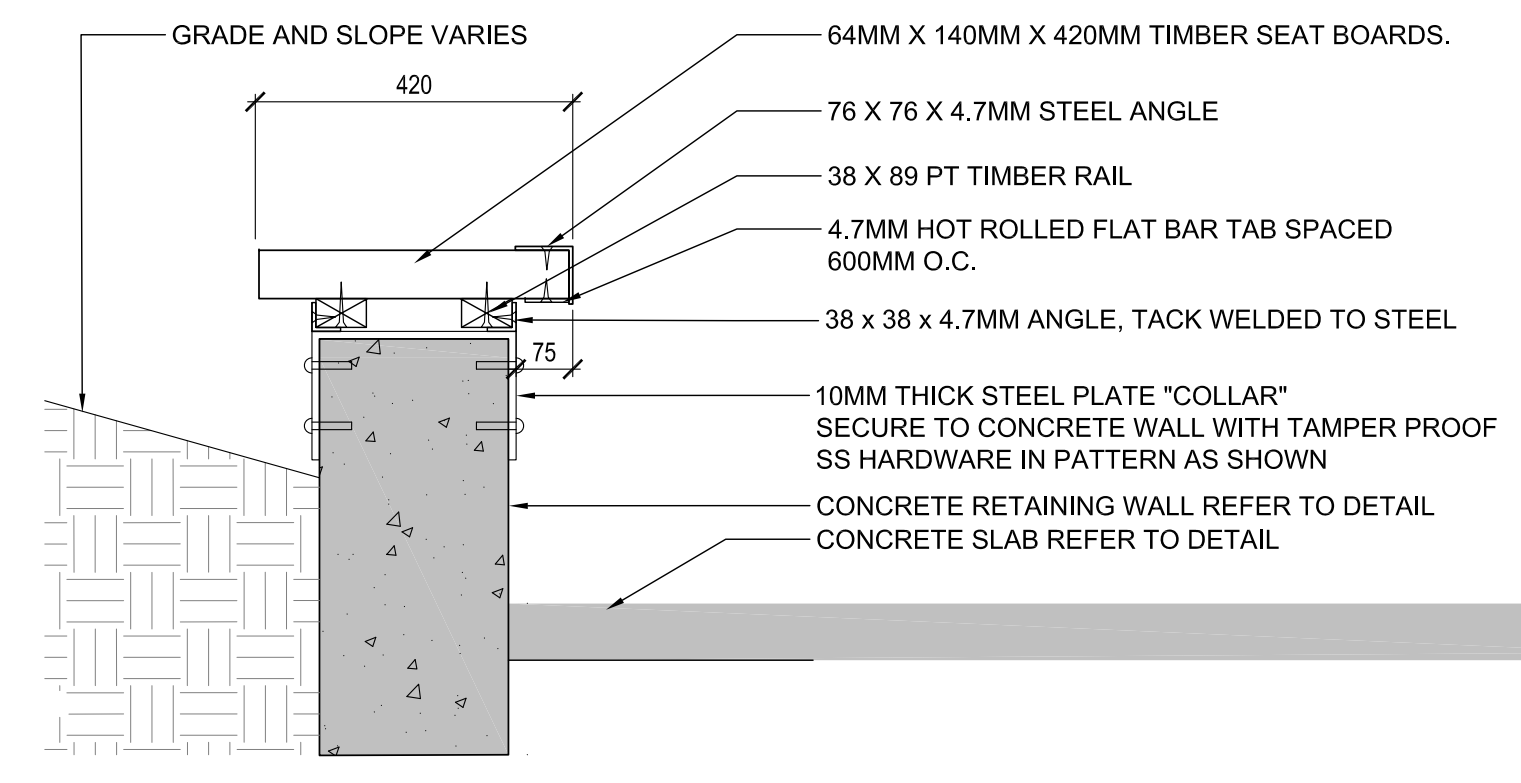
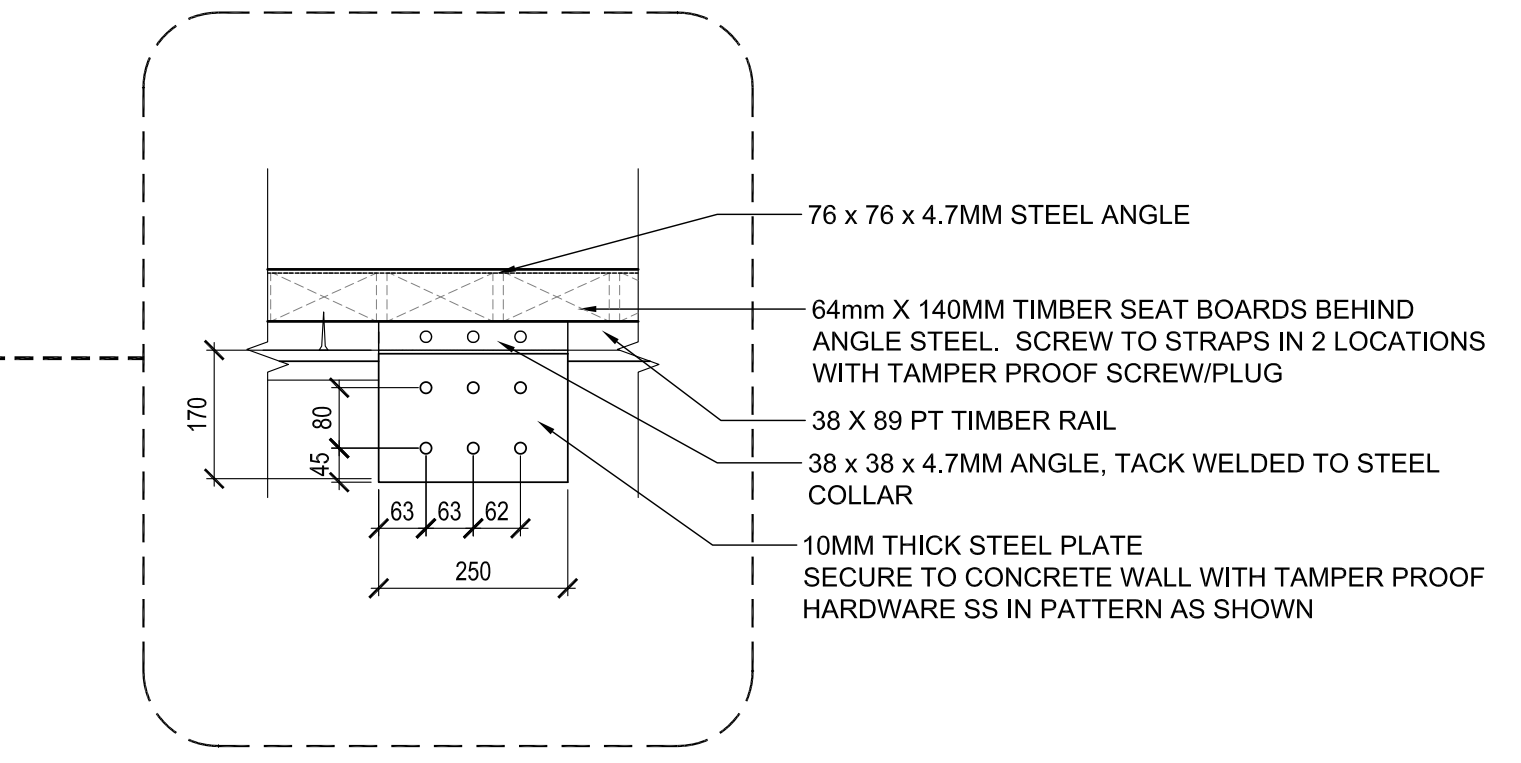


4
12 LEDGE AND STAIRS
 SCALE - 1 :20

NOTE:
 ALL STEEL SHALL BE GALVANIZED, 2 PART EPOXY PAINT [BLACK] ON ALL SIDES. ALL STEEL TO BE TOUCHED UP ON SITE WITH SPECIFIED PAINT TO PROTECT AGAINST CORROSION



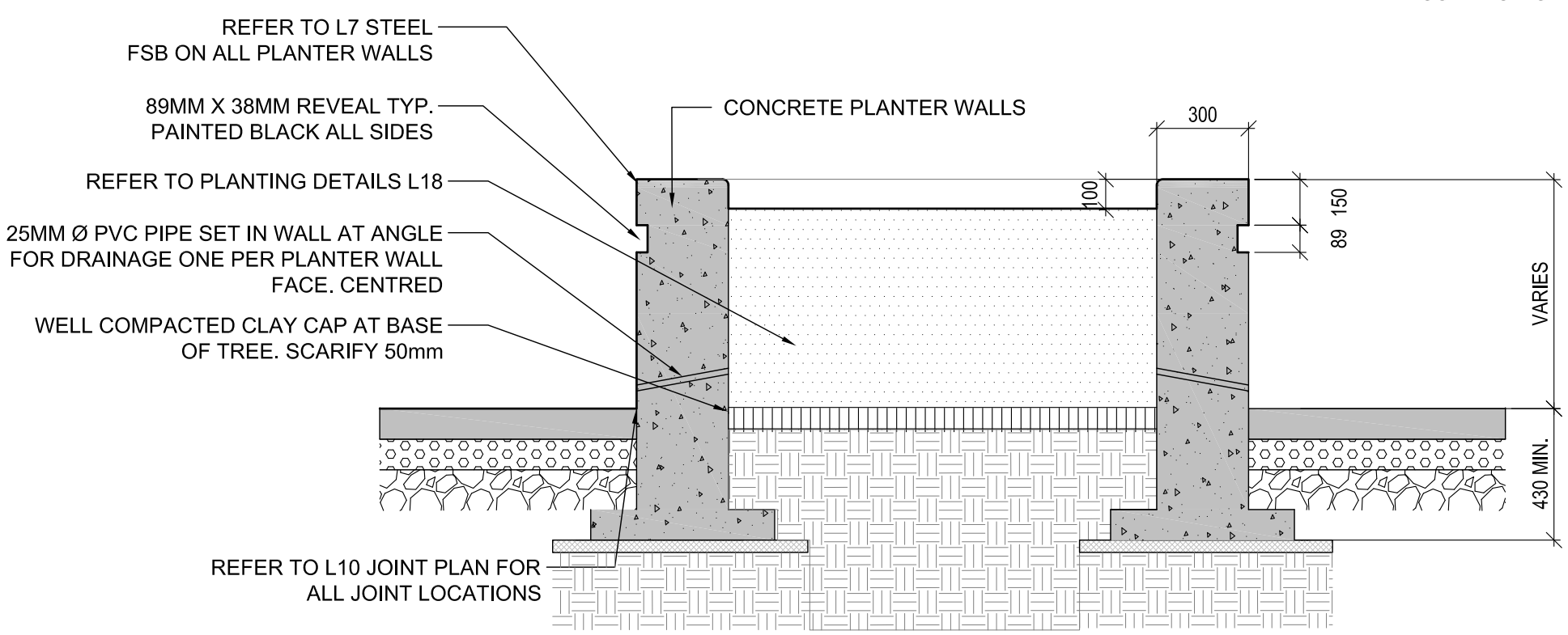
5
12 TYP. BENCH
 SCALE - 1:20



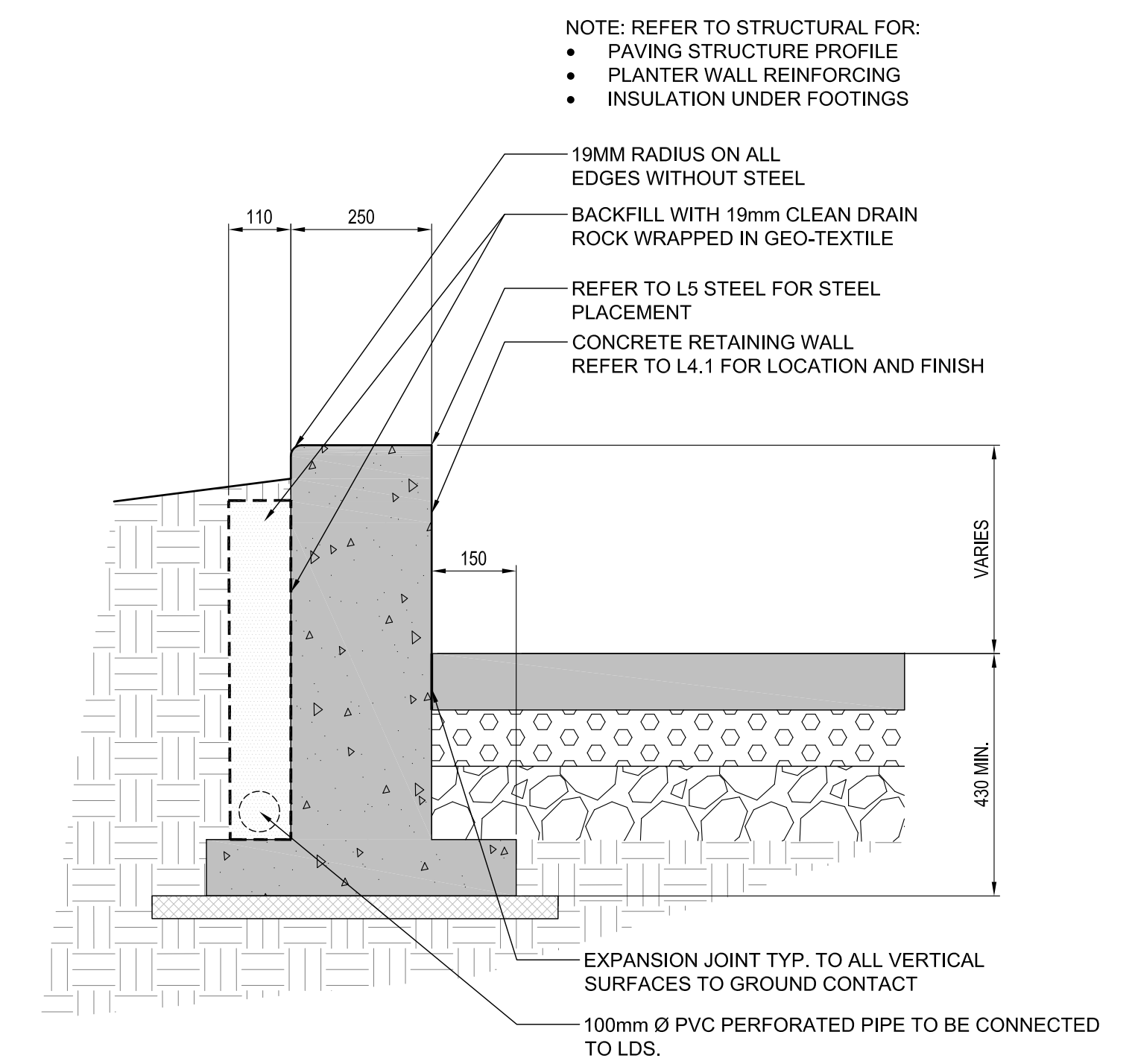
6
12 BENCH - SIDE PROFILE
 SCALE - 1:10

BENCH DETAILS
 PENDING SHOP
 DRAWINGS

NOTE: REFER TO STRUCTURAL FOR:
 • PAVING STRUCTURE PROFILE
 • PLANTER WALL REINFORCING
 • INSULATION UNDER FOOTINGS



7
12 TYP. PLANTER
 SCALE - 1 :20



8
12 TYP. RETAINING WALL
 SCALE - 1 :10

NOTES:
 ALL POURED IN PLACE CONCRETE PENDING STRUCTURAL REVIEW, REFER TO C-03 (PRELIMINARY)

REV	YY / MM / DD	DESCRIPTION	BY
0	12 / 07 / 19	ISSUED FOR TENDER	DKM

SEAL

 BERIK MURRAY
 member no. 63

CLIENT

 CITY OF WINNIPEG
 PLANNING, PROPERTY AND DEVELOPMENT DEPARTMENT
 300 - 65 GARRY ST. R3C 4K4

DESIGN
 BS/IT

CHECKED
 BS

DATE - Y / M / D
 12/07/19

PROJECT NO.
 11-0107-22

SCALE
 AS SHOWN

DRAWING NO.
 L-12

SCATLIFF + MILLER + MURRAY INC.
 TEL 204 927-3444
 FAX 204 927-3443
 1120 - 201 PORTAGE AVENUE
 WINNIPEG, MB, CANADA

PROJECT	KELVIN RECREATION SITE B.P.C.C.		
TITLE	SKATE PARK DETAILS		
DESIGN	DRAWN	DATE - Y / M / D	SCALE
BS/IT	IT	12/07/19	AS SHOWN
CHECKED	APPROVED	PROJECT NO.	DRAWING NO.
BS	DKM/BS	11-0107-22	L-12