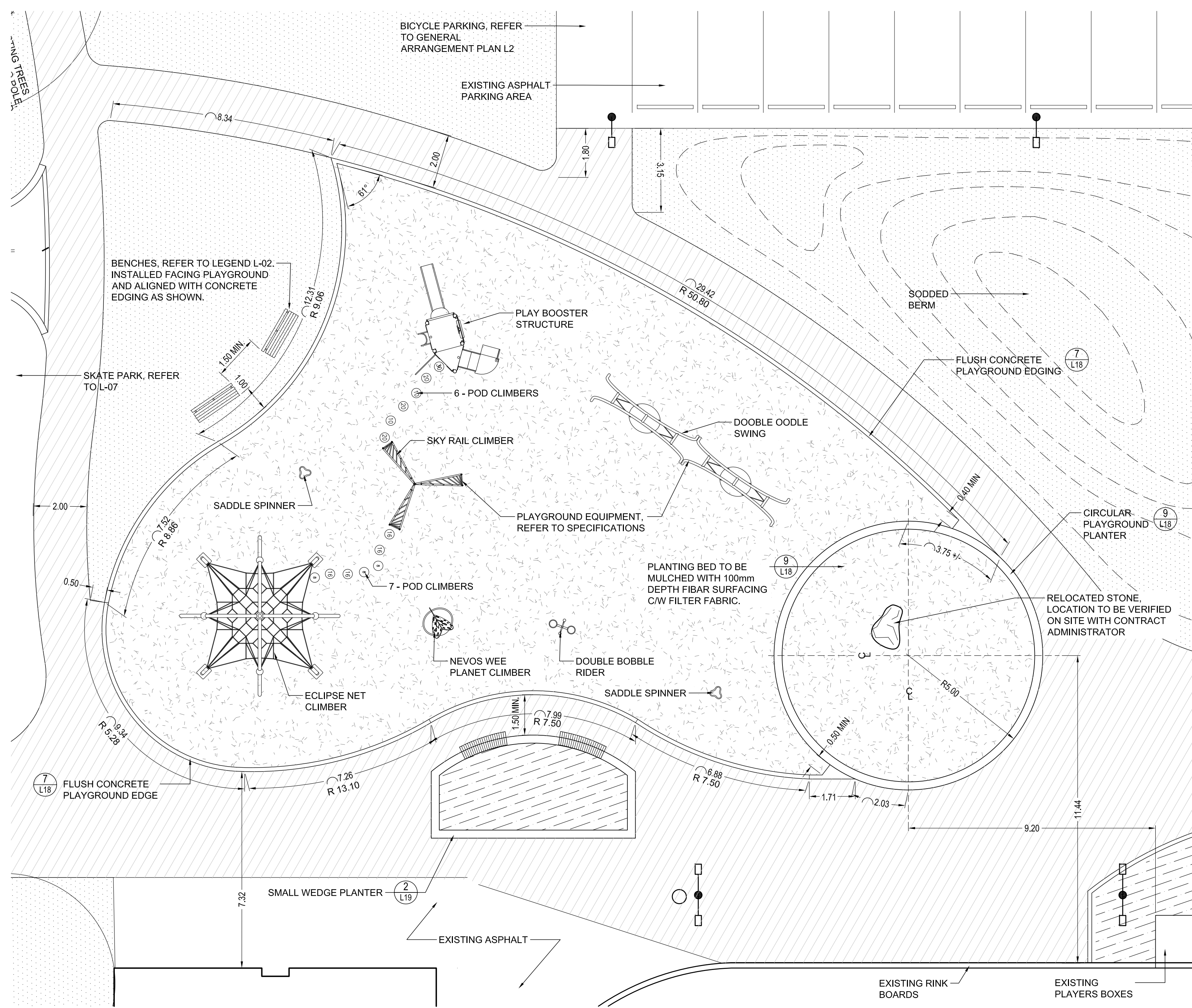


sheet size: Super A1 24" x 36" plot scale: 1:1 (metric) CAD File Name: 11-10107-22\_01h1b\_01b01c\_01c1415-detailed layout.dwg



**1**  
**L14** **PLAYGROUND PERIMETER LAYOUT**  
SCALE - 1 : 100

**SURFACING LEGEND:**

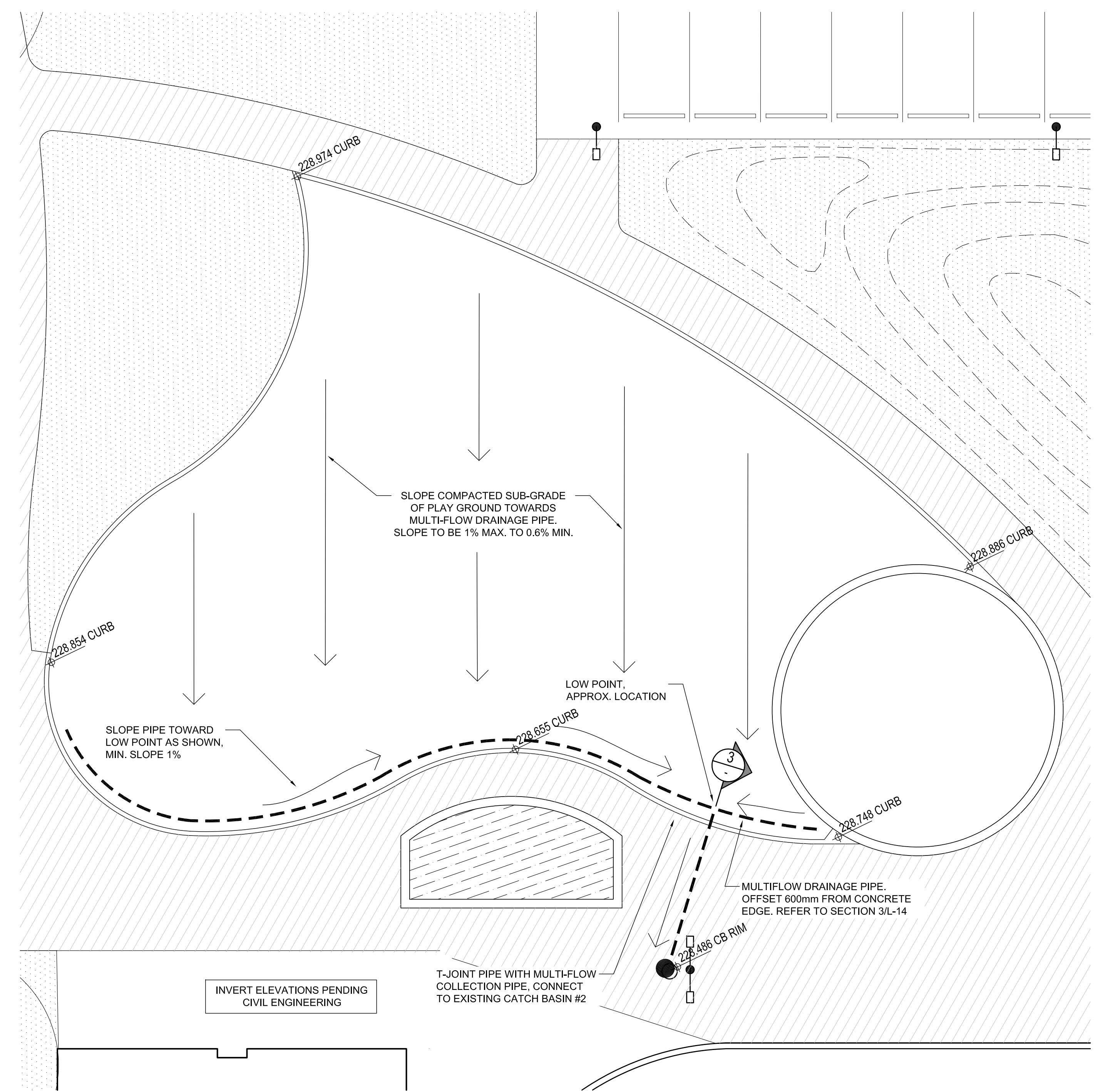
	ASPHALT PAVING - REFER TO DETAIL 5/L-18
	POURED IN PLACE CONCRETE / EXISTING ASPHALT, REFER TO NOTES
	WOOD FIBER SAFETY SURFACING
	PLANING BED
	SOD

**EXISTING ELEMENTS:**

	EXISTING TREE - TO BE PROTECTED
	EXISTING MAST LIGHT
	EXISTING ROAD / LANE LIGHT
	EXISTING CATCH BASIN
	EXISTING CHAIN LINK FENCE

**GENERAL LAYOUT NOTES:**

- ALL EXISTING TREES TO BE PROTECTED
- LAYOUT OF PATHWAYS AND POURED IN PLACE CONCRETE TO BE CONFIRMED ON SITE BY LANDSCAPE ARCHITECT PRIOR TO CONSTRUCTION.
- LOCATION OF ALL SITE FURNISHINGS, INCLUDING BENCHES, WASTE RECEPTACLES, FENCING, AND BIKE RACKS TO BE CONFIRMED ON SITE BY LANDSCAPE ARCHITECT PRIOR TO INSTALLATION.

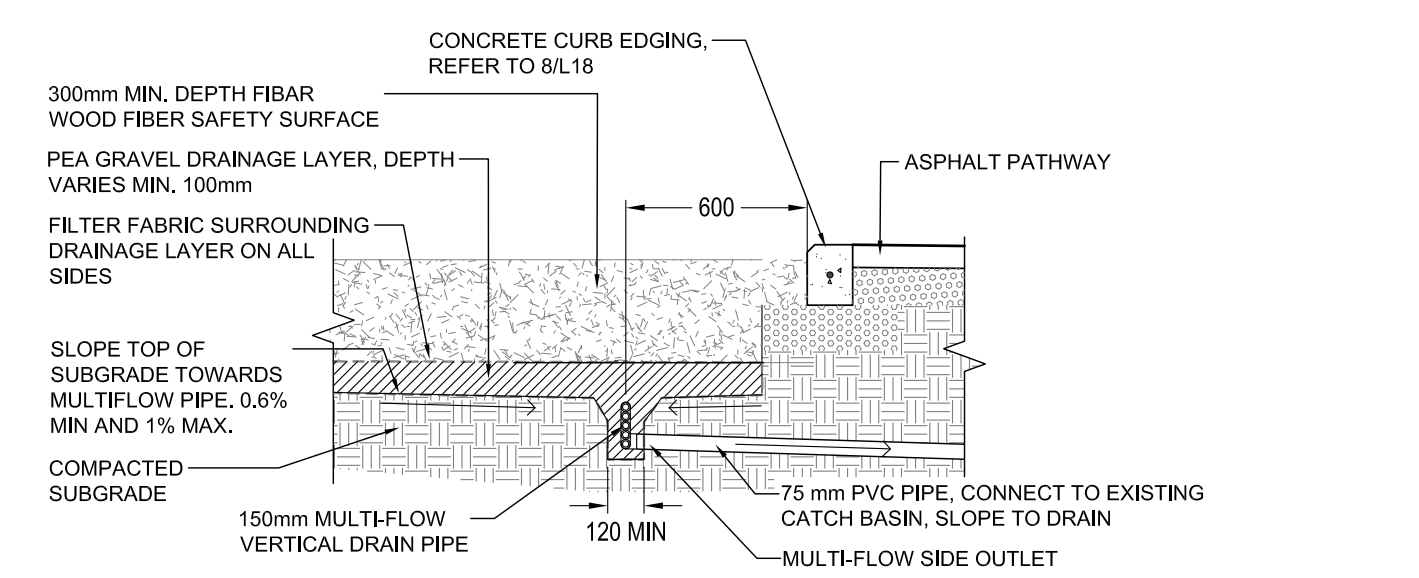


**2**  
**L14** **PLAYGROUND DRAINAGE - LAYOUT**  
SCALE - 1 : 100

**DRAINAGE NOTES:**

- ALL MULTIFLOW AND PIPE SIZING AND LAYOUT TO BE VERIFIED BY ENGINEER PRIOR TO CONSTRUCTION.

**3**  
**L14** **PLAYGROUND DRAINAGE - SECTION**  
SCALE - 1 : 25



REV	YY / MM / DD	DESCRIPTION	BY
1	12 / 08 / 16	ISSUED FOR TENDER	DKM
0	12 / 07 / 19	ISSUED FOR TENDER	DKM

A.	SECTION LETTER OR DETAIL NUMBER, B. DRAWING WHERE SECTION OR DETAIL IS DRAWN,
	OR
A.	DRAWING WHERE SECTION OR DETAIL IS INDICATED,
---	SECTION OR DETAIL SHOWN ON SAME DRAWING.

SEAL  
  
 DEREK K. MURRAY  
 Member no. 63

CLIENT  
  
 CITY OF WINNIPEG  
 PLANNING, PROPERTY AND DEVELOPMENT DEPARTMENT  
 300 - 65 GARRY ST. R3C 4K4

SCATLIFF+MILLER+MURRAY Inc.  
 TEL 204 927-3444 FAX 204 927-3443  
 1120 - 201 PORTAGE AVENUE WINNIPEG, MB, CANADA

PROJECT		KELVIN RECREATION SITE B.P.C.C.	
TITLE		PLAY AREA LAYOUT AND DRAINAGE	
DESIGN	DKM/CO	DATE - Y / M / D	12/07/19
DRAWN	AH/MB	SCALE	AS NOTED
CHECKED	APPROVED	PROJECT NO.	11-10107-22
DKM	DKM	DRAWING NO.	L-14