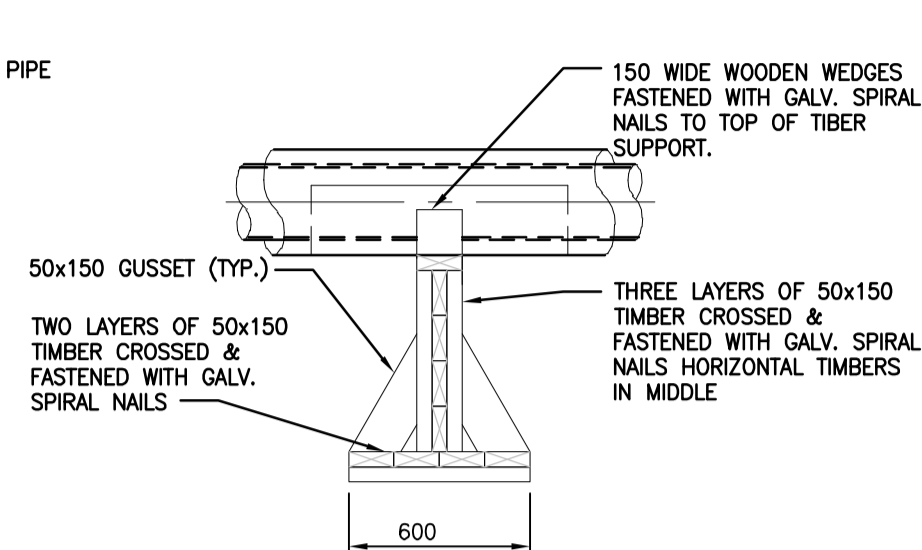
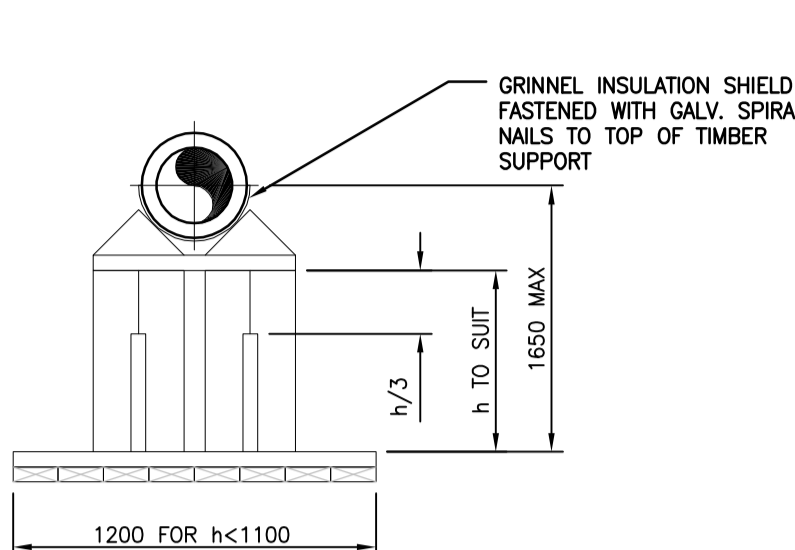


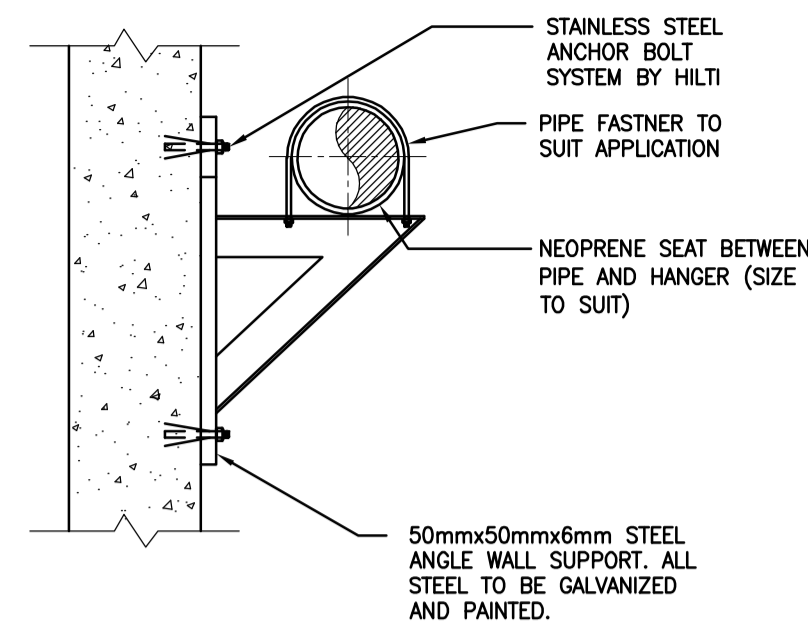
1 TIMBER SUPPORT FOR GAS PIPING ON ROOF DETAIL
1:25



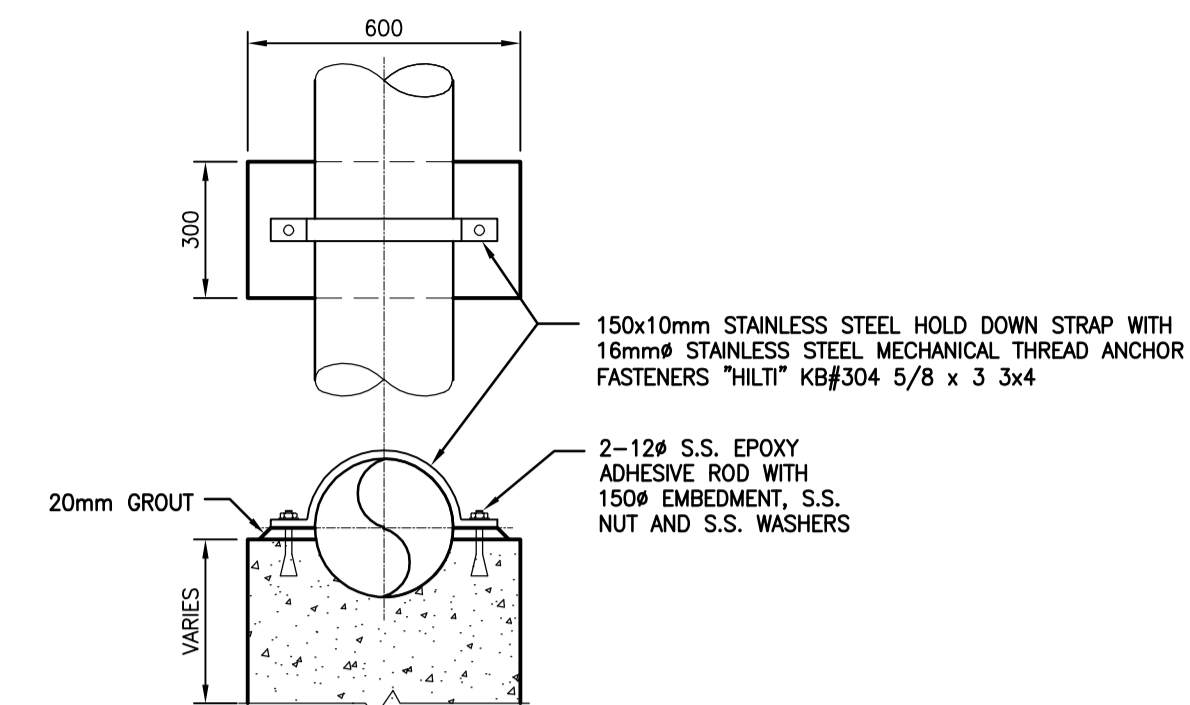
B SECTION
1:25



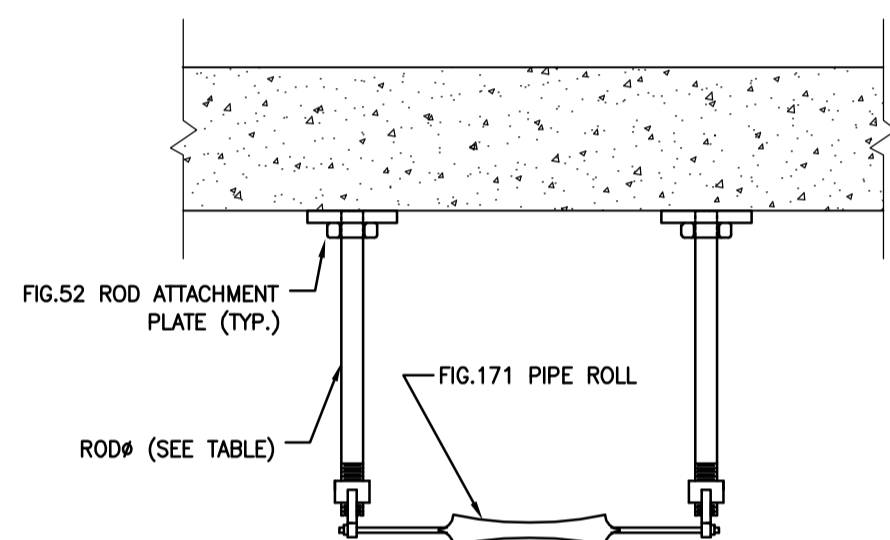
C SECTION
1:25



2 WALL MOUNTED PIPE SUPPORT DETAIL (TYP.)
1:25



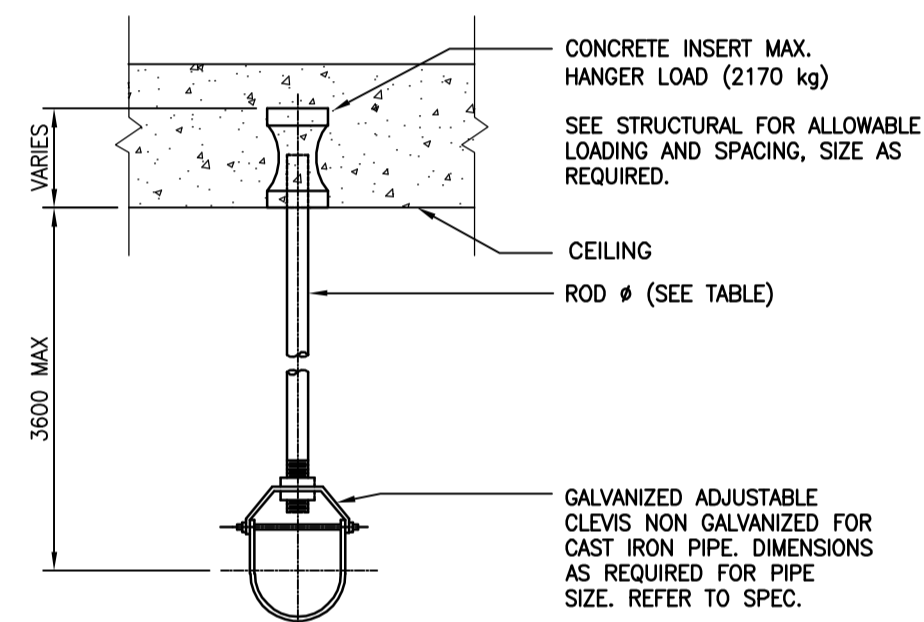
3 FLOOR MOUNTED PIPE SUPPORT DETAIL (TYP.)
1:25



PIPE SIZE (mm)	ROD SIZE (mm)	EMBED. (mm)
100	16.0	175
150	20.0	175
200	22.0	175
250	25.0	175
300	25.0	175
350	25.0	175
400	25.0	175
450	25.0	175
500	25.0	175
550	32.0	175
600	32.0	175

GRINNELL OR SIMILAR

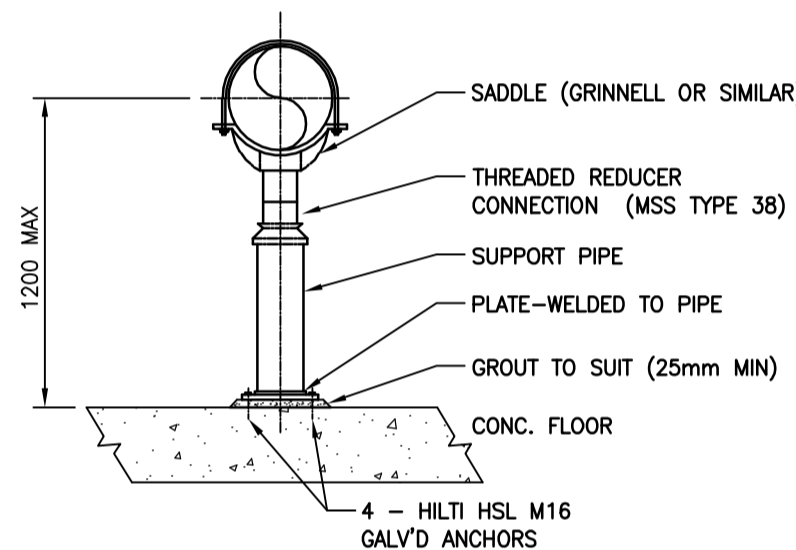
4 LARGE SINGLE PIPE HANGER DETAIL (GALVANIZED)
N.T.S.



PIPE SIZE (mm)	ROD SIZE (mm)	EMBED. (mm)	MAX LOAD (kg)
25	9.4	100	280
50	9.4	100	280
75	12.0	125	510
100	16.0	125	800

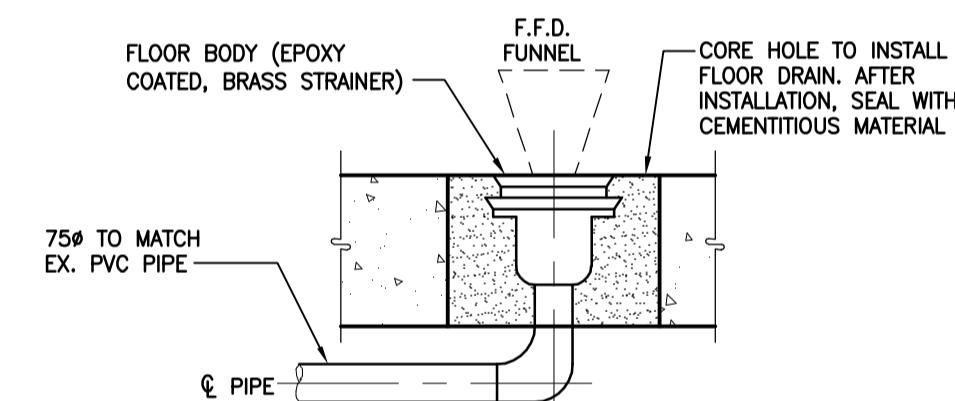
SAFETY FACTOR = 5
GRINNELL OR SIMILAR

5 SINGLE PIPE HANGER DETAIL
1:25

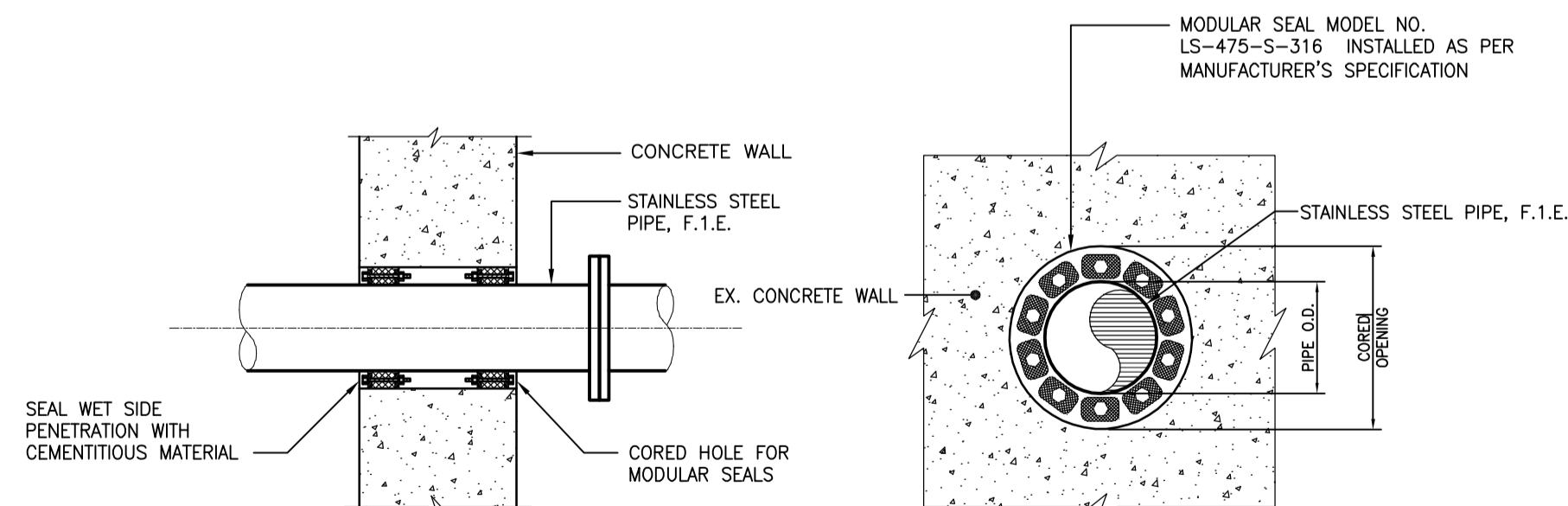


PIPE SIZE (mm)	SUPPORT PIPE (mm)	PLATE SIZE (mm)
50	38	150 X 150 X 9.5
75	50	250 X 250 X 9.5
100	75	250 X 250 X 9.5
150	100	250 X 250 X 9.5
200	150	250 X 250 X 9.5
250	200	300 X 300 X 9.5
500	150	450 X 450 X 9.5
600	150	450 X 450 X 9.5

6 ADJUSTABLE GALVANIZED PIPE SADDLE SUPPORT DETAIL
1:25



7 FLOOR DRAIN DETAIL
1:25
F.F.D. INCLUDES FUNNEL STRAINER



SS PIPE SIZE	ACTUAL O.D.	CORED OPENING DIA.	LINKS PER SEAL	LINK-SEAL MODEL No.
500	508.0	609.6	26	LS-475-S-316
600	609.6	711.2	31	LS-475-S-316

NOTE:
PROVIDE SS WALL MOUNTED PIPE SUPPORT ON BOTH SIDES OF DIGESTER WALL

8 LINK SEAL DETAIL
N.T.S.

METRIC
WHOLE NUMBERS INDICATE MILLIMETRES
DECIMALIZED NUMBERS INDICATE METRES

APECM
Certificate of Authorization
Stantec Consulting Ltd.
No. 1301

B.M. ELEV.					
DESIGNED BY	A.B.	CHECKED BY	S.A.B.		
DRAWN BY	R.J.H.	APPROVED BY	S.K.B.		
3. ISSUED FOR TENDER	12.11.01	S.K.B.			
2. ISSUED FOR 95% REVIEW	12.09.12	S.K.B.			
1. ISSUED FOR 60% REVIEW	12.07.27	S.K.B.			
NO. REVISIONS	DATE	BY	DATE	12.07.03	

ENGINEER'S SEAL
ORIGINAL SEALED BY
A.H. BEGHIN
P. ENG.
12/10/31
BID OPPORTUNITY NO.
573-2012

THE CITY OF WINNIPEG
WATER AND WASTE DEPARTMENT
Winnipeg
NORTH END WATER POLLUTION CONTROL CENTRE
REHABILITATION OF DIGESTER No. II AND
SLUDGE HOLDING TANK No. 5 AND 7
MISCELLANEOUS DETAILS
CITY DRAWING NUMBER
I-OI0ID-M00II-00I
SHEET OF
17 29